



# Iridium gen4 – Leading the way in road lighting comfort and convenience

## Iridium gen4

Iridium gen4, the fourth generation of the Iridium family, is completely redesigned and fully optimised for visual comfort and tool-less maintenance. The Iridium gen4 provides guidance through the clear curved bowl placed in each luminaire along the road. Optional is the offer with GentleBeam. This is a textured curved glass, which reduces glare and improves visual comfort, while maintaining a good lighting distribution. The luminaire holds a new plug and play GearFlex module. This ensures a simplified maintenance and spare part repair process. The complete redesigned luminaire has a tool less opening, similar to Luma gen2, containing all electrical components in an easy to handle and accessible box inside the housing. Besides, the cable feed-through has been redesigned and access to the gear components is easy thanks to top down tool-less access. Iridium gen4 offers all connectivity and dimming options available today. As System Ready luminaire, it can be paired with lighting management systems such as Interact City or existing and upcoming sensor innovations. Also, installation has become easier and faster, and thanks to Service tag, you have access to all relevant documentations onsite. As a company conscious about the impact of light on the environment and biodiversity, the Iridium gen4 is equipped with dedicated light recipes that help with maintaining optimal ecosystems for bats or preserve a dark night sky. Iridium gen4 is a luminaire rated as best in class regarding efficiency and light performance, compared to other luminaires in the range, in a broad range of applications.

# Iridium gen4

## Benefits

- Ease of maintenance and fast repair enablement with tool-less opening and GearFlex module. With Service tag immediate spare part identification.
- Road lighting guidance with a clear bowl and supporting visual comfort with GentleBeam
- System ready with SR socket to connect with Interact City lighting management software and third-party lighting management systems and sensors

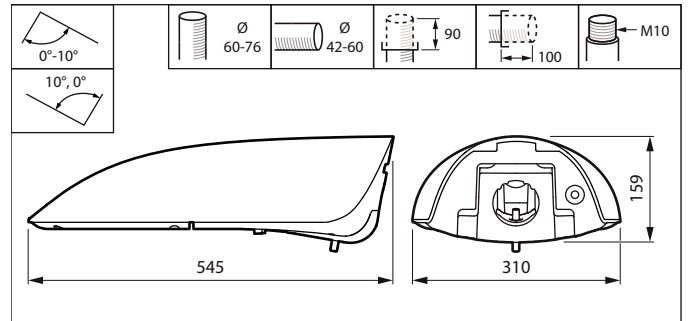
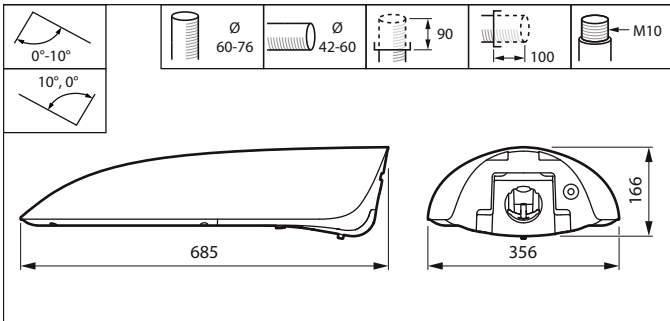
## Features

- New curved bowls for guidance lighting or visual comfort
- High impact resistance, IK10
- Equipped with dedicated light recipes that help 1) maintain the optimal ecosystems for bats 2) preserve a dark night sky and reduce light pollution
- Efficacy up to 155 lm/W
- Choice of 40+ different beams and the option of different internal louvres

## Application

- Motorways, main roads, boulevards and avenues, roundabouts, pedestrian crossings
- Residential streets, side streets, squares, parks, cycle and pedestrian paths, playgrounds
- Parking areas, industrial areas, airports, harbours, waterways

## Dimensional drawing



## Product details

BGP501 Iridium gen4 Mini FG



BGP502 Iridium gen4 Medium Open2



# Iridium gen4

## Product details

BGP501 Iridium gen4 Mini Open2



### General Information

CE mark	Yes
Driver included	Yes
Flammability mark	For mounting on normally flammable surfaces
Light source replaceable	Yes
Number of gear units	Unit

### Light Technical

Standard tilt angle side entry	0°
Standard tilt angle post-top	0°
Upwards light output ratio	0

### Controls and Dimming

Dimmable	Yes
----------	-----

### Mechanical and Housing

Housing Colour	Grey
----------------	------

### Approval and Application

Mech. impact protection code	IK10
Ingress protection code	IP66
Surge Protection (Common/Differential)	Luminaire surge protection level up to 6 kV differential mode and 6 kV common mode

### Over Time Performance (IEC Compliant)

Driver failure rate at 5,000 hours	0.5 %
------------------------------------	-------

### Application Conditions

Maximum dim level	Not applicable
-------------------	----------------

### General Information

Order Code	Full Product Name	Lamp family code	Product family code
05986300	BGP501 LED10-4S/740 DM11 FG GF SRTB SP	LED10-4S	BGP501
05987000	BGP501 LED20-4S/740 DM11 FG GF SRTB S05Z	LED20-4S	BGP501
05989400	BGP501 LED45-4S/740 II DW10 FG GF SRTB S	LED45-4S	BGP501
05991700	BGP501 LED10-4S/830 DW10 BL1 FG GF SRTB	LED10-4S	BGP501
05992400	BGP501 LED55-4S/740 II DM11 BL2 FG GF SR	LED55-4S	BGP501
05993100	BGP501 LED35-4S/740 DX10 FG GF D9 CLO H0	LED35-4S	BGP501
05997900	BGP501 LED18-4S/830 II DM10 PCC TXT GF	LED18-4S	BGP501
05999300	BGP502 LED45-4S/740 DM11 FG GF SRTB S05Z	LED45-4S	BGP502
06001200	BGP502 LED110-4S/740 II DW10 FG GF SRTB	LED110-4S	BGP502
06003600	BGP502 LED120-4S/830 DW10 BL1 FG GF SRTB	LED120-4S	BGP502
06005000	BGP502 LED160-4S/740 DX10 FG GF D9 CLO H	LED160-4S	BGP502

## Light Technical (1/2)

## Iridium gen4

Order Code	Full Product Name	Luminaire light beam spread	Light source colour	Correlated Colour Temperature	Optical cover type
05986300	BGP501 LED10-4S/740 DM11 FG GF SRTB SP	45° x 54°	740 neutral white	4000 K	Glass
05987000	BGP501 LED20-4S/740 DM11 FG GF SRTB S05Z	45° x 54°	740 neutral white	4000 K	Glass
05989400	BGP501 LED45-4S/740 II DW10 FG GF SRTB S	34° x 62°	740 neutral white	4000 K	Glass
05991700	BGP501 LED10-4S/830 DW10 BL1 FG GF SRTB	13° x 60°	830 warm white	3000 K	Glass
05992400	BGP501 LED55-4S/740 II DM11 BL2 FG GF SR	5° x 57°	740 neutral white	4000 K	Glass
05993100	BGP501 LED35-4S/740 DX10 FG GF D9 CLO H0	58 x 71°	740 neutral white	4000 K	Glass

Order Code	Full Product Name	Luminaire light beam spread	Light source colour	Correlated Colour Temperature	Optical cover type
05997900	BGP501 LED18-4S/830 II DM10 PCC TXT GF	38° x 56°	830 warm white	3000 K	Polycarbonate
05999300	BGP502 LED45-4S/740 DM11 FG GF SRTB S05Z	45° x 54°	740 neutral white	4000 K	Glass
06001200	BGP502 LED110-4S/740 II DW10 FG GF SRTB	34° x 62°	740 neutral white	4000 K	Glass
06003600	BGP502 LED120-4S/830 DW10 BL1 FG GF SRTB	13° x 60°	830 warm white	3000 K	Glass
06005000	BGP502 LED160-4S/740 DX10 FG GF D9 CLO H	58 x 71°	740 neutral white	4000 K	Glass

### Light Technical (2/2)

Order Code	Full Product Name	Colour rendering index (CRI)	Luminous Flux	Optic type outdoor
05986300	BGP501 LED10-4S/740 DM11 FG GF SRTB SP	>70	900 lm	Distribution medium 11
05987000	BGP501 LED20-4S/740 DM11 FG GF SRTB S05Z	>70	1,780 lm	Distribution medium 11
05989400	BGP501 LED45-4S/740 II DW10 FG GF SRTB S	>70	3,960 lm	Distribution wide 10
05991700	BGP501 LED10-4S/830 DW10 BL1 FG GF SRTB	>80	910 lm	Distribution wide 10
05992400	BGP501 LED55-4S/740 II DM11 BL2 FG GF SR	>70	4,576 lm	Distribution medium 11
05993100	BGP501 LED35-4S/740 DX10 FG GF D9 CLO H0	>70	2,890 lm	Distribution extra-wide 10

Order Code	Full Product Name	Colour rendering index (CRI)	Luminous Flux	Optic type outdoor
05997900	BGP501 LED18-4S/830 II DM10 PCC TXT GF	>80	1,584 lm	Distribution medium 10
05999300	BGP502 LED45-4S/740 DM11 FG GF SRTB S05Z	>70	4,050 lm	Distribution medium 11
06001200	BGP502 LED110-4S/740 II DW10 FG GF SRTB	>70	9,570 lm	Distribution wide 10
06003600	BGP502 LED120-4S/830 DW10 BL1 FG GF SRTB	>80	9,890 lm	Distribution wide 10
06005000	BGP502 LED160-4S/740 DX10 FG GF D9 CLO H	>70	12,245 lm	Distribution extra-wide 10

### Operating and Electrical

Order Code	Full Product Name	Power Consumption
05986300	BGP501 LED10-4S/740 DM11 FG GF SRTB SP	7.3 W
05987000	BGP501 LED20-4S/740 DM11 FG GF SRTB S05Z	13.2 W
05989400	BGP501 LED45-4S/740 II DW10 FG GF SRTB S	27.5 W

Order Code	Full Product Name	Power Consumption
05991700	BGP501 LED10-4S/830 DW10 BL1 FG GF SRTB	8.9 W
05992400	BGP501 LED55-4S/740 II DM11 BL2 FG GF SR	34 W
05993100	BGP501 LED35-4S/740 DX10 FG GF D9 CLO H0	21 W

# Iridium gen4

Order Code	Full Product Name	Power Consumption
05997900	BGP501 LED18-4S/830 II DM10 PCC TXT GF	14.8 W
05999300	BGP502 LED45-4S/740 DM11 FG GF SRTB S05Z	28 W
06001200	BGP502 LED110-4S/740 II DW10 FG GF SRTB	63 W

Order Code	Full Product Name	Power Consumption
06003600	BGP502 LED120-4S/830 DW10 BL1 FG GF SRTB	79 W
06005000	BGP502 LED160-4S/740 DX10 FG GF D9 CLO H	90 W

## Polar Wide Diagrams

Polar Normal (separate) - BGP501I -  
910925866555

Polar Normal (separate) - BGP502I -  
910925866573

Polar Normal (separate) - BGP501I -  
910925866560

Polar Normal (separate) - BGP501I -  
910925866559

Polar Normal (separate) - BGP501I -  
910925866564

Polar Normal (separate) - BGP501I -  
910925866562

Polar Normal (separate) - BGP502I -  
910925866571

Polar Normal (separate) - BGP501I -  
910925866565

Polar Normal (separate) - BGP502I -  
910925866567

## Iridium gen4

### Polar Wide Diagrams

Polar Normal (separate) - BGP501I -  
910925866554

Polar Normal (separate) - BGP502I -  
910925866569

