

ArenaVision LED gen3.5 – Revolutionizing the pitch-lighting experience

ArenaVision LED gen3.5

The Philips ArenaVision LED floodlighting system is an innovative LED pitch-lighting solution supporting the latest TV broadcasting standards. Designed exclusively for sports and multi-purpose venues, ArenaVision LED offers outstanding light quality, effective thermal management and long lifetime. When combined with control applications such as the InteractSports lighting management system, ArenaVision LED can simplify the delivery of the right illumination by scheduling or through real-time adjustments and can be used to create customised light shows before, during and after the main event. To ensure optimised use for both indoor and outdoor applications, the floodlight range includes two single piece pressure die cast housing versions, hosting 2 and 3 LED engines respectively. These versions also function with an external driver box – separate for use at a distance from the floodlight (BV version), or pre-fixed onto the mounting bracket of the floodlight (HGB version). This external driver box ensures ease of installation and lower initial cost.

ArenaVision LED gen3.5

Benefits

- Maximum design flexibility to fit different stadium architectures and high lighting quality – compliant with international broadcasting standards for any type of sports
- The single High-Power IP66 rated, DMX driver enables ArenaVision LED to be connected to the Interact Sports lighting management system, thereby enabling remote light management and creation of dynamic light shows
- While delivering maximum light output the floodlight has an excellent thermal management system, which in combination with its low weight and IP66 rating helps maximize lifetime and minimize maintenance costs for both new built and retrofit installations
- Equipped with Service tag, a QR-based identification system that makes each luminaire uniquely identifiable and provides maintenance, installation and spare part information

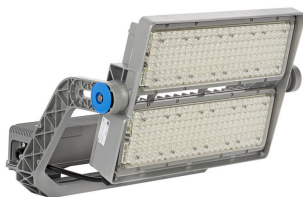
Features

- Single piece pressure die cast housing, with a protection level of IP66 against dust and water
- Wide range of asymmetrical and symmetrical optics ensuring low glare and best in class lighting uniformity exceeding the requirements of all types of sports lighting level standards
- Wide range of ambient temperature tolerance making it suitable for a variety of sports applications
- Option to add additional accessories to achieve best in class glare and up-light control
- Programmable DMX Driver to enable programming and integration with entertainment lighting fixtures and other Interact Sports applications

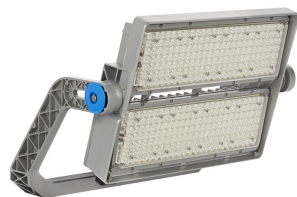
Application

- Outdoor arenas, stadiums and Racing tracks (Cricket, Football, Rugby, Tennis, Hockey, Golf, Ice skating, Horse racing, F1 racing, Athletics, etc.)
- Indoor sports arenas and halls (Swimming pools, Velodromes, Basketball, Ice hockey, etc.)
- Multiple and multipurpose sports facilities and arenas

Versions



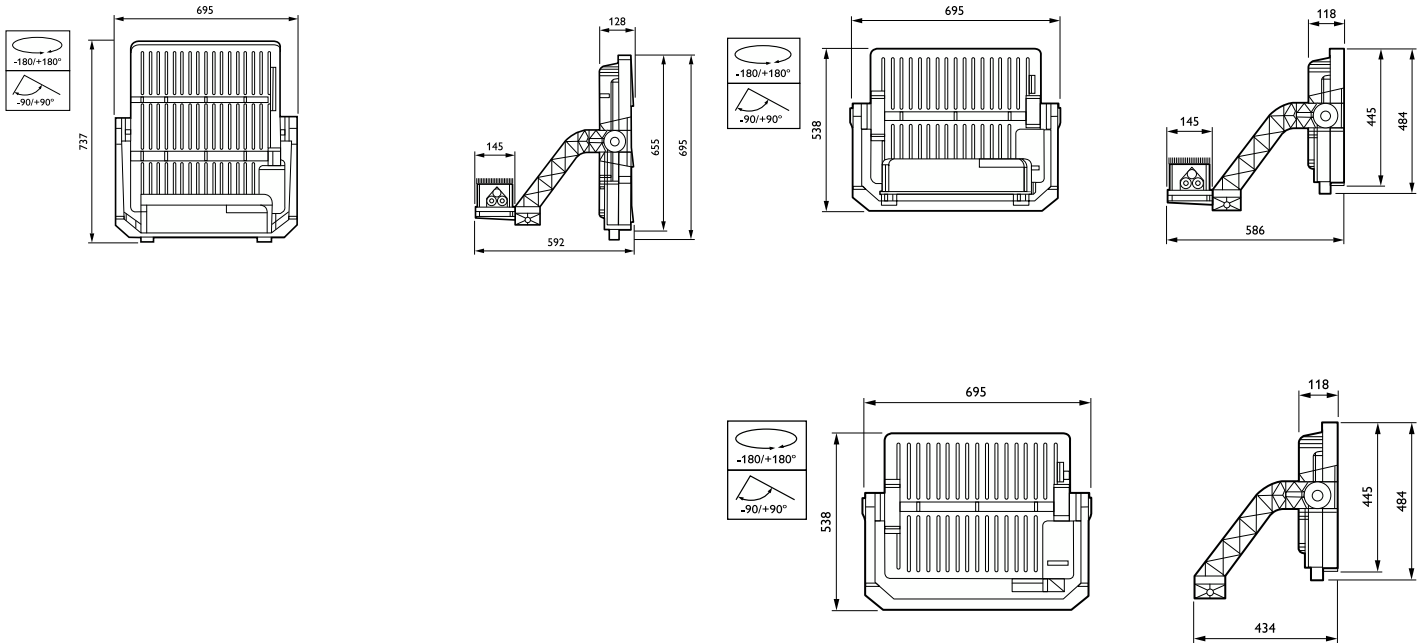
ArenaVision LED gen3 5



ArenaVision LED gen3 5

ArenaVision LED gen3.5

Dimensional drawing



ArenaVision LED gen3.5

General Information	
CE mark	CE mark
Driver included	Yes
Flammability mark	-
Number of gear units	1 unit
Service tag	Yes
Light Technical	
Luminaire light beam spread	2° x 10°
Correlated Color Temperature (Nom)	5700 K
Optical cover type	Polycarbonate bowl/cover clear
Optic type outdoor	Symmetrical
Standard tilt angle side entry	-
Standard tilt angle posttop	0°
Upward light output ratio	0
Controls and Dimming	
Dimmable	Yes
Mechanical and Housing	
Housing Color	Aluminum
Approval and Application	
Mech. impact protection code	IK08
Ingress protection code	IP66
Surge Protection (Common/ Differential)	Surge protection level until 10 kV differential mode

General Information

Order Code	Full Product Name	Lamp family code	Product family code
55300200	BVP418 1470/957 HGB S2 T35 OUT PSDMX	LED1470	BVP418
55304000	BVP418 1650/857 HGB S2 T35 OUT PSDMX	LED1650	BVP418
55306400	BVP418 1720/757 HGB S2 T35 OUT PSDMX	LED1720	BVP418
55308800	BVP428 2200/957 BV S2 T35 OUT PSDMX	LED2200	BVP428
55312500	BVP428 2470/857 BV S2 T35 OUT PSDMX	LED2500	BVP428
55315600	BVP428 2590/757 BV S2 T35 OUT PSDMX	LED2600	BVP428
55299900	BVP418 1470/957 BV S2 T35 OUT PSDMX	LED1470	BVP418
55302600	BVP418 1650/857 BV S2 T35 OUT PSDMX	LED1650	BVP418
55305700	BVP418 1720/757 BV S2 T35 OUT PSDMX	LED1720	BVP418
55310100	BVP428 2200/957 HGB S2 T35 OUT PSDMX	LED2200	BVP428
55314900	BVP428 2470/857 HGB S2 T35 OUT PSDMX	LED2500	BVP428
55316300	BVP428 2590/757 HGB S2 T35 OUT PSDMX	LED2600	BVP428

Light Technical

Order Code	Full Product Name	Light source color	Color rendering index (CRI)	Luminous Flux
55300200	BVP418 1470/957 HGB S2 T35 OUT PSDMX	957 cool white	>90	130,830 lm
55304000	BVP418 1650/857 HGB S2 T35 OUT PSDMX	857 daylight	>80	145,200 lm
55306400	BVP418 1720/757 HGB S2 T35 OUT PSDMX	757 cool white	>70	151,360 lm
55308800	BVP428 2200/957 BV S2 T35 OUT PSDMX	957 cool white	>90	193,600 lm
55312500	BVP428 2470/857 BV S2 T35 OUT PSDMX	857 daylight	>80	217,360 lm
55315600	BVP428 2590/757 BV S2 T35 OUT PSDMX	757 cool white	>70	227,920 lm

Order Code	Full Product Name	Light source color	Color rendering index (CRI)	Luminous Flux
55299900	BVP418 1470/957 BV S2 T35 OUT PSDMX	957 cool white	>90	130,830 lm
55302600	BVP418 1650/857 BV S2 T35 OUT PSDMX	857 daylight	>80	145,200 lm
55305700	BVP418 1720/757 BV S2 T35 OUT PSDMX	757 cool white	>70	151,360 lm
55310100	BVP428 2200/957 HGB S2 T35 OUT PSDMX	957 cool white	>90	193,600 lm
55314900	BVP428 2470/857 HGB S2 T35 OUT PSDMX	857 daylight	>80	217,360 lm
55316300	BVP428 2590/757 HGB S2 T35 OUT PSDMX	757 cool white	>70	227,920 lm

Operating and Electrical

Order Code	Full Product Name	Power Consumption
55300200	BVP418 1470/957 HGB S2 T35 OUT PSDMX	1,010 W

Order Code	Full Product Name	Power Consumption
55304000	BVP418 1650/857 HGB S2 T35 OUT PSDMX	1,010 W

ArenaVision LED gen3.5

Order Code	Full Product Name	Power Consumption
55306400	BVP418 1720/757 HGB S2 T35 OUT PSDMX	1,010 W
55308800	BVP428 2200/957 BV S2 T35 OUT PSDMX	1,500 W
55312500	BVP428 2470/857 BV S2 T35 OUT PSDMX	1,500 W
55315600	BVP428 2590/757 BV S2 T35 OUT PSDMX	1,500 W
55299900	BVP418 1470/957 BV S2 T35 OUT PSDMX	1,010 W

Order Code	Full Product Name	Power Consumption
55302600	BVP418 1650/857 BV S2 T35 OUT PSDMX	1,010 W
55305700	BVP418 1720/757 BV S2 T35 OUT PSDMX	1,010 W
55310100	BVP428 2200/957 HGB S2 T35 OUT PSDMX	1,500 W
55314900	BVP428 2470/857 HGB S2 T35 OUT PSDMX	1,500 W
55316300	BVP428 2590/757 HGB S2 T35 OUT PSDMX	1,500 W

