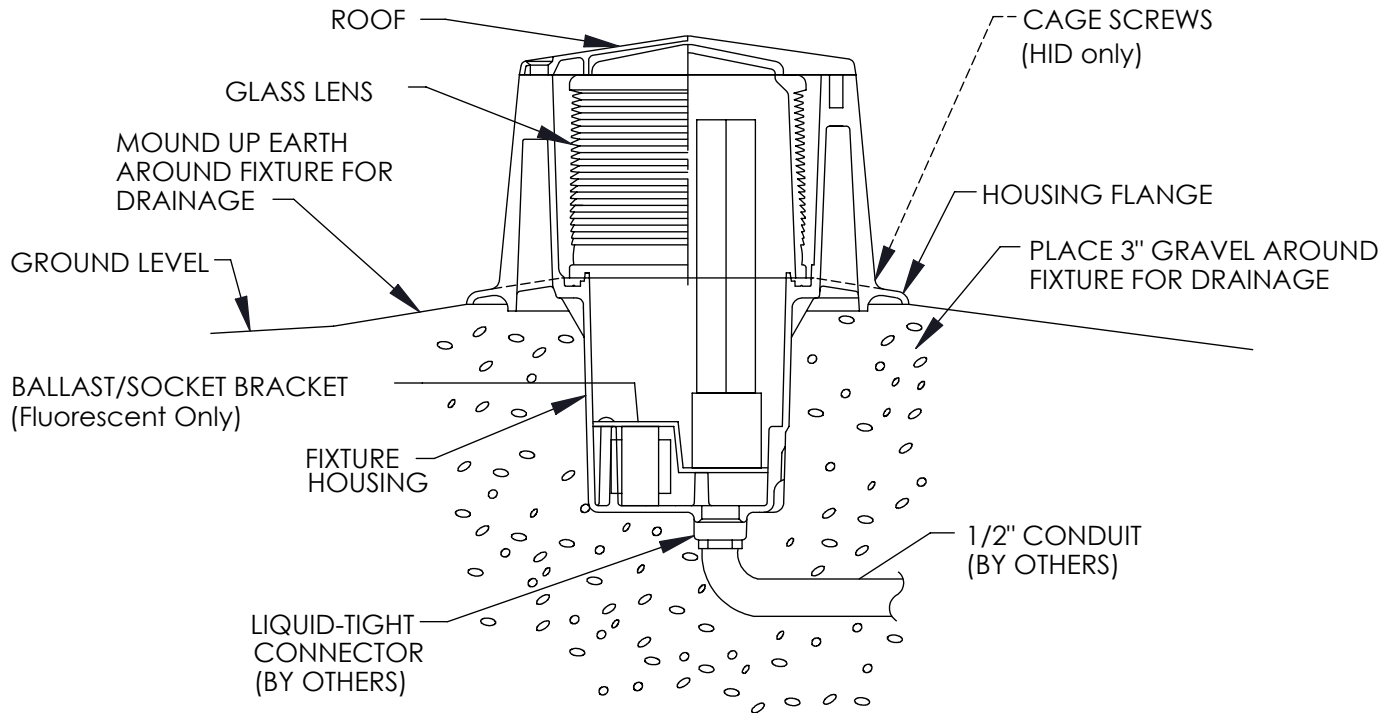


# INSTALLATION INSTRUCTIONS: FOR INGROUND BEACONS 1010, 1012, 1019



## INSTALLATION INSTRUCTIONS

Excavate soil for fixture placement and conduit runs. Contour the hole to the shape of the fixture housing, allowing an additional 3" min. around and under the housing for placement of granular material. Choose the appropriate following instructions for your fixture to wire or relamp.

### All HID Fixtures:

Remove (4) cage screws, and lift fixture/ballast assembly up and out of housing. Connect conduit to fixture using following instructions. Wire fixture according to NEC and local electrical codes. Replace fixture/ballast assembly and (4) cage screws. Remove roof screws, roof, and lens. Install specified lamp. Replace lens, roof, and screws.

### All FLUORESCENT, & Composite INCANDESCENT Fixtures:

Remove roof screws, roof, and lens. Remove (2) screws from socket bracket, and pull socket/ballast assembly out of fixture. Connect conduit to fixtures using following instructions. Wire fixture according to NEC and local electrical codes. Replace socket/ballast assembly and (2) screws. Install specified lamp. Replace lens, roof, and roof screws.

### Aluminum and Bronze INCANDESCENT Fixtures:

Remove (3) roof screws, roof, and lens. Remove the socket. Connect conduit to fixture using the following instructions. Wire fixture according to NEC and local electrical codes. Replace the socket and install the specified lamp. Replace the lens, roof, and roof screws.



This fixture is intended for installation in accordance with the National Electrical Code and local code specifications. Failure to adhere to these codes and instructions may result in serious injury and/or damage to the ballast and void the warranty. These instructions do not purport to cover all details or variations in equipment, nor to provide for every possible contingency related to installation, operation, maintenance, or mounting situation. Should specific problems occur that are not addressed by these instructions, contact your Sales Representative or distributor for assistance. Retain these instructions for future reference.

## CONDUIT CONNECTION

Connect conduit fitting(s) to the housing using a thread sealant, and tighten to 16 ft-lbs max. using a torque wrench. Improper torque procedure may cause damage to the fixture housing and void the warranty. To prevent water entry into the fixture, conduit entries must be sealed and potted. HADCO recommends potting the wiring splice compartment with two part epoxy (#10000049, available from HADCO) or equivalent.

## IMPORTANT!

All gasket seating surfaces must be clean and free of debris before attempting to replace the cage, lens, or roof. If debris in gasket areas or screw holes prevents the proper sealing of gaskets, it must be blown clear, or holes may be cleared with a tap drill. When replacing the roof, use an alternating torque sequence of 20-30 inch-lbs.

When backfilling, housing flange should be just above ground level as shown in the illustration. Fixture housing should be surrounded by a 3" minimum layer of sand or gravel to insure proper drainage. For concrete pour installations, the housing is to be placed on a 4" min. bed of gravel with soil below. It is recommended that fixtures not be placed in low locations where water could accumulate and stand for long periods of time. When installing fixtures, hilling up earth around the fixture will promote good water run-off and prevent debris accumulation.

## CAUTION!

Always turn power OFF before installing or servicing a fixture.

Fixtures must not be installed in insulating materials such as vermiculite or bark, etc. for the full depth of the fixtures. Installation in these materials may cause the fixture to overheat and void the warranty. Surface use of these materials is acceptable.

Fixtures must be regularly maintained and cleared of leaves, mulch, and other debris to avoid the risk of fire.