

# Day-Brite CFI

by  Signify

## Recessed

T-Grid LED  
troffer 1x4

2200, 3200, 4200 or  
5000 lumens



Project: \_\_\_\_\_  
 Location: \_\_\_\_\_  
 Cat.No: \_\_\_\_\_  
 Type: \_\_\_\_\_  
 Lamps: \_\_\_\_\_ Qty: \_\_\_\_\_  
 Notes: \_\_\_\_\_

Day-Brite / CFI T-Grid LED troffer is an energy efficient low profile luminaire offering excellent performance for general lighting applications such as offices, schools, healthcare, or retail. Featuring a frosted prismatic lens to enhance visual comfort, the T-Grid LED Troffer utilizes highly reliable and efficient Philips LED platform boards and dimmable driver, enabling market leading efficiency in its category.

### Ordering guide

Example: 1TG32L840-4-FS-02F-UNV-DIM

| Width | Family               | Ceiling Type | Lumen Package  | Color Temp.  | Length | Door Frame    | Lens   | Voltage  | Driver  | Options   |
|-------|----------------------|--------------|--|--|--------|---------------|--|--|---|---|
| 1     | T                    | G            |  | —  | 4      | —             | —  | —  | —   |   |
| 1' 1' | T T-Grid LED troffer | G Grid       | <b>22L</b> 2200 nominal delivered lumens<br><b>32L</b> 3200 nominal delivered lumens<br><b>42L</b> 4200 nominal delivered lumens<br><b>50L</b> 5000 nominal delivered lumens | <b>830</b> 80 CRI, 3000K<br><b>835</b> 80 CRI, 3500K<br><b>840</b> 80 CRI, 4000K<br><b>850</b> 80 CRI, 5000K | 4' 4'  | FS Flat Steel | <b>02F</b> Pattern 12, .100" nominal diffuse 50%<br><b>12F</b> DB 12 .125" nominal diffuse 50%<br><b>19F</b> DB 19 .156" nominal diffuse 50% | <b>UNV</b> Universal Voltage 120-277V<br><b>347</b> 347V | <b>DIM</b> 0-10V dimming<br><b>SDIM</b> Step dimming to 40% input power | <b>F1</b> 3/8" flex, 3 wire, 18 gauge 6'<br><b>F2</b> 3/8" flex, 4 wire, 18 gauge 6'<br><b>F1/D</b> 3/8" twin flex, 3 wire, 18 gauge 6', for dimmable luminaires<br><b>F2/5W</b> 3/8" single flex, 5 wire, 18 gauge 6', for dimmable luminaires<br><b>EMLED<sup>1</sup></b> Integral emergency battery pack<br><b>1W</b> 1-way gasket between lens & door frame (not avail. for RA door frame)<br><b>2W</b> 1-way & gasket between door frame & housing<br><b>3W</b> 2-way & gasket between housing & ceiling (field installed)<br><b>GLR</b> Fusing, fast blow<br><b>CHIC</b> Chicago Plenum rated<br><b>DSC</b> Quick driver disconnect |

### Footnotes

1 1100 nominal lumens delivered in DC mode

### Accessories (order separately)

- **FMA14** – 1'x4' "F" mounting frame for NEMA "F" mounting
- **GCP** – Grid clip pack (1'x4')



# 1TG T-Grid LED troffer 1x4

2200, 3200, 4200 or 5000 lumens

## Application

- High efficacy long life solid state lighting platform.
- General lighting distribution is excellent for ambient lighting.
- High CRI source provides excellent color rendering.
- LEDs are an excellent source for use with controls since frequent switching does not affect the life of a light source.

## Construction/finish

- Quality recessed troffer for the following "NEMA" ceiling types: NEMA "G"-Grid, NEMA "NFSG"-Narrow Faced Slot Grid, NEMA "GR"-Grid Regressed, NEMA "NFG"-Narrow Faced Grid.
- Field assembled and installed "F" mounting Frame adapts fixture for use in NEMA "F" ceilings requiring flanges.
- Housing is constructed of pre-painted steel.
- Troffer body die-formed CR steel with reinforcing ribs for rigidity.
- 7/8 K.O.'s provided in each end cap and quick wire access plate in housing top with two 7/8 K.O.'s provided.
- Snap on wireway cover.

- T-bar clips are not integral to the luminaire, and must be ordered separately.
- Low profile body minimizes clearance required.
- All units have wire hanger tabs for independent wire suspension.

## Electrical

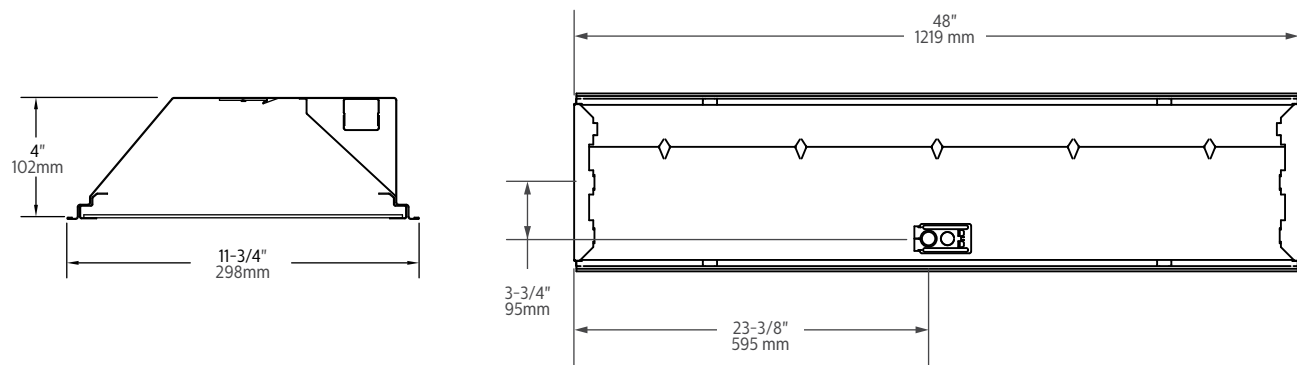
- Standard 0-10V dimming.
- Driver and LED boards are accessible from below. LED boards are individually replaceable if required.
- Five-year luminaire limited warranty including LED boards and driver. Visit [www.philips.com/warranties](http://www.philips.com/warranties) for complete warranty information.
- High efficiency LEDs have 50,000 hour rated life (defined by testing at 70% lumen maintenance (L70)), based on 25°C ambient operating temperature.
- UL listed, suitable for damp locations.
- No exposed internal wiring.
- cETLus listed to UL and CSA standards, suitable for damp location.

- Many luminaire components, such as reflectors, refractors, lenses, sockets, lampholders, and LEDs are made from various types of plastics which can be adversely affected by airborne contaminants. If sulfur based chemicals, petroleum based products, cleaning solutions, or other contaminants are expected in the intended area of use, consult factory for compatibility.

## Enclosure

- Flat steel door frame has mitered corners.
- Hinged and latched (from either side) door frame.
- Mechanically designed interlocks eliminate light leaks.
- White (standard) or black (optional) door frames available.
- Diffuser is clear color stabilized 100% prismatic acrylic.

## Dimensions



# 1TG T-Grid LED troffer 1x4

2200, 3200, 4200 or 5000 lumens

## Photometry

### 1x4 T-Grid LED troffer, 2200 nominal delivered lumens

### LER – 106

|   |                    |            |           |              |   |               |                    |                          |            |            |              |     |  |  |  |  |
|---|--------------------|------------|-----------|--------------|---|---------------|--------------------|--------------------------|------------|------------|--------------|-----|--|--|--|--|
| <b>Catalog No.</b> 1TG22L840-4-FS-02F-UNV<br><b>Test No.</b> 33591<br><b>S/MH</b> 1.1<br><b>Lamp Type</b> LED<br><b>Lumens</b> 2284<br><b>Input Watts</b> 21.6<br><br>Comparative yearly lighting energy cost per 1000 lumens – <b>\$2.26</b> based on 3000 hrs. and \$.08 pwr KWH.<br><br>The photometric results were obtained in the Day-Brite laboratory which is NVLAP accredited by the National Institute of Standards and Technology.<br><br>Photometric values based on test performed in compliance with LM-79. | <b>Candlepower</b> |            |           |              | <b>Light Distribution</b>                                   |               |                    | <b>Average Luminance</b> |            |            |              |     |  |  |  |  |
|   | <b>Angle</b>       | <b>End</b> | <b>45</b> | <b>Cross</b> | <b>Degrees</b>  | <b>Lumens</b> | <b>% Luminaire</b> | <b>Angle</b>             | <b>End</b> | <b>45°</b> | <b>Cross</b> |     |  |  |  |  |
|   | 0                  | 1055       | 1055      | 1055         | 0-30  | 789           | 34.5               | 45                       | 2672       | 2448       | 2252         |     |  |  |  |  |
|   | 5                  | 1045       | 1049      | 1051         | 0-40  | 1235          | 54.1               | 55                       | 2197       | 1911       | 1733         |     |  |  |  |  |
|   | 15                 | 998        | 1000      | 996          | 0-60  | 1924          | 84.3               | 65                       | 1794       | 1503       | 1424         |     |  |  |  |  |
|   | 25                 | 897        | 886       | 873          | 0-90  | 2283          | 100.0              | 75                       | 1709       | 1385       | 1356         |     |  |  |  |  |
|   | 35                 | 744        | 715       | 685          |   |               |                    | 85                       | 1981       | 1425       | 1397         |     |  |  |  |  |
|   | 45                 | 558        | 511       | 470          | <b>Coefficients of Utilization</b>                          |               |                    |                          |            |            |              |     |  |  |  |  |
|   | 55                 | 372        | 324       | 294          | <b>EFFECTIVE FLOOR CAVITY REFLECTANCE 20 PER (pfc=0.20)</b> |               |                    |                          |            |            |              |     |  |  |  |  |
|   | 65                 | 224        | 188       | 178          | pcc   | 80            |                    |                          | 70         |            |              | 50  |  |  |  |  |
| 75  | 131                | 106        | 104       | pw           | 70  | 50            | 30                 | 70                       | 50         | 30         | 50           | 30  |  |  |  |  |
| 85  | 51                 | 37         | 36        | RCR          |   |               |                    |                          |            |            |              |     |  |  |  |  |
|   |                    |            |           | 0            | 118   | 118           | 118                | 115                      | 115        | 115        | 111          | 111 |  |  |  |  |
|   |                    |            |           | 1            | 110   | 105           | 101                | 107                      | 103        | 98         | 98           | 95  |  |  |  |  |
|   |                    |            |           | 2            | 101   | 93            | 86                 | 97                       | 91         | 84         | 88           | 82  |  |  |  |  |
|   |                    |            |           | 3            | 93  | 82            | 75                 | 90                       | 81         | 73         | 78           | 71  |  |  |  |  |
|   |                    |            |           | 4            | 84  | 73            | 66                 | 82                       | 72         | 65         | 69           | 64  |  |  |  |  |
|   |                    |            |           | 5            | 79  | 67            | 58                 | 77                       | 66         | 57         | 64           | 56  |  |  |  |  |
|   |                    |            |           | 6            | 72  | 60            | 52                 | 71                       | 59         | 52         | 57           | 51  |  |  |  |  |
|   |                    |            |           | 7            | 68  | 56            | 46                 | 67                       | 55         | 46         | 53           | 46  |  |  |  |  |
|   |                    |            |           | 8            | 64  | 51            | 42                 | 61                       | 50         | 42         | 48           | 41  |  |  |  |  |
|   |                    |            |           | 9            | 59  | 46            | 39                 | 58                       | 46         | 39         | 45           | 39  |  |  |  |  |
|   |                    |            |           | 10           | 56  | 44            | 35                 | 55                       | 42         | 35         | 41           | 35  |  |  |  |  |

### 1x4 T-Grid LED troffer, 3200 nominal delivered lumens

### LER – 104

|   |                    |            |           |              |   |               |                    |                          |            |            |              |     |  |  |  |  |
|---|--------------------|------------|-----------|--------------|---|---------------|--------------------|--------------------------|------------|------------|--------------|-----|--|--|--|--|
| <b>Catalog No.</b> 1TG32L840-4-FS-02F-UNV<br><b>Test No.</b> 33592<br><b>S/MH</b> 1.1<br><b>Lamp Type</b> LED<br><b>Lumens</b> 3163<br><b>Input Watts</b> 30.4<br><br>Comparative yearly lighting energy cost per 1000 lumens – <b>\$2.31</b> based on 3000 hrs. and \$.08 pwr KWH.<br><br>The photometric results were obtained in the Day-Brite laboratory which is NVLAP accredited by the National Institute of Standards and Technology.<br><br>Photometric values based on test performed in compliance with LM-79. | <b>Candlepower</b> |            |           |              | <b>Light Distribution</b>                                   |               |                    | <b>Average Luminance</b> |            |            |              |     |  |  |  |  |
|   | <b>Angle</b>       | <b>End</b> | <b>45</b> | <b>Cross</b> | <b>Degrees</b>  | <b>Lumens</b> | <b>% Luminaire</b> | <b>Angle</b>             | <b>End</b> | <b>45°</b> | <b>Cross</b> |     |  |  |  |  |
|   | 0                  | 1460       | 1460      | 1460         | 0-30  | 1092          | 34.5               | 45                       | 3698       | 3398       | 3118         |     |  |  |  |  |
|   | 5                  | 1447       | 1452      | 1455         | 0-40  | 1709          | 54.1               | 55                       | 3040       | 2650       | 2399         |     |  |  |  |  |
|   | 15                 | 1380       | 1384      | 1378         | 0-60  | 2664          | 84.2               | 65                       | 2483       | 2090       | 1970         |     |  |  |  |  |
|   | 25                 | 1240       | 1228      | 1208         | 0-90  | 3161          | 100.0              | 75                       | 2371       | 1925       | 1877         |     |  |  |  |  |
|   | 35                 | 1029       | 992       | 948          |   |               |                    | 85                       | 2730       | 1990       | 1909         |     |  |  |  |  |
|   | 45                 | 772        | 710       | 651          | <b>Coefficients of Utilization</b>                          |               |                    |                          |            |            |              |     |  |  |  |  |
|   | 55                 | 515        | 449       | 406          | <b>EFFECTIVE FLOOR CAVITY REFLECTANCE 20 PER (pfc=0.20)</b> |               |                    |                          |            |            |              |     |  |  |  |  |
|   | 65                 | 310        | 261       | 246          | pcc   | 80            |                    |                          | 70         |            |              | 50  |  |  |  |  |
| 75  | 181                | 147        | 143       | pw           | 70  | 50            | 30                 | 70                       | 50         | 30         | 50           | 30  |  |  |  |  |
| 85  | 70                 | 51         | 49        | RCR          |   |               |                    |                          |            |            |              |     |  |  |  |  |
|   |                    |            |           | 0            | 118   | 118           | 118                | 115                      | 115        | 115        | 111          | 111 |  |  |  |  |
|   |                    |            |           | 1            | 110   | 105           | 101                | 107                      | 103        | 98         | 98           | 95  |  |  |  |  |
|   |                    |            |           | 2            | 101   | 93            | 86                 | 97                       | 91         | 84         | 88           | 82  |  |  |  |  |
|   |                    |            |           | 3            | 93  | 82            | 75                 | 90                       | 81         | 73         | 78           | 71  |  |  |  |  |
|   |                    |            |           | 4            | 84  | 73            | 66                 | 82                       | 72         | 65         | 69           | 64  |  |  |  |  |
|   |                    |            |           | 5            | 79  | 67            | 58                 | 77                       | 66         | 57         | 64           | 56  |  |  |  |  |
|   |                    |            |           | 6            | 72  | 60            | 52                 | 71                       | 59         | 52         | 57           | 51  |  |  |  |  |
|   |                    |            |           | 7            | 68  | 56            | 46                 | 67                       | 55         | 46         | 53           | 46  |  |  |  |  |
|   |                    |            |           | 8            | 64  | 51            | 42                 | 61                       | 50         | 42         | 48           | 41  |  |  |  |  |
|   |                    |            |           | 9            | 59  | 46            | 39                 | 57                       | 46         | 39         | 45           | 39  |  |  |  |  |
|   |                    |            |           | 10           | 56  | 44            | 35                 | 55                       | 42         | 35         | 41           | 34  |  |  |  |  |

# 1TG T-Grid LED troffer 1x4

2200, 3200, 4200 or 5000 lumens

## Photometry

### 1x4 T-Grid LED troffer, 4200 nominal delivered lumens

### LER – 101

|   |                    |            |           |              |                           |               |                    |                          |            |            |              |
|---|--------------------|------------|-----------|--------------|---------------------------|---------------|--------------------|--------------------------|------------|------------|--------------|
| <b>Catalog No.</b> 1TG42L840-4-FS-02F-UNV<br><b>Test No.</b> 33599<br><b>S/MH</b> 1.1<br><b>Lamp Type</b> LED<br><b>Lumens</b> 4404<br><b>Input Watts</b> 43.6<br><br>Comparative yearly lighting energy cost per 1000 lumens – <b>\$2.38</b> based on 3000 hrs. and \$.08 pwr KWH.<br><br>The photometric results were obtained in the Day-Brite laboratory which is NVLAP accredited by the National Institute of Standards and Technology.<br><br>Photometric values based on test performed in compliance with LM-79. | <b>Candlepower</b> |            |           |              | <b>Light Distribution</b> |               |                    | <b>Average Luminance</b> |            |            |              |
|   | <b>Angle</b>       | <b>End</b> | <b>45</b> | <b>Cross</b> | <b>Degrees</b>            | <b>Lumens</b> | <b>% Luminaire</b> | <b>Angle</b>             | <b>End</b> | <b>45'</b> | <b>Cross</b> |
|   | 0                  | 2030       | 2030      | 2030         | 0-30                      | 1518          | 34.5               | 45                       | 5151       | 4719       | 4352         |
|   | 5                  | 2011       | 2020      | 2023         | 0-40                      | 2378          | 54.0               | 55                       | 4233       | 3691       | 3348         |
|   | 15                 | 1919       | 1926      | 1918         | 0-60                      | 3708          | 84.2               | 65                       | 3465       | 2904       | 2754         |
|   | 25                 | 1727       | 1709      | 1682         | 0-90                      | 4404          | 100.0              | 75                       | 3304       | 2676       | 2624         |
|   | 35                 | 1432       | 1379      | 1321         |                           |               |                    |                          |            |            |              |
|   | 45                 | 1076       | 985       | 909          |                           |               |                    |                          |            |            |              |
|   | 55                 | 717        | 625       | 567          |                           |               |                    |                          |            |            |              |
|   | 65                 | 432        | 362       | 344          |                           |               |                    |                          |            |            |              |
| 75  | 253                | 205        | 201       |              |                           |               |                    |                          |            |            |              |
| 85  | 98                 | 71         | 69        |              |                           |               |                    |                          |            |            |              |
| <b>Coefficients of Utilization</b>  |                    |            |           |              |                           |               |                    |                          |            |            |              |
| <b>EFFECTIVE FLOOR CAVITY REFLECTANCE 20 PER (pfc=0.20)</b>   |                    |            |           |              |                           |               |                    |                          |            |            |              |
| pcc   | 80                 |            |           | 70           |                           |               | 50                 |                          |            |            |              |
| pw  | 70                 | 50         | 30        | 70           | 50                        | 30            | 50                 | 30                       |            |            |              |
| RCR   |                    |            |           |              |                           |               |                    |                          |            |            |              |
| 0   | 118                | 118        | 115       | 115          | 115                       | 111           | 111                |                          |            |            |              |
| 1   | 110                | 105        | 101       | 107          | 103                       | 98            | 98 95              |                          |            |            |              |
| 2   | 101                | 93         | 86        | 97           | 91                        | 84            | 88 82              |                          |            |            |              |
| 3   | 93                 | 82         | 75        | 90           | 81                        | 73            | 78 71              |                          |            |            |              |
| 4   | 84                 | 73         | 66        | 82           | 72                        | 65            | 69 64              |                          |            |            |              |
| 5   | 79                 | 67         | 58        | 77           | 66                        | 57            | 64 56              |                          |            |            |              |
| 6   | 72                 | 60         | 52        | 70           | 59                        | 52            | 57 51              |                          |            |            |              |
| 7   | 68                 | 56         | 46        | 67           | 55                        | 46            | 53 46              |                          |            |            |              |
| 8   | 64                 | 51         | 42        | 61           | 50                        | 42            | 48 41              |                          |            |            |              |
| 9   | 59                 | 46         | 39        | 57           | 46                        | 39            | 45 39              |                          |            |            |              |
| 10  | 56                 | 44         | 35        | 55           | 42                        | 35            | 41 34              |                          |            |            |              |

### 1x4 T-Grid LED troffer, 5000 nominal delivered lumens

### LER – 98

|   |                    |            |           |              |                           |               |                    |                          |            |            |              |
|---|--------------------|------------|-----------|--------------|---------------------------|---------------|--------------------|--------------------------|------------|------------|--------------|
| <b>Catalog No.</b> 1TG50L840-4-FS-02F-UNV<br><b>Test No.</b> 33596<br><b>S/MH</b> 1.1<br><b>Lamp Type</b> LED<br><b>Lumens</b> 5078<br><b>Input Watts</b> 51.9<br><br>Comparative yearly lighting energy cost per 1000 lumens – <b>\$2.45</b> based on 3000 hrs. and \$.08 pwr KWH.<br><br>The photometric results were obtained in the Day-Brite laboratory which is NVLAP accredited by the National Institute of Standards and Technology.<br><br>Photometric values based on test performed in compliance with LM-79. | <b>Candlepower</b> |            |           |              | <b>Light Distribution</b> |               |                    | <b>Average Luminance</b> |            |            |              |
|   | <b>Angle</b>       | <b>End</b> | <b>45</b> | <b>Cross</b> | <b>Degrees</b>            | <b>Lumens</b> | <b>% Luminaire</b> | <b>Angle</b>             | <b>End</b> | <b>45'</b> | <b>Cross</b> |
|   | 0                  | 2337       | 2337      | 2337         | 0-30                      | 1749          | 34.4               | 45                       | 5929       | 5457       | 5009         |
|   | 5                  | 2315       | 2325      | 2329         | 0-40                      | 2740          | 54.0               | 55                       | 4880       | 4265       | 3853         |
|   | 15                 | 2209       | 2217      | 2208         | 0-60                      | 4275          | 84.2               | 65                       | 3992       | 3368       | 3171         |
|   | 25                 | 1986       | 1968      | 1935         | 0-90                      | 5075          | 100.0              | 75                       | 3813       | 3099       | 3021         |
|   | 35                 | 1650       | 1590      | 1522         |                           |               |                    |                          |            |            |              |
|   | 45                 | 1238       | 1140      | 1046         |                           |               |                    |                          |            |            |              |
|   | 55                 | 827        | 723       | 653          |                           |               |                    |                          |            |            |              |
|   | 65                 | 498        | 420       | 396          |                           |               |                    |                          |            |            |              |
| 75  | 291                | 237        | 231       |              |                           |               |                    |                          |            |            |              |
| 85  | 113                | 83         | 80        |              |                           |               |                    |                          |            |            |              |
| <b>Coefficients of Utilization</b>  |                    |            |           |              |                           |               |                    |                          |            |            |              |
| <b>EFFECTIVE FLOOR CAVITY REFLECTANCE 20 PER (pfc=0.20)</b>   |                    |            |           |              |                           |               |                    |                          |            |            |              |
| pcc   | 80                 |            |           | 70           |                           |               | 50                 |                          |            |            |              |
| pw  | 70                 | 50         | 30        | 70           | 50                        | 30            | 50                 | 30                       |            |            |              |
| RCR   |                    |            |           |              |                           |               |                    |                          |            |            |              |
| 0   | 118                | 118        | 118       | 115          | 115                       | 115           | 111 111            |                          |            |            |              |
| 1   | 110                | 105        | 101       | 107          | 103                       | 98            | 98 95              |                          |            |            |              |
| 2   | 101                | 93         | 86        | 97           | 91                        | 84            | 88 82              |                          |            |            |              |
| 3   | 93                 | 82         | 75        | 90           | 81                        | 73            | 78 71              |                          |            |            |              |
| 4   | 84                 | 73         | 66        | 82           | 72                        | 65            | 69 64              |                          |            |            |              |
| 5   | 79                 | 67         | 58        | 77           | 66                        | 57            | 64 56              |                          |            |            |              |
| 6   | 72                 | 60         | 52        | 70           | 59                        | 52            | 57 51              |                          |            |            |              |
| 7   | 68                 | 56         | 46        | 67           | 55                        | 46            | 53 46              |                          |            |            |              |
| 8   | 64                 | 51         | 42        | 61           | 50                        | 42            | 48 41              |                          |            |            |              |
| 9   | 59                 | 46         | 39        | 57           | 46                        | 39            | 45 38              |                          |            |            |              |
| 10  | 56                 | 44         | 35        | 55           | 42                        | 35            | 41 34              |                          |            |            |              |

