

# Day-Brite

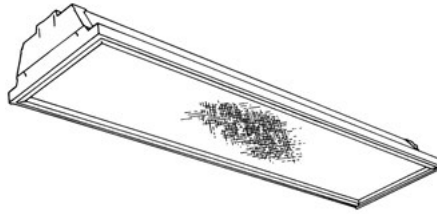
## CFI

by @ignify

### Special Application

Designer wet location  
troffer 1x4

T8, T5, or T5HO



Project: \_\_\_\_\_  
 Location: \_\_\_\_\_  
 Cat.No: \_\_\_\_\_  
 Type: \_\_\_\_\_  
 Lamps: \_\_\_\_\_ Qty: \_\_\_\_\_  
 Notes: \_\_\_\_\_

Day-Brite / CFI Designer wet location troffer is a recessed luminaire cULus Listed for damp and wet locations (for covered ceiling use only).

#### Ordering guide

Example: 1DWLG132-FS01-UNV-1/1-EBHE-LPT835HL-PAF

Width	Family	Ceiling Type	No. of Lamps (not included)	Lamp Type	Door Frame	Lens	Voltage	Options
1	DWL							
1' 1"	DWL Designer wet location	G Grid F Flange Z Z Spline/Modular	1 2 3 (except 54HOH)	28 28WT5 (46") 32 32WT8 (48") 54HO 54WT5HO (46")	FA Flat Aluminum FS Flat Steel	01 Pattern 12 prismatic acrylic 12 K-12, .125" nominal 19 K-19, .156" nominal 21 Pattern 12, .125" nominal	120 277 347 UNV Universal Voltage 120-277V	1/1 One 1-lamp ballast 1/2 One 2-lamp ballast 1/3 One 3-lamp ballast 1/21 2-lamp & 1-lamp ballasts EB Electronic ballast, <10% THD, std. ballast factor EB10R T8 electronic ballast, program rapid start, <10% THD EBHE T8 electronic ballast, high efficiency, std. ballast factor EBLHE T8 electronic ballast, high efficiency, low ballast factor EBHHE T8 electronic ballast, high efficiency, high ballast factor EBD Electronic dimming ballast, customer specified EBSD T8 electronic step dimming ballast, .88 ballast factor EBD7 Advance Mark 7 dimming ballast, 0-10V (low voltage) control EBDX Advance Mark 10 dimming ballast, phase control E1 B100 emerg. ballast, T8, 350-450 lumens, 120/277V E7 B60 emerg. ballast, T8, 600-700 lumens, 120/277V E5 B50 emerg. ballast, U.S. or Canada market, T8, 1100-1400 lumens, UNV ES5T B50ST emerg. ballast w/self test, T8, 1100-1400 lumens, UNV E7LP LP550 emerg. ballast T5/T5HO, 430-700 lumens, 120/277V E6LP LP600 emerg. ballast U.S. or Canada market, T5/T5HO, 750-1325 lumens, 120/277V F1 3/8" flex 3 wire, 18 gauge 6' F2 3/8" flex 4 wire, 18 gauge 6' F2/5W 3/8" flex, 5 wire 18 gauge 6' GLR Fusing, fast blow LPT830 Installed T8/T5/T5HO lamps, 80+ CRI, 3000K LPT835 Installed T8/T5/T5HO lamps, 80+ CRI, 3500K LPT841 Installed T8/T5/T5HO lamps, 80+ CRI, 4100K LPT830HL Installed T8/T5 hi lumen lamps, 80+ CRI, 3000K LPT835HL Installed T8/T5 hi lumen lamps, 80+ CRI, 3500K LPT841HL Installed T8/T5 hi lumen lamps, 80+ CRI, 4100K 1W 1-way gasketing, between lens & door frame 2W 2-way gasketing, 1W + gasketing between door frame & housing 3W 3-way gasketing, 2W + gasketing for field installation between housing & ceiling CHIC Chicago plenum rated PAF Housing painted after fabrication

#### Accessories (order separately)

- **FKD14** – Flange conversion kit 1x4
- **FMA14** – 1'x4' "F" mounting frame for NEMA "F" mounting



# 1DWL Designer wet location troffer 1x4

T8, T5, or T5HO

## Application

- Premium quality recessed static troffer for use in:
  - Grid inverted T (NEMA “G”) ceilings.
  - Flange-type ceilings with concealed mechanical suspension (NEMA “F”)
  - Modular and “Z” spline (NEMA “M/Z”) ceilings.
- Factory installed access plate includes 7/8" hole, 7/8" knockout and grounding screw.
- T Bar grid clips built into fixture end plates, no extra parts required. Designed for use with standard grid ceiling members, 1-1/2" maximum height.
- Not suitable for hose-down applications.

## Construction/Finish

- Die formed ribbed and embossed steel housing.
- Housing is multi-stage phosphate treated for maximum corrosion resistance and finish coat is high reflectance baked white enamel.
- Housing painted after stamping (PAF) option is highly recommended for areas of high humidity.

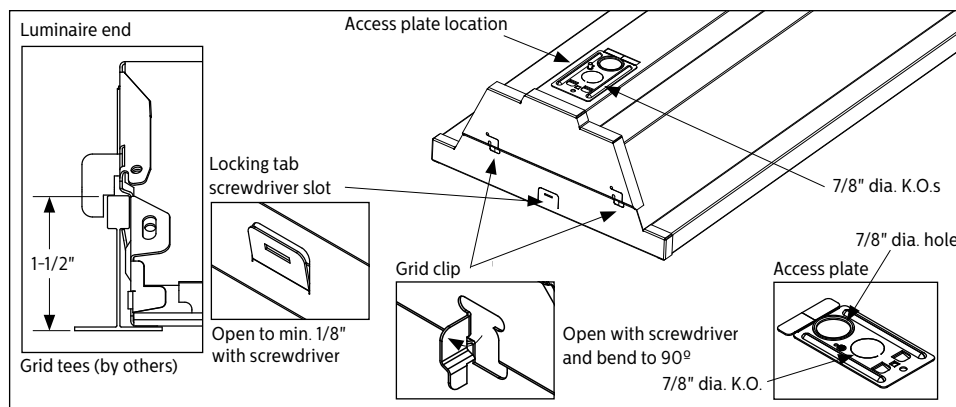
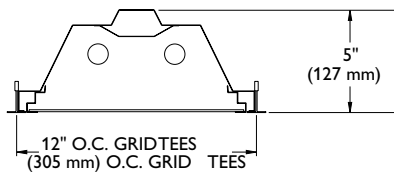
## Electrical

- cULus listed for wet and damp location for covered ceiling use only.
- Models incorporating emergency ballasts will be UL listed for damp locations.

## Enclosure

- Flat steel door is standard.
- Extruded aluminum door optional.
- Door frames have mitered corners and are painted after fabrication with polyester powder coating.
- Closed cell neoprene gasketing between housing and door frame where required.
- White guide post spring loaded latches are standard for ease of use and secure retention of the door frame and lens.

## Dimensions



# 1DWL Designer wet location troffer 1x4

T8, T5, or T5HO

## Photometry

DWL 1x4 2 Lamp T8

Efficiency – 69.8%

LER – 63

TER – 58

		Candlepower				Light Distribution				Average Luminance								
Catalog No.	1DWLG232-FS01-1/2-EB	Angle	End	45	Cross	Degrees	Lumens	% Lamp	% Luminaire	Angle	End	45"	Cross					
Test No.	15184D1	0	1838	1838	1838	0-30	1513	26.1	37.4	45	5579	5070	4949					
S/MH	1.2	5	1834	1835	1821	0-40	2342	40.4	57.9	55	4162	3764	3406					
Lamp Type	F32T8	10	1811	1811	1796	0-60	3554	61.3	87.8	65	2948	2452	2505					
Lumens/Lamp	2900	15	1771	1769	1755	0-90	4047	69.8	100.0	75	2557	2037	2601					
Ballast Factor	.92	20	1711	1706	1682													
Input Watts	59	25	1635	1616	1569													
		30	1528	1487	1415													
		35	1400	1331	1259													
		40	1243	1149	1109													
		45	1054	958	935													
		50	844	764	718													
		55	638	577	522													
		60	462	407	378													
		65	333	277	283													
		70	241	189	222													
		75	177	141	180													
		80	128	110	133													
		85	67	60	68													
Comparative yearly lighting energy cost per 1000 lumens – <b>\$3.81</b> based on 3000 hrs. and \$.08 pwr KWH.																		
The photometric results were obtained in the Day-Brite laboratory which is NVLAP accredited by the National Institute of Standards and Technology.																		
						Coefficients of Utilization												
						EFFECTIVE FLOOR CAVITY REFLECTANCE 20 PER (pfc=0.20)												
						pcc	80			70			50					
						pw	70	50	30	70	50	30	50	30				
						RCR												
						0	83	83	83	81	81	81	77	77				
						1	77	74	72	75	73	70	70	68				
						2	71	66	62	70	65	61	63	60				
						3	66	60	55	64	59	54	57	53				
						4	61	54	48	60	53	48	51	47				
						5	56	48	43	55	48	42	46	41				
						6	52	44	38	51	43	38	42	37				
						7	48	40	34	47	39	34	38	33				
						8	45	36	30	43	35	30	34	29				
						9	41	32	27	40	32	26	31	26				
						10	38	29	24	37	29	24	28	23				



Some luminaires use fluorescent or high intensity discharge (HID) lamps that contain small amounts of mercury. Such lamps are labeled, "Contain Mercury" and/or the symbol "HG". Lamps that contain mercury must be disposed of in accordance with local requirements. Information regarding lamp recycling and disposal can be found at [www.lamprecycle.org](http://www.lamprecycle.org)

