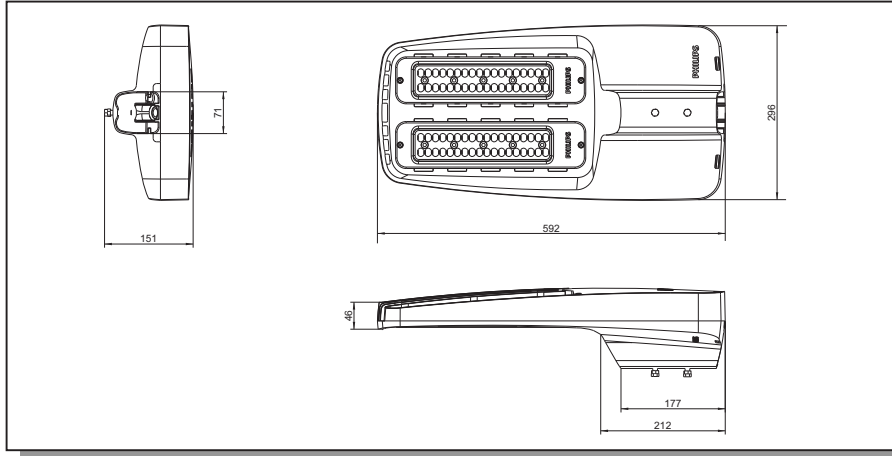
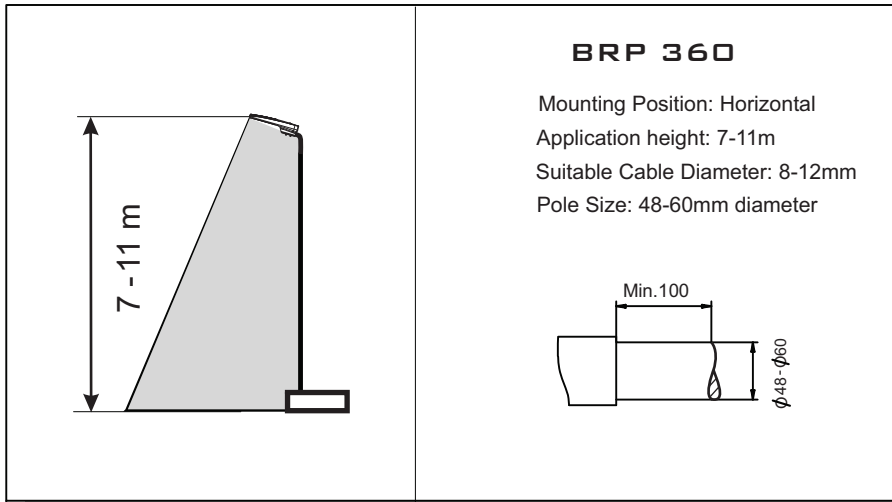


Dimensions



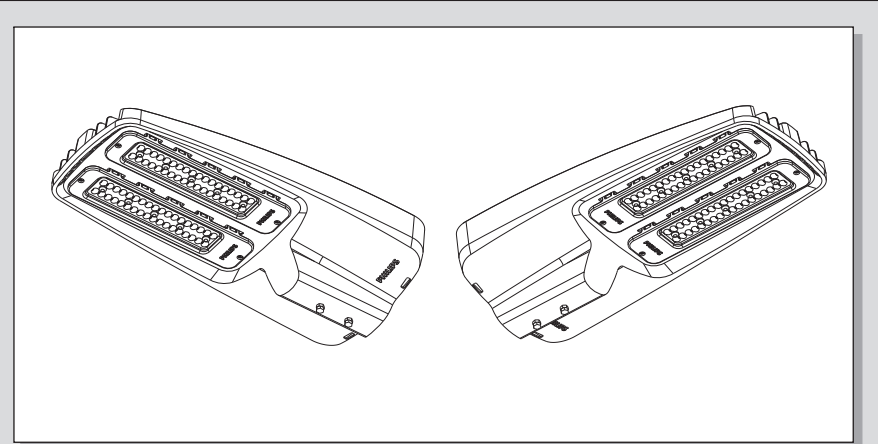
Installation



Installation Instruction

BRP 360

Street Lighting Luminaire



4415 109 24360

Type	:	BRP 360
Lamp	:	LED
Voltage	:	240 V, 50 Hz
IP Classification	:	IP 66
Net Weight	:	6 kgs
Max. Projected Area	:	0.163 m ²
Application	:	Outdoor use only

