

Day-Brite

CFI

by Signify

Recessed

FluxPanel LED 1x4

Up to 4500 lumens



Day-Brite/CFI FluxPanel LED recessed is a highly versatile luminaire designed to provide smooth lighting gradient on the lens surface and ease of installation. Available for use in recessed, suspended, and surface mount orientation, FluxPanel is ideal for general lighting applications such as open office, schools, healthcare, and retail.

Project: _____
 Location: _____
 Cat.No: _____
 Type: _____
 Lamps: _____ Qty: _____
 Notes: _____

Ordering guide – Standard configurations available with all choices, unless otherwise noted.
 Base configurations selections indicated by blue.

Example: 1FXP38L840-4-DS-UNV-DIM-EMLED7

Width	Family	Lumens	Colour	Length	Diffuser	Voltage	Driver	Options ²
1	FXP		-	4	DS	-	-	
1	1' FXP FluxPanel	Base configuration⁵ 38B 3800 nominal delivered lumens Standard configurations⁴ 30L 3000 nominal delivered lumens 38L 3800 nominal delivered lumens 45L 4500 nominal delivered lumens	835 80 CRI, 3500K 840 80 CRI, 4000K 850 80 CRI, 5000K	4' 4'	DS Diffuse (smooth)	UNV Universal Voltage, 120-277 volt 120³ 120V 277³ 277V 347 347V	DIM^{1,7} 0-10V dimming SDIM Step dimming to 40% input power XDIM³ MarkX phase dimming	F1 3/8" flex, 3 wire 18 gauge 6' F2 3/8" flex, 4 wire 18 gauge 6' F1/D 3/8" twin flex, 3 wire 18 gauge 6' for dimmable luminaires F2/5W 3/8" single flex, 5 wire 18 gauge 6' for dimmable luminaires F2/6W 3/8" single flex, 6 wire 18 gauge 6' or dimmable and emergency luminaires GLR Fusing, fast blow GTD/SNSR^{8,9} UL924 listed Bodine GTD installed between driver & sensor EMLED Bodine BSL310 10W battery pack EMLED7 Bodine BSL17 7W battery pack DSC Quick driver disconnect CHIC Chicago Plenum rated IAP⁶ Integral Interact Pro RF sensor, enables network lighting control

Accessories (order separately)

- **FMA14** – 1'x4' "F" mounting frame for NEMA "F" mounting
- **FSK14** – 1'x4' surface mount field installation kit (factory sealed welded seams)
- **FSF14** – 1'x4' surface mount field assembly kit (field assembled)
- **4PCH48-1-SC** – adjustable cable hanger kit for 1x4 with straight white 18/3 cord (two-1 powered, 1 non-powered)
- **4PCH48-1D-SC** – adjustable cable hanger kit for 1x4 with straight white 18/5 cord for dimming (two-1 powered, 1 non-powered)

Footnotes

1. 0-10v dimming to 1% for Standard, and 10% for Base configurations
2. All options available with Standard configurations only
3. XDIM requires 120V or 277V specification
4. Standard configurations are packaged one unit per carton
5. Base configurations are packaged two units per carton, and sold in even quantities only
6. Specify DIM driver option only.
7. Integral IAP option dimmable to 5% via wireless wall switch. See page 2.
8. Must be installed in conjunction with a UL1008 device.
9. Must be ordered with an integral controls option.

Energy data

Luminaire	Catalog Number	Input Power	Efficacy
1x4 Standard	1FXP30L840	27	115
	1FXP38L840	33	114
	1FXP45L840	39	111
1x4 Base	1FXP38B840	34	107



interact ready.

1FXP FluxPanel LED recessed 1x4

Up to 4500 lumens

Application

- 7/16" ultra shallow light guide profile.
- Overall 1-15/16" deep luminaire, including driver box, provides minimal intrusion into the plenum space.
- Even distribution of light on the lens provides exceptionally low glare gradient minimizing distractions at the ceiling plane.
- General light distribution creates uniform horizontal and vertical illuminance on the work plane and limits scalloping on the walls.
- Excellent consistency of correlated colour temperature (CCT) per ANSI C78.377.
- CRI 80 minimum colour rendering with balanced spectrum.
- Designed for use with standard Grid (NEMA "G") or Narrow Grid (NEMA "NFG") ceiling T-bars. Drywall or plaster application require use with the FMA14 "F" mounting frame accessory (sold and shipped separately).
- Accessory field install kits available for surface (FSK14) and suspended (4PCH48) mounting.

Construction/Finish

- Extruded aluminum frame post painted with gloss white enamel finish. Corners are precision welded for seamless aesthetic.
- Emergency options available with factory installed battery pack and remote field installed test switch/light with cover plate.
- Die formed driver box with standard access plate for ease of wiring, provides tool-free access to driver(s) from above.
- Edge lit LED arrays provide highly efficient and unipilated transfer of light to the light guide panel.
- Integral clips accommodate definitive attachment to T-bar grid for recessed applications.
- Die formed surface box accessory kit post painted gloss white enamel.
- Suspended accessory kits available, include cables, luminaire mounting clips, and adjustable connectors.
- All Base configurations are shipped two luminaires per master carton. Standard configurations are one luminaire per master carton.

Enclosure

- Acrylic diffuser provides visual comfort and high efficiency.
- Flat opal lens is easy to clean and provides a uniform aesthetic on the ceiling plane.
- Tight enclosure assembly impedes ingress of dust and insects.

Electrical

- Up to 112 lm/W efficacy.
- High efficiency Advance driver featuring high power factor (>0.90), 120-277V 60/50Hz, and less than 15% THD.
- Minimum start temperature -20°C (-4°F).
- Standard configurations are 0-10V dimming to 1%. Base configurations are to 5%.
- To predict lumen output in emergency mode, multiply emergency pack wattage by luminaire efficacy, then by 1.10. Typical lumen output is 1200lm for EMLED, and 850lm for EMLED7.
- The GTD/SNSR option is used to bypass integrated sensor control in the event of utility power loss. Generator transfer requires installation in conjunction with a UL1008 listed device.
- Electromagnetic interference (EMI) compliant to FCC Title 47 Part 15 class A.
- Flicker and stroboscopic effect compliant to NEMA 77-2017.
- TM-21 predicted L70 lumen maintenance up to 81,000 hours per LED manufacturer LM-80 report.
- cULus (Base) or cETLus (Standard) listed to UL and CSA standards, suitable for damp locations.
- Base configurations are non-IC rated. Standard configurations are IC rated.
- FluxPanel luminaires are Designlights Consortium® qualified. Please see the DLC QPL list for exact catalog numbers (www.designlights.org/QPL).

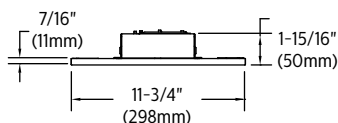
General Notes

- All options factory installed.
- All accessories are field installed.
- Many luminaire components, such as reflectors, refractors, lenses, sockets, lampholders, and LEDs are made from various types of plastics which can be adversely affected by airborne contaminants. If sulfur based chemicals, petroleum based products, cleaning solutions, or other contaminants are expected in the intended area of use, consult factory for compatibility.
- Five year limited luminaire warranty includes LED boards and driver. Visit www.signify.com/warranties for complete warranty information.

Interact Pro (IAP)

- Interact Pro brings the power of connected lighting to small and medium businesses without the complexity usually associated with connected lighting.
- Interact Pro includes an app, a portal and a broad portfolio of wireless Luminaires, lamps and retrofit kits all working on the same system.
- Commissioning via Interact Pro App (Android or iPhone)
- Prepare commissioning remotely via Interact Pro portal
- Requires compatible Interact Pro Gateway and internet connectivity for commissioning
- Compatible with UID8451/10 ZigBee Greenpower wireless dimmer switch
- Compatible with wireless Occ sensor (OCC SENSOR IA CM IP42 WH 10/1) or wireless Day/Occ sensor (OCC MULTI SENSOR IA CM WH 10/1)
- Interact Pro sensor attaches to adjacent t-bar, signal propagation from above ceiling
- For more information on Interact Pro visit: www.interact-lighting.com/pro
- For more information on Interact Ready visit: www.philips.ca/interact-ready

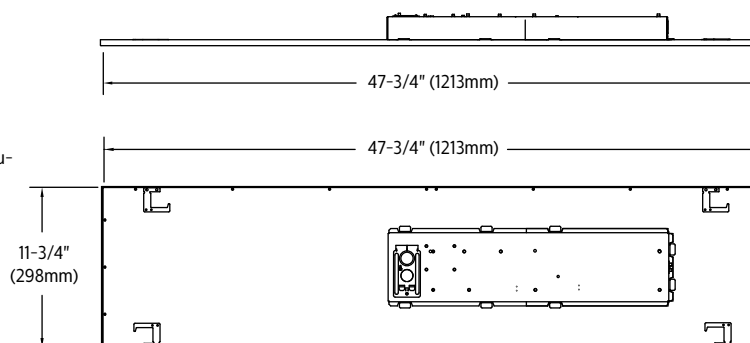
Dimensions



Note: Base configurations are 1-15/16" deep. Standard configurations are 2-1/8" deep.

Emergency driver box shown is 20.5" (521mm) long.

Standard non-EM driver box is 10.5" (267mm) long



1FXP FluxPanel LED recessed 1x4

Up to 4500 lumens

Photometry

1x4 FluxPanel LED, 3800 nominal delivered lumens 3500K

LER - 108

Catalog No.	1FXP38B835-4-DS-UNV-DIM	Candlepower				Light Distribution			Average Luminance			
		Angle	End	45	Cross	Degrees	Lumens	% Luminaire	Angle	End	45'	Cross
Test No.	38554	0	1257	1257	1257	0-30	980	27.2	45	3970	4015	4009
S/MH	1.3	5	1233	1254	1263	0-40	1610	44.7	55	3860	3881	3856
Lamp Type	LED	15	1193	1213	1222	0-60	2860	79.4	65	3406	3409	3361
Lumens/Lamp	3604	25	1113	1129	1136	0-90	3603	100.0	75	3020	2952	2880
Input Watts	33	35	995	1009	1010	0-180	3604	100.0	85	2647	2368	2158
		45	845	854	853							
		55	666	670	665							
		65	433	434	427							
		75	235	230	224							
		85	69	62	57							

EFFECTIVE FLOOR CAVITY REFLECTANCE 20 PER (pfc=0.20)									
pcc	80			70			50		
pw	70	50	30	70	50	30	50	30	
RCR									
0	118	118	118	115	115	115	111	111	
1	109	104	100	106	102	97	96	93	
2	98	91	83	95	89	81	84	80	
3	90	79	70	88	78	69	75	68	
4	81	69	61	80	68	60	67	58	
5	76	63	54	73	61	53	59	52	
6	69	56	47	68	56	46	54	46	
7	65	51	41	63	50	41	48	40	
8	59	46	38	58	46	38	45	36	
9	56	42	34	55	41	34	40	34	
10	53	40	32	52	39	30	38	30	

Comparative yearly lighting energy cost per 1000 lumens - \$2.22 based on 3000 hrs. and \$.08 pwr KWH.

The photometric results were obtained in the Day-Brite laboratory which is NVLAP accredited by the National Institute of Standards and Technology.

Photometric values based on test performed in compliance with LM-79.

1x4 FluxPanel LED, 3800 nominal delivered lumens 4000K

LER - 107

Catalog No.	1FXP38B840-4-DS-UNV-DIM	Candlepower				Light Distribution			Average Luminance			
		Angle	End	45	Cross	Degrees	Lumens	% Luminaire	Angle	End	45'	Cross
Test No.	38051	0	1234	1234	1234	0-30	961	26.6	45	3895	3911	3889
S/MH	1.3	5	1219	1230	1231	0-40	1576	43.7	55	3776	3776	3754
Lamp Type	LED	15	1179	1189	1189	0-60	2798	77.5	65	3592	3580	3565
Lumens/Lamp	3610	25	1099	1105	1103	0-90	3608	99.9	75	3309	3285	3294
Input Watts	34	35	980	985	982	0-180	3610	100.0	85	2891	2811	3112
		45	829	832	827							
		55	652	652	648							
		65	457	455	453							
		75	258	256	257							
		85	76	74	82							

EFFECTIVE FLOOR CAVITY REFLECTANCE 20 PER (pfc=0.20)									
pcc	80			70			50		
pw	70	50	30	70	50	30	50	30	
RCR									
0	118	118	118	115	115	115	111	111	
1	108	103	98	106	101	96	96	93	
2	97	90	82	95	88	81	83	79	
3	90	79	69	86	77	68	73	67	
4	81	69	60	80	68	59	66	57	
5	75	61	53	72	60	52	58	51	
6	68	56	46	67	55	46	53	45	
7	64	51	41	63	50	40	47	40	
8	59	46	38	57	45	36	44	36	
9	56	41	34	54	41	34	40	33	
10	52	39	30	51	39	30	38	29	

Comparative yearly lighting energy cost per 1000 lumens - \$2.24 based on 3000 hrs. and \$.08 pwr KWH.

The photometric results were obtained in the Day-Brite laboratory which is NVLAP accredited by the National Institute of Standards and Technology.

Photometric values based on test performed in compliance with LM-79.

The information presented in this document is not intended as any commercial offer and does not form part of any quotation or contract.

