

Project: _____

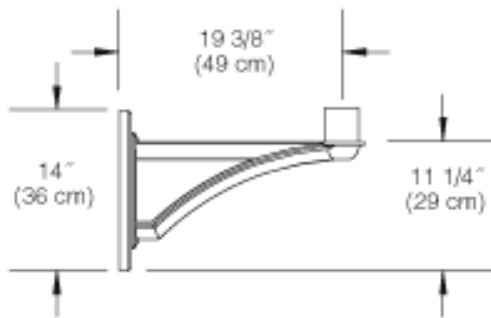
Location: _____

Cat.No: _____

Type: _____

Lamps: _____ Qty: _____

Notes: _____



Ordering Guide

Example: PTW2880 A

Product Code	PTW2880	Wall Mount
Finish	A	Black
	B	White
	G	Verde
	H	Bronze
	I	Gray
	J	Green

Specifications

HOUSING:

356 HM high-strength, low-copper, proprietary cast aluminum alloy .

FINISH:

Thermoset polyester powdercoat is electrostatically applied after a five-stage conversion cleaning process and bonded by heat fusion thermosetting. Laboratory tested for superior weatherability and fade resistance in accordance with ASTM B117 specifications. For larger projects where a custom color is required, contact the factory for more information.

WARRANTY:

Three-year limited warranty.

Height :

14" (36 cm)

Length:

19 3/8" (49 cm)

