

The Gardco RA straight aluminum pole consists of a one-piece round extruded aluminum lighting standard mounted to a cast aluminum base. The poles are finished with either Architectural Class 1 anodizing or electrostatically applied TGIC polyester powdercoat.

Project: _____
 Location: _____
 Cat.No: _____
 Type: _____
 Lamps: _____ Qty: _____
 Notes: _____

Ordering Guide

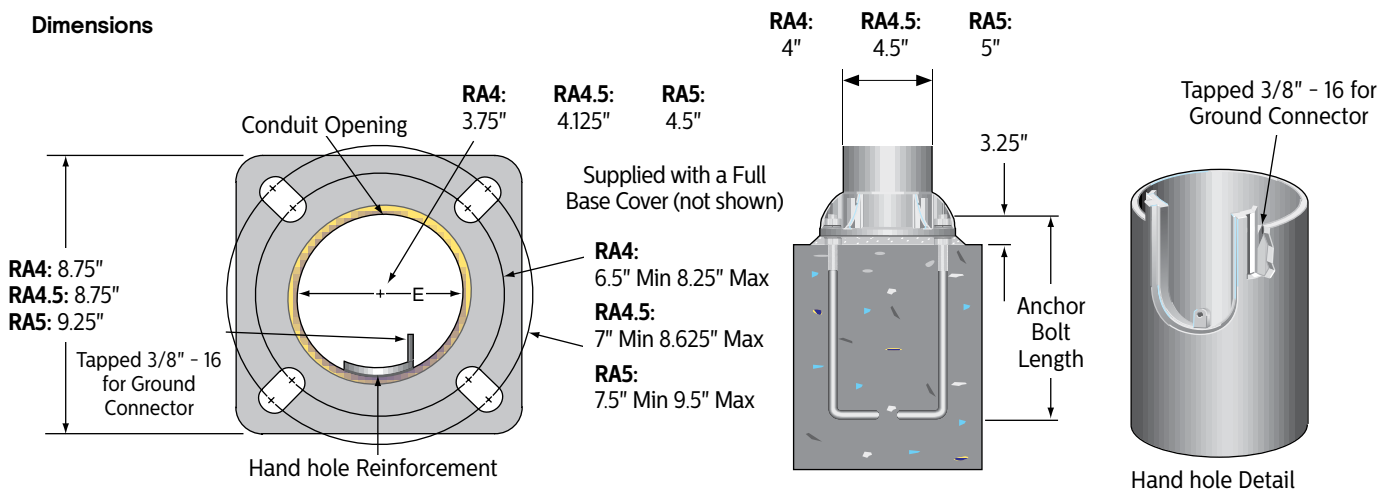
example: RA4CB10D1BRPDR

| | Prefix | Base Option Code CB | Height Code | Wind Factor Code* | Drilling | Finish | Options |
|----------------|--------|-------------------------------|-------------|-------------------|-----------------------------|--|---|
| Side Arm Mount | RA4 | CB | 10 | - | D1 1 Way | BRP Bronze Paint BLP Black Paint WP White Paint NP Natural Aluminum Paint | DR Duplex Receptacle GFCI Ground Fault Receptacle VDA Vibration Dampener AHH* Additional Hand Hole Nipples and Couplings NL Nipple - External thread CL Coupling - Internal thread Indicate size (1/2", 3/4", 1", 1 1/4", 1 1/2".) Indicate height above base and orientation to hand hole. See Pole Orientation Information on Page 4. Single Mount Bullhorn Brackets* A15BH-19 Single - 1.9" OD A15BH-24 Single - 2.4" OD A215BH-19 2-Tenon - 1.9" OD A215BH-24 2-Tenon - 2.4" OD Indicate height above base and orientation to hand hole. See Pole Orientation Information on Page 4. Motion Response Provisions* MSM Motion Sensor Mounting Provision for LED Luminaires available with Motion Response Minimum Pole Height is 18'. Includes a special hand hole with 1/2" coupling placed in the cover plate, 180° to the hand hole, 15' above the pole base. |
| | | | 12 | | D2 2 Way | | |
| | | | 15 | | D2@90 2 Way at 90° | | |
| | RA4.5 | | 10 | - | D3 3 Way | | |
| | | | 12 | | D3@120 3 Way at 120° | | |
| | | | 15 | | D4 4 Way | | |
| | | | 18 | | T2 2 3/8" OD Tenon | | |
| | RA5 | | 20 | - | T4 4" OD Tenon | | |
| | | | 15 | | L M H | | |
| | | | 18 | | L M H | | |
| Post Top Mount | PRA4 | 8 | - | | | | |
| | | 10 | | | | | |
| | | 12 | | | | | |
| | PRA5 | 15 | - | | | | |
| | | 10 | | | | | |
| | | 12 | | | | | |

*Refers to relative strength based on wind load factors. L = Light M = Medium H = Heavy

*Not available on PRA poles

Dimensions



NOTE: Factory supplied template must be used when setting anchor bolts. Gardco will not honor any claim for incorrect anchorage placement from failure to use factory supplied templates.

Poles Straight Round Aluminum – Cast Base

Pole Data

| Poles Specs | | | | Normal Wind Conditions | | | Anchor Bolts | | |
|------------------------|-------------|------------------------|-------------------------|------------------------|---------------------|---------------------|----------------------|--------------------|--------------------|
| Product Catalog Number | Height (ft) | Pole Diameter (inches) | Wall Thickness (inches) | 100 MPH | 90 MPH | 80 MPH | Bolt Circle (inches) | Bolt Size (inches) | Max Proj. (inches) |
| | | | | EPA ft ² | EPA ft ² | EPA ft ² | | | |
| RA4-CB-10 | 10 | 4 | 0.125 | 5.5 | 7.2 | 9.8 | 6.5 - 8.25 | 3/4 x 17 x 3 | 3.25 |
| RA4-CB-12 | 12 | 4 | 0.125 | 3.8 | 5.1 | 7.1 | 6.5 - 8.25 | 3/4 x 17 x 3 | 3.25 |
| RA4-CB-15 | 15 | 4 | 0.125 | 1.9 | 1.9 | 3.3 | 6.5 - 8.25 | 3/4 x 17 x 3 | 3.25 |
| RA4.5-CB-10 | 10 | 4.5 | 0.125 | 7.6 | 9.5 | 12.5 | 7 - 8.625 | 3/4 x 17 x 3 | 3.25 |
| RA4.5-CB-12 | 12 | 4.5 | 0.125 | 5.6 | 7.1 | 9.5 | 7 - 8.625 | 3/4 x 17 x 3 | 3.25 |
| RA4.5-CB-15 | 15 | 4.5 | 0.188 | 5.1 | 6.5 | 8.8 | 7 - 8.625 | 3/4 x 17 x 3 | 3.25 |
| RA4.5-CB-18 | 18 | 4.5 | 0.188 | 3.6 | 4.7 | 6.7 | 7 - 8.625 | 3/4 x 17 x 3 | 3.25 |
| RA4.5-CB-20 | 20 | 4.5 | 0.188 | 2.4 | 3.2 | 5.1 | 7 - 8.625 | 3/4 x 17 x 3 | 3.25 |
| RA5-CB-15L | 15 | 5 | 0.125 | 4 | 5.2 | 6.9 | 7.5 - 9.5 | 3/4 x 17 x 3 | 3.25 |
| RA5-CB-15M | 15 | 5 | 0.156 | 5.6 | 7.2 | 9.4 | 7.5 - 9.5 | 3/4 x 17 x 3 | 3.25 |
| RA5-CB-15H | 15 | 5 | 0.188 | 7.2 | 9.2 | 11.9 | 7.5 - 9.5 | 3/4 x 17 x 3 | 3.25 |
| RA5-CB-18L | 18 | 5 | 0.125 | 2.8 | 3.6 | 5.1 | 7.5 - 9.5 | 3/4 x 17 x 3 | 3.25 |
| RA5-CB-18M | 18 | 5 | 0.156 | 4.1 | 5.4 | 7.2 | 7.5 - 9.5 | 3/4 x 17 x 3 | 3.25 |
| RA5-CB-18H | 18 | 5 | 0.188 | 5.5 | 8 | 9.4 | 7.5 - 9.5 | 3/4 x 17 x 3 | 3.25 |
| RA5-CB-20L | 20 | 5 | 0.125 | 1.8 | 2.5 | 3.5 | 7.5 - 9.5 | 3/4 x 17 x 3 | 3.25 |
| RA5-CB-20M | 20 | 5 | 0.156 | 3.1 | 4 | 5.5 | 7.5 - 9.5 | 3/4 x 17 x 3 | 3.25 |
| RA5-CB-20H | 20 | 5 | 0.188 | 4.2 | 5.6 | 7.5 | 7.5 - 9.5 | 3/4 x 17 x 3 | 3.25 |
| PRA4-CB-8 | 6.17 | 4 | 0.125 | 8 | 10.1 | 13.2 | 6.5 - 8.25 | 3/4 x 17 x 3 | 3.25 |
| PRA4-CB-10 | 8.17 | 4 | 0.125 | 5.5 | 7.2 | 9.8 | 6.5 - 8.25 | 3/4 x 17 x 3 | 3.25 |
| PRA4-CB-12 | 10.00 | 4 | 0.125 | 3.8 | 5.1 | 7.1 | 6.5 - 8.25 | 3/4 x 17 x 3 | 3.25 |
| PRA4-CB-15 | 13.33 | 4 | 0.125 | 1.2 | 1.9 | 3.3 | 6.5 - 8.25 | 3/4 x 17 x 3 | 3.25 |
| PRA5-CB-10 | 8.08 | 5 | 0.125 | 10 | 12.5 | 16 | 7.5 - 9.5 | 3/4 x 17 x 3 | 3.25 |
| PRA5-CB-12 | 9.92 | 5 | 0.125 | 7.4 | 9.4 | 12.1 | 7.5 - 9.5 | 3/4 x 17 x 3 | 3.25 |
| PRA5-CB-15 | 13.00 | 5 | 0.125 | 4 | 5.2 | 6.9 | 7.5 - 9.5 | 3/4 x 17 x 3 | 3.25 |
| PRA5-CB-18 | 16.00 | 5 | 0.125 | 2.8 | 3.6 | 5.1 | 7.5 - 9.5 | 3/4 x 17 x 3 | 3.25 |
| PRA5-CB-20 | 18.00 | 5 | 0.125 | 1.8 | 2.5 | 3.5 | 7.5 - 9.5 | 3/4 x 17 x 3 | 3.25 |

* **Warning:** Additional wind loading, in terms of EPA, from banners, cameras, floodlights and other accessories attached to the pole, must be added to the luminaire(s) EPA before selecting the pole with the appropriate wind load capability.

** Factory supplied template must be used when setting anchor bolts. Gardco will not honor any claim for incorrect anchorage placement resulting from failure to use factory supplied templates.

Poles Straight Round Aluminum – Cast Base

Specifications

All aluminum alloys shall comply with metallurgical and mechanical properties set forth in the Aluminum Association Standards.

POLE SHAFT

The shaft shall be extruded from all new seamless 6063 alloy aluminum and shall be heat treated to produce a T6 temper. The shaft shall be polished with fine grain aluminum oxide cloths, resulting in a high quality circumferential satin brushed finish. After finishing, each pole shall be fully tire-wrapped with neutral PH krinkle/kraft paper for protection in shipment. .

ANCHOR BASE

The anchor base is cast from A356 alloy aluminum. The shaft shall be inserted into the anchor base casting. The anchor base casting and shaft shall be joined by a continuous circumferential weld at the inside bottom of the anchor base. The completed assembly shall be heat treated to a T6 condition. A full base cover shall be included with each anchor base.

ANCHOR BOLTS

Anchor bolts are fabricated from a commercial quality hot rolled carbon steel bar that

meets or exceeds a minimum guaranteed yield strength of 50,000 psi. Bolts have an “L” bend on one end and threaded on the opposite end. Anchor bolts are completely hot dipped galvanized. Four (4) properly sized bolts, each furnished with two (2) regular hex nuts and two (2) flat washers, are provided per pole (priced separately), unless otherwise specified.

HAND HOLE

All poles shall include a peripherally reinforced flush covered hand hole centered 18” above the bottom of the pole.

The opening shall measure 2 3/8” x 4 1/2” or 3” x 5”.

POLE TOP CAP

Each RA pole assembly is provided with a removable composite friction-fit pole top cap. PRA poles do not require pole top caps.

FINISH

Poles are available with bronze, natural or black Aluminum Association Architectural Class 1 anodized finish. Electrostatically applied, thermally cured TGIC polyester powdercoat finish or liquid polyurethane is also available.

General Pole Information

DESIGN

The poles as charted are designed to withstand dead loads and predicted dynamic loads developed by variable wind speeds with an additional 30% gust factor under the following conditions: The charted weights include luminaire(s) and/or mounting bracket(s). The wind velocities are based on 10 mph increments from 80 mph through 100 mph. Poles to be located in areas of known abnormal conditions may require special consideration. For example: coastal areas, airports and areas of special winds.

Poles are designed for ground mounted applications. Poles mounted on structures (such as buildings and bridges) may also necessitate special consideration requiring Gardco's recommendation. Height correction factors and drag coefficients are applied to the entire structure. An appropriate safety factor is maintained based on the minimum yield strength of the material incorporated in the pole.

WARNING

This design information is intended as a general guideline only. The customer is solely

responsible for proper selection of pole, luminaire, accessory and foundation under the given site conditions and intended usage. The addition of any items to the pole, in addition to the luminaire, will dramatically impact the EPA load on that pole. It is strongly recommended that a qualified professional be consulted to analyze the loads given the user's specific needs to ensure proper selection of the pole, luminaire, accessories, and foundation. Gardco assumes no responsibility for such proper analysis or product selections. Failure to insure proper site analysis, pole selection, loads and installation can result in

pole failure, leading to serious injury or property damage.

GENERAL INFORMATION

Mounting height is the vertical distance from the base of the lighting pole to the center of the luminaire arm at the point of luminaire attachment. Twin arms as charted are oriented at 180° with respect to each other. For applications of two (2) arms at 90° or other multiple arm applications, consult the factory.

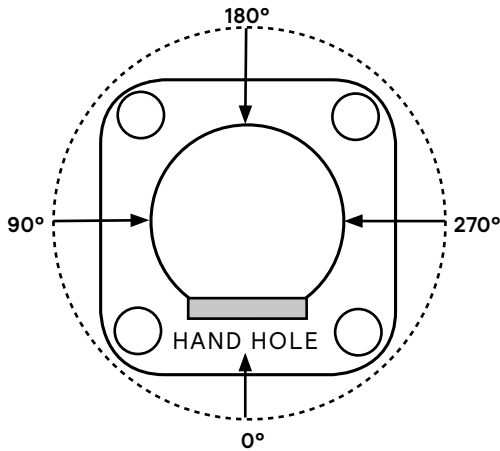
WARRANTY

Gardco poles feature a 1 year limited warranty. See Warranty Information on www.signify.com/warranties for complete details and exclusions.

Poles Straight Round Aluminum - Cast Base

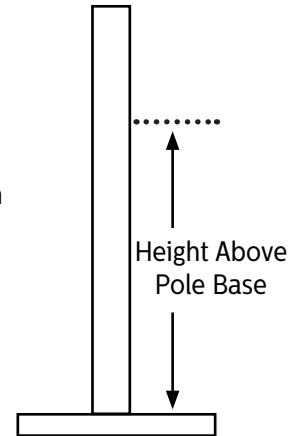
Orientation Information

Factory installed options and accessories



Orientation is measured clockwise from the Hand Hole Center.

For Factory Installed Options and Accessories, Specify Orientation from Hand Hole and Height Above Pole Base Where Required.



Standard arm mount luminaire orientation

