

The Gardco RA hinged base aluminum pole consists of a one-piece round extruded aluminum lighting standard welded to a cast aluminum base plate. This top plate/pole assembly is attached on-site to the lower base with removeable pivot pins. This construction allows for easy installation and servicing of the attached luminaires without the need for a ladder or bucket truck. The poles are finished with either Architectural Class 1 anodizing or electrostatically applied TGIC polyester powdercoat.

Project: _____
 Location: _____
 Cat.No: _____
 Type: _____
 Lamps: _____ Qty: _____
 Notes: _____

Order Guide

example: RA4HB8D1BRPDR

Prefix	Base	Height	Drilling	Finish	Options
	HB				
Side Arm Mount	RA4	10	D1 1 Way	BRP Bronze Paint BLP Black Paint WP White Paint NP Natural Aluminum Paint OC Optional Color Paint SC (Specify RAL designation ex: OC-RAL7024) Special Color Paint (Specify. Must supply color chip.)	DR Duplex Receptacle GFCI Ground Fault Receptacle VDA Vibration Dampener AHH* Additional Hand Hole Nipples and Couplings NL Nipple - External thread CL Coupling - Internal thread Indicate size (1/2", 3/4", 1", 1 1/4", 1 1/2".) Indicate height above base and orientation to hand hole. See Pole Orientation Information on Page 4.
		12	D2 2 Way		
		15	D2@90 2 Way at 90°		
	RA4.5	8	D3 3 Way		
		10	D3@120 3 Way at 120°		
		12	D4 4 Way		
RA5	15	T2 2 3/8" OD Tenon			
	18	T4 4" OD Tenon			
	20				
Post Top Mount	PRA4	8		—	Single Mount Bullhorn Brackets* A15BH-19 Single - 1.9" OD A15BH-24 Single - 2.4" OD A215BH-19 2-Tenon - 1.9" OD A215BH-24 2-Tenon - 2.4" OD Indicate height above base and orientation to hand hole. See Pole Orientation Information on Page 4. Motion Response Provisions* MSM Motion Sensor Mounting Provision for LED Luminaires available with Motion Response. Minimum Pole Height is 18'. Includes a special hand hole with 1/2" coupling placed in the cover plate, 180° to the hand hole, 15' above the pole base.
		10			
		12			
	PRA5	15			
		18			
		20			

*Not available on PRA poles

Poles Straight Round Aluminum - Hinged Base

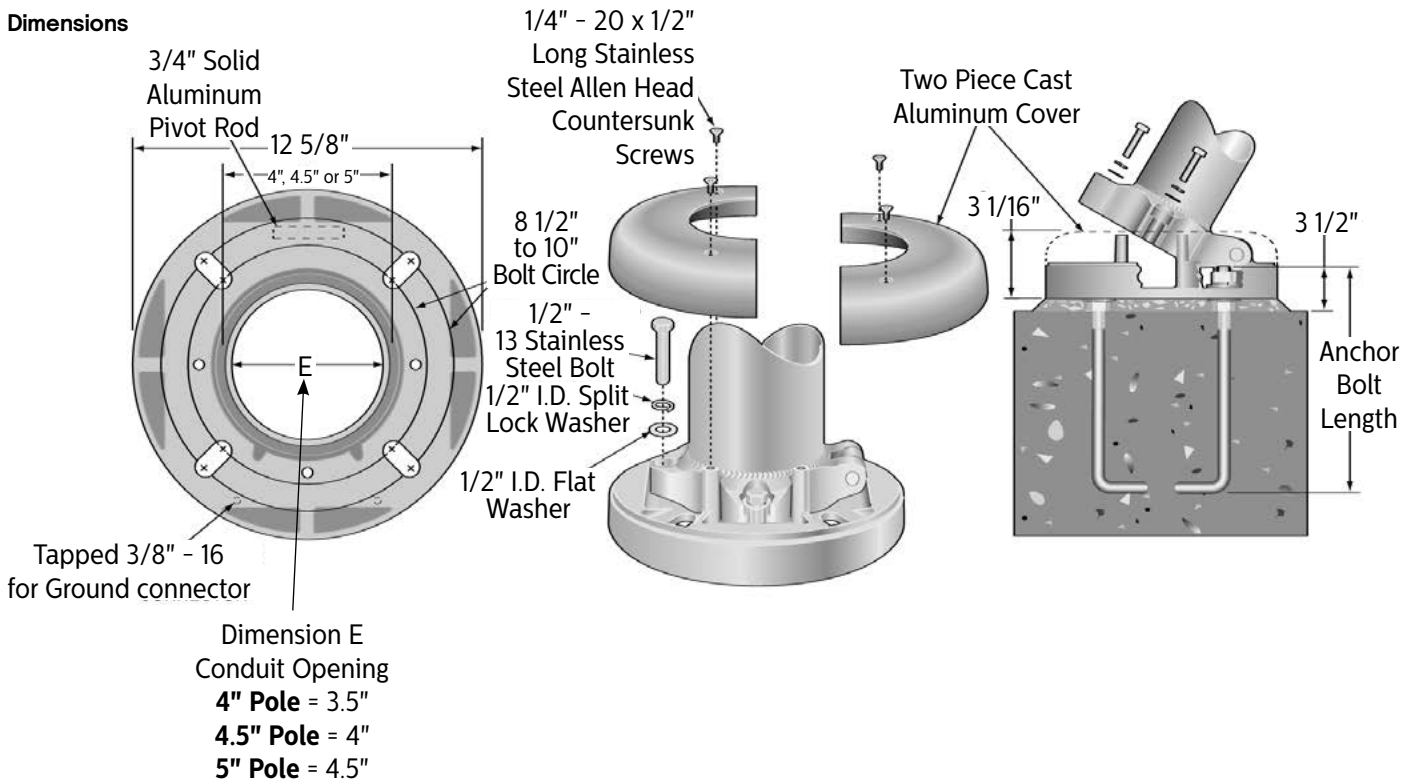
Pole Data

Product Catalog Number	Pole Specs			Normal Wind Conditions			Anchor Bolts ²		
				100 MPH	90 MPH	80 MPH			
	Height (ft)	Pole Diameter (inches)	Wall Thickness (inches)	EPA ft ²	EPA ft ²	EPA ft ²	Bolt Circle (inches)	Bolt Size (inches)	Max Proj. (inches)
RA4-HB-10	10	4	0.125	4.7	6.1	8.2	8.5 - 10	3/4 x 17 x 3	3.5
RA4-HB-12	12	4	0.125	3.3	4.4	6.1	8.5 - 10	3/4 x 17 x 3	3.5
RA4-HB-15	15	4	0.125	1.2	1.9	3.1	8.5 - 10	3/4 x 17 x 3	3.5
RA4.5-HB-8	8	4.5	0.125	10.7	13.3	17.2	8.5 - 10	3/4 x 17 x 3	3.5
RA4.5-HB-10	10	4.5	0.125	7.6	9.5	12.5	8.5 - 10	3/4 x 17 x 3	3.5
RA4.5-HB-12	12	4.5	0.125	5.6	7.1	9.5	8.5 - 10	3/4 x 17 x 3	3.5
RA4.5-HB-15	15	4.5	0.125	2.5	3.3	4.9	8.5 - 10	3/4 x 17 x 3	3.5
RA5-HB-15	15	5	0.125	3.6	4.7	6.2	8.5 - 10	3/4 x 17 x 3	3.5
RA5-HB-18	18	5	0.188	4.9	6.2	8.2	8.5 - 10	3/4 x 17 x 3	3.5
RA5-HB-20	20	5	0.188	3.7	4.8	6.4	8.5 - 10	3/4 x 17 x 3	3.5
PRA4-HB-8	6.167	4	0.125	4.7	6.1	8.2	8.5 - 10	3/4 x 17 x 3	3.5
PRA4-HB-10	8.167	4	0.125	4.7	6.1	8.2	8.5 - 10	3/4 x 17 x 3	3.5
PRA4-HB-12	10	4	0.125	3.3	4.4	6.1	8.5 - 10	3/4 x 17 x 3	3.5
PRA4-HB-15	13.333	4	0.125	1.2	1.9	3.1	8.5 - 10	3/4 x 17 x 3	3.5
PRA4.5-HB-8	6.333	4.5	0.125	10.7	13.3	17.2	8.5 - 10	3/4 x 17 x 3	3.5
PRA4.5-HB-10	8.333	4.5	0.125	7.6	9.5	12.5	8.5 - 10	3/4 x 17 x 3	3.5
PRA4.5-HB-12	10.333	4.5	0.125	5.6	7.1	9.5	8.5 - 10	3/4 x 17 x 3	3.5
PRA4.5-HB-15	13.333	4.5	0.125	2.5	3.3	4.9	8.5 - 10	3/4 x 17 x 3	3.5
PRA5-HB-15	13	5	0.125	3.6	4.7	6.2	8.5 - 10	3/4 x 17 x 3	3.5
PRA5-HB-18	16	5	0.188	4.9	6.2	8.2	8.5 - 10	3/4 x 17 x 3	3.5
PRA5-HB-20	18	5	0.188	3.7	4.8	6.4	8.5 - 10	3/4 x 17 x 3	3.5

* **Warning:** Additional wind loading, in terms of EPA, from banners, cameras, floodlights and other accessories attached to the pole, must be added to the luminaire(s) EPA before selecting the pole with the appropriate wind load capability.

** Factory supplied template must be used when setting anchor bolts. Gardco will not honor any claim for incorrect anchorage placement resulting from failure to use factory supplied templates.

Dimensions



NOTE: Factory supplied template must be used when setting anchor bolts. Gardco will not honor any claim for incorrect anchorage placement from failure to use factory supplied templates.

Poles Straight Round Aluminum – Hinged Base

Specifications

POLE SHAFT

The pole shaft is a one-piece, seamless 6000 series extruded aluminum cylindrical tubing and is heat-treated to achieve a T6. **BASE PLATE ASSEMBLY**The base assembly consists of a cast aluminum alloy A356 T6 upper base plate that is welded directly to the pole shaft.

ANCHOR BOLTS

Anchor bolts are fabricated from a commercial quality hot rolled carbon steel bar that meets or exceeds a minimum guaranteed yield strength of 50,000 psi. Bolts have an “L” bend on one end and threaded on the opposite end. Anchor bolts are completely hot dipped galvanized. Four (4) properly sized bolts, each furnished with two (2) regular hex nuts and two (2) flat washers, are provided per pole (priced separately), unless otherwise specified.

BASE COVER

A two-piece, heavy wall aluminum cover completely conceals the entire base plate and anchorage. The base cover is secured to the base assembly with four (4) stainless steel fasteners.

HAND HOLE

The hand hole has a nominal rectangular 2 3/8" x 4 1/2" (4") or 3" x 5" (4.5", 5") inside opening in the pole shaft assembly. Included is an aluminum cover plate with attachment screws. The hand hole is located 18" above the base and 180° opposite the hinge.

POLE TOP CAP

Each RA pole assembly is provided with a removable composite friction-fit pole top cap. PRA poles do not require pole top caps.

FINISH

Poles are available with bronze, natural or black Aluminum Association Architectural Class 1 anodized finish. Electrostatically applied, thermally cured TGIC polyester powdercoat finish or liquid polyurethane is also available.

General Pole Information

DESIGN

The poles as charted are designed to withstand dead loads and predicted dynamic loads developed by variable wind speeds with an additional 30% gust factor under the following conditions: The charted weights include luminaire(s) and/or mounting bracket(s). The wind velocities are based on 10 mph increments from 80 mph through 100 mph. Poles to be located in areas of known abnormal conditions may require special consideration. For example: coastal areas, airports and areas of special winds.

Poles are designed for ground mounted applications. Poles mounted on structures (such as buildings and bridges) may also necessitate special consideration requiring Gardco's recommendation. Height correction factors and drag coefficients are applied to the entire structure. An appropriate safety factor is maintained based on the minimum yield strength of the material incorporated in the pole.

WARNING

This design information is intended as a general guideline only. The customer is solely

responsible for proper selection of pole, luminaire, accessory and foundation under the given site conditions and intended usage. The addition of any items to the pole, in addition to the luminaire, will dramatically impact the EPA load on that pole. It is strongly recommended that a qualified professional be consulted to analyze the loads given the user's specific needs to ensure proper selection of the pole, luminaire, accessories, and foundation. Gardco assumes no responsibility for such proper analysis or product selections. Failure to insure proper site analysis, pole selection, loads and installation can result in

pole failure, leading to serious injury or property damage.

GENERAL INFORMATION

Mounting height is the vertical distance from the base of the lighting pole to the center of the luminaire arm at the point of luminaire attachment. Twin arms as charted are oriented at 180° with respect to each other. For applications of two (2) arms at 90° or other multiple arm applications, consult the factory.

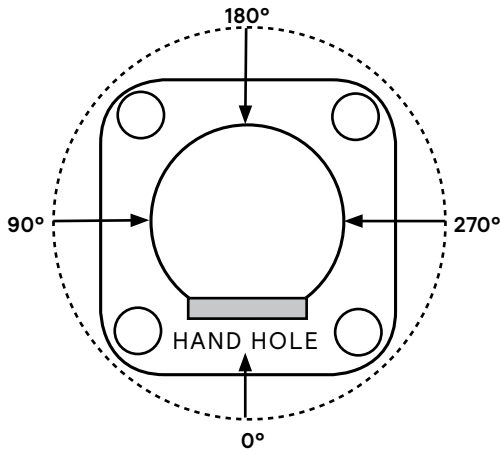
WARRANTY

Gardco poles feature a 1 year limited warranty. See Warranty Information on www.signify.com/warranties for complete details and exclusions.

Poles Straight Round Aluminum - Hinged Base

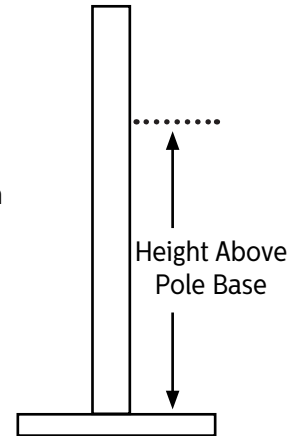
Orientation Information

Factory installed options and accessories



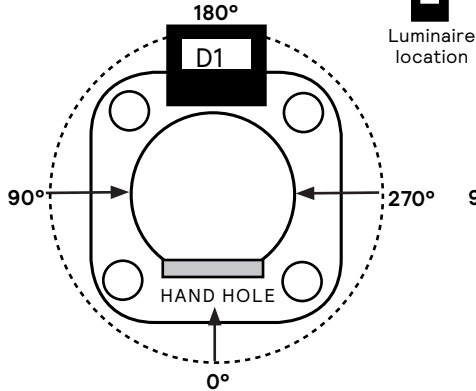
Orientation is measured clockwise from the Hand Hole Center.

For Factory Installed Options and Accessories, Specify Orientation from Hand Hole and Height Above Pole Base Where Required.

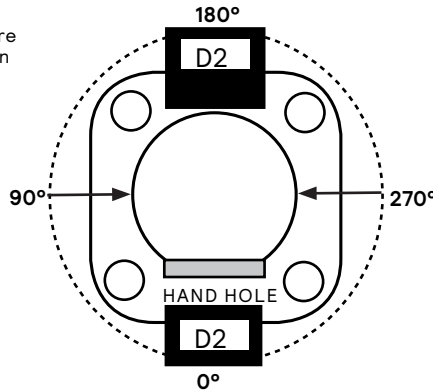


Standard arm mount luminaire orientation

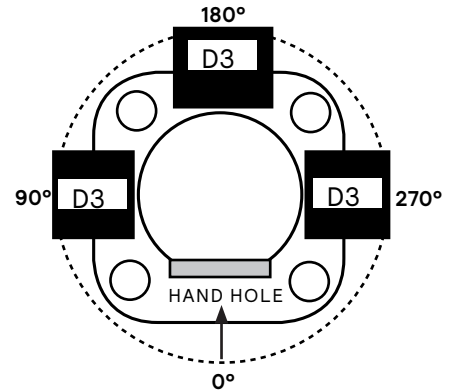
D1 Drilled for Single Luminaire



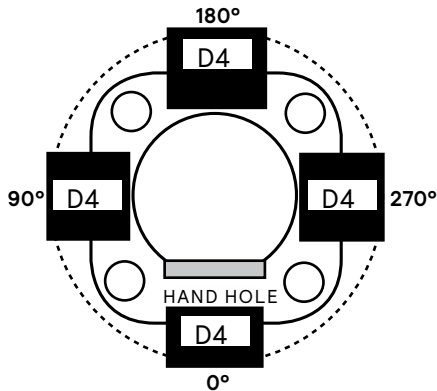
D2 Drilled for 2 Luminaires at 180°



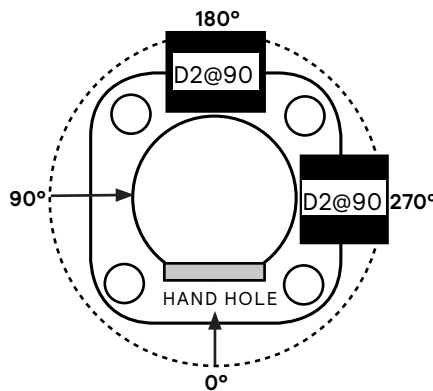
D3 Drilled for 3 Luminaires @ 90°



D4 Drilled for 4 Luminaires at 90°



D2@90 Drilled for 2 Luminaires at 90°



D3@120 Drilled for 3 Luminaires at 120°

