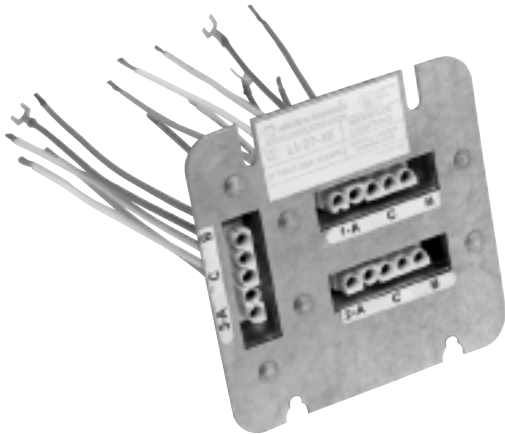
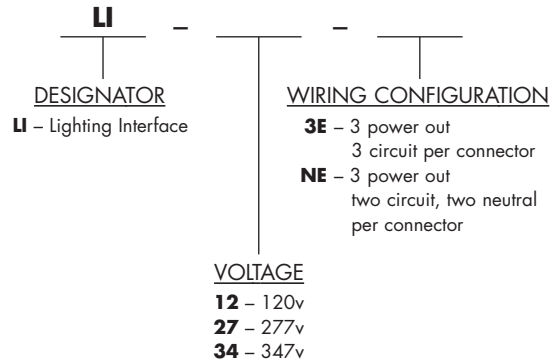


**LIGHTING INTERFACE**



**SAMPLE CATALOG NUMBER: LI-27-3E**



**APPLICATION**

- Distribution interface is the starting point for the Electro/Connect flexible wiring system.
- Branch circuits are brought to the interface from a lighting panelboard by conventional conduct and wire.
- The circuits are spliced to the leads of the interface for distribution, as required.
- The (LI) is mounted to a 4-11/16" square junction box.

**ELECTRICAL**

Day-Brite Lighting is a Philips group brand

- UL/cUL listed.

**CONSTRUCTION**

- Three 20 amp multi-wire circuit capability per connector.
- Three power-out connectors, flush mounted, prewired with #12 AWG THHN stranded copper wire, 600 volt.
- Interface plate formed from 14 gauge cold rolled steel.
- Keyhole slots for direct mounting to a 4-11/16" square junction box.

**PHILIPS**

**Job Name:**

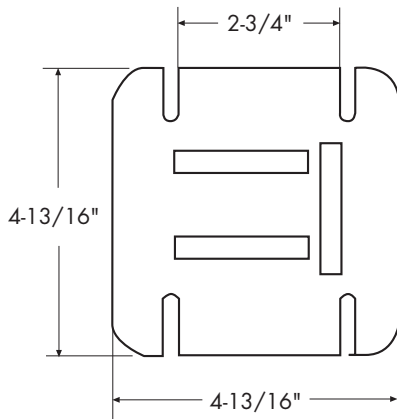
Catalog Number:

Type:

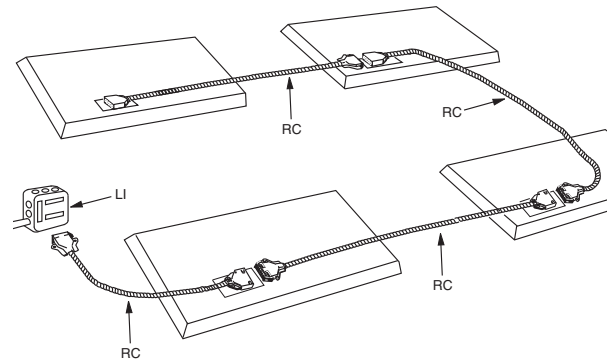
Notes:

**ecc 1060**

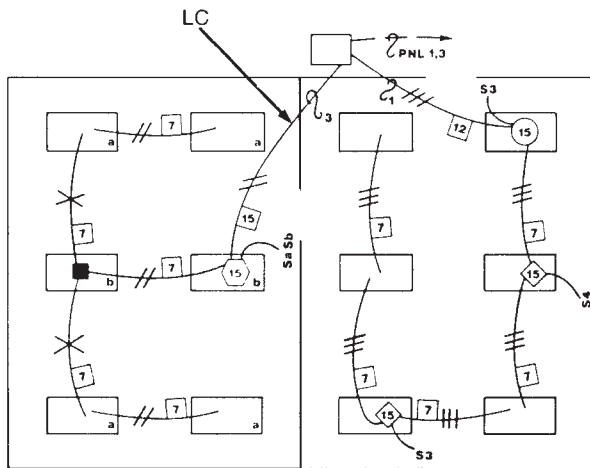
**DIMENSIONS**



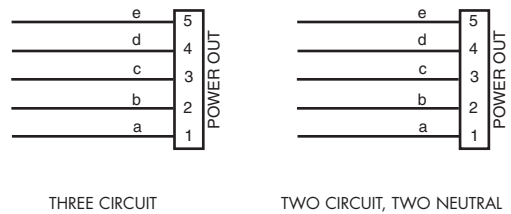
**APPLICATION**



**WIRING**



**WIRING DIAGRAM**



WIRING COLOR LEGEND			
120v		277v	
a	Black	a	Orange
b	White	b	White
c	*Blue	c	*Yellow
d	Green	d	Green
e	Red	e	Brown