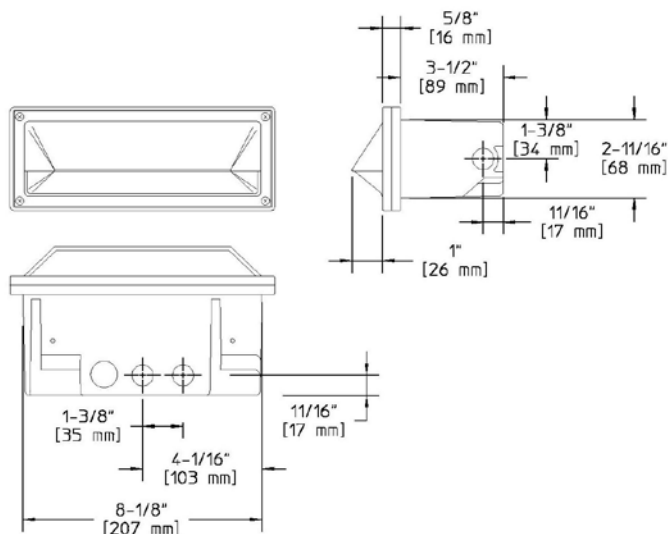


Project: _____
 Location: _____
 Cat.No: _____
 Type: _____
 Lamps: _____ Qty: _____
 Notes: _____



Ordering Guide

Example: RSB2 A T5 I E P

Product Code	RSB2	Polycarbonate Steplyte
Finish	A H	Black Bronze
Optics	T5	Symmetric Optics
Wattage	I F F18	40W T10 13W CFL 18W CF
Voltage	E H	120V 277V
Thermal Protection	P	Thermal Protection Device *1

*1 Thermal protection device is required for installations in drywall, plaster, "P" to the catalog number to order.

Specifications

HOUSING:

Die-cast aluminum back box contains less than 0.3% copper to prevent corrosion in concrete or masonry applications. Gasketing is silicone. Fasteners are 300 series stainless steel. Die-cast aluminum trim ring contains less than 0.3% copper to resist corrosion. Note: Recessed housing contains four (4) 1/2" NPS conduit inlets (two (2) on bottom and one on each side) and internal pull-through wiring compartment. Thermal Protection device is required for installations in drywall, plaster, wood or other non-masonry materials.

FINISH:

Thermoset polyester powdercoat is electrostatically applied after a five-stage conversion cleaning process and bonded by heat fusion thermosetting. Zinc-rich primer and thermoset powdercoat for durability. Composite is pressure formed, molded-in color.

OPTICAL ASSEMBLY:

UV stabilized, injection molded polycarbonate bubble faceplate, reinforced with frosted tempered glass, with stainless steel screws. Symmetric reflector is precision formed, semi-specular aluminum or highly polished aluminum, which produces a wide symmetric distribution for general area lighting.

LAMPING:

13W PLC Fluorescent (120V: GX23-2; 277V: G24Q-1). 18W CFL (G24Q-2). 40w maximum T10 (medium base socket). Lower wattage lamps are acceptable. Lamp is not included.

ELECTRICAL ASSEMBLY:

Fixture is pre-wired with 18 AWG black, white, and ground wires.

BALLAST:

The ballast for 18W CF shall be electronic 50 or 60Hz. The ballast for 9 and 13W CF shall be class B core and coil HPF rated for 0 degree starting temperature. 13W Fluorescent 120V: Core and coil, NPF, 0°C minimum start. 13W 277V: Electronic, 0°C minimum start.

WARRANTY:

Three-year limited warranty.

CERTIFICATIONS:

ETL listed to U.S. safety standards for wet locations. cETL listed to Canadian safety standards for wet locations. Manufactured to ISO 9001:2008 Standards. ADA Compliant when used in indoor and outdoor wall applications.

Height :

3 1/2" (89mm)

Width:

9" (229mm)

Depth:

4 1/2"

RSB2 Steplyte

Polycarbonate

Specifications

Housing Height:

2 11/16" (68mm)

Housing Width:

8 1/8" (207mm)

Max. Weight:

1.45 lb

