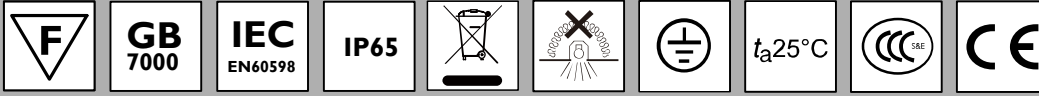


GreenSpace Surface Downlight/LED明装筒灯

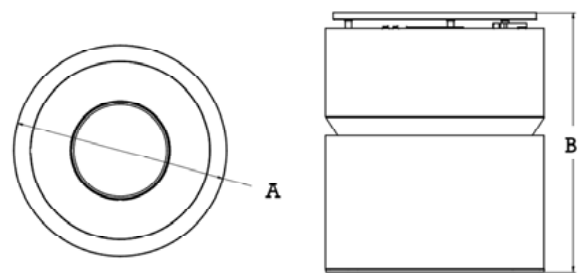
Mounting instruction/ 安装说明

4441 000 98611

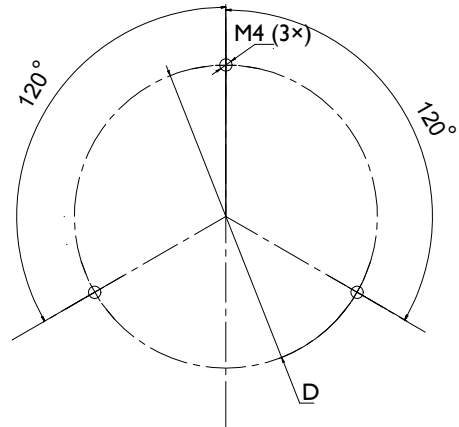


Type Number 产品型号	LEDs 颗粒数	Power 功率	Voltage 电压	Frequency 频率	
SM295C LED68 WP	70	66W	220-240V	50/60 Hz	2.2
SM294C LED40 WP	74	36W	220-240V	50/60 Hz	2.2

Dimension 灯具尺寸	A (mm)	B (mm)
SM295C LED68 WP	Φ200	239
SM294C LED40 WP	Φ200	239

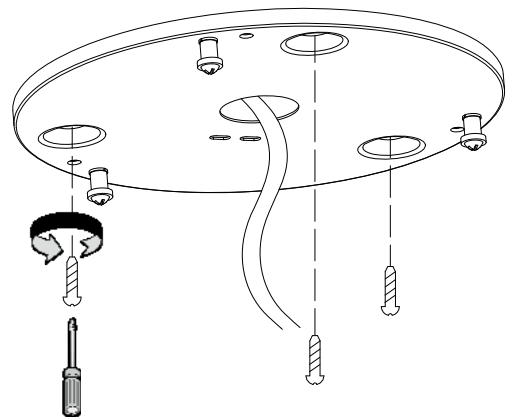


1 Make three holes on the ceiling for M4(3x) Screws
在天花板上开3个孔用于安装M4螺钉



灯具型号Type	D (mm)
SM295C LED68 WP	Φ146
SM294C LED40 WP	Φ146

2 Fix the Base on the ceiling with three Screws (not included)
Then make the Luminaire safety rope Suspend The ceiling plate
用螺钉将地盘固定在天花板上（螺钉另购）
将灯具上的安全绳挂到地盘上

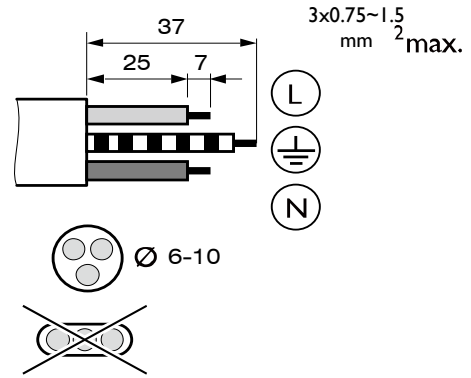


3

Connect entry cable
连接电源线

Please connect the cable to the terminal box (IP65 or above), then place the terminal box into the ceiling.

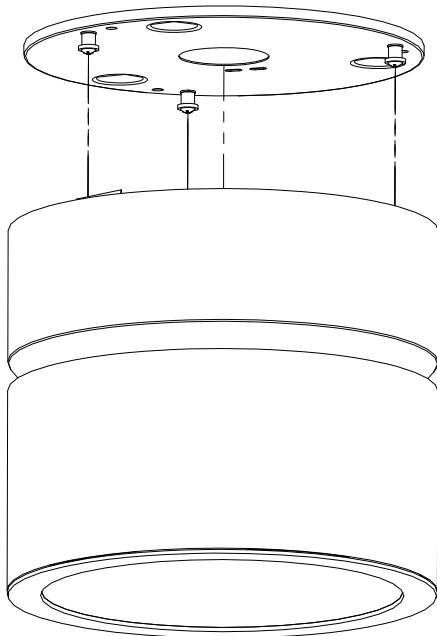
请使用IP65以上的接线盒, 接线完成后将接线盒放置到天花内, 飞利浦不提供接线盒。



Remark: Terminal box is not provided by philips. 注意: 接线盒不含在此灯具内。

4

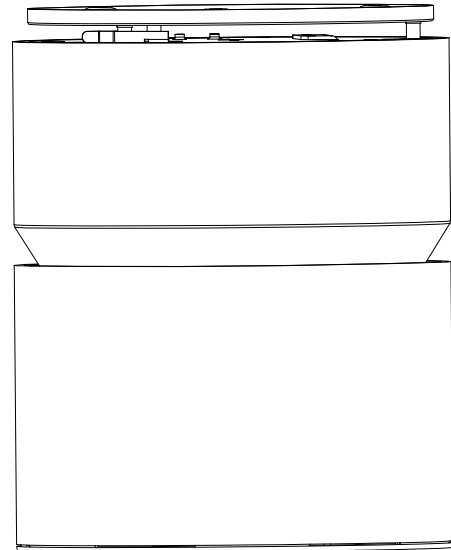
Make the Luminaire towards the Base on 3 screws then rotate .
将灯具安装到地盘上, 并逆时针旋转



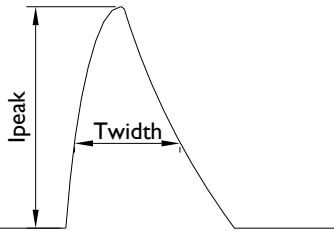
5

To make sure the Luminaire can rotated in right place
请确保灯具旋转到位

Click



Inrush Current



	SM295C WP	SM294C WP		
Ipeak (A)	25	25		
Twidth (µs)	202	202		
MCB	Max. Luminaire No. per MCB			
Type B 16A	24	24		



- The luminaire shall be installed by a qualified electrician and wired in accordance with the latest IEE electrical regulations or the national requirements.
灯具应由有资格的电工安装, 接线要符合IEE 电气标准或国家标准。
- The luminaire is complied to IEC 60598-1 ed.8 or GB 7000.1-2007.
此灯具是依据IEC60598-1 ed.8 或国标GB 7000.1-2007所制造。
- The luminaire shall, under no circumstance, be covered with insulation matting or similar material.
灯具不能被隔热衬垫或类似材料覆盖。
- Do not switch on before complete installation.
接线过程中, 切勿通电。
- The light source of this luminaire is not replaceable; when the light source reaches its end of life the whole luminaire shall be replaced.
灯具中光源不可更换; 当灯具寿命终结时, 请更换整个灯具。
- If the external flexible cable or cord of this luminaire is damaged, it shall be exclusively replaced by the manufacturer or his service agent or a similar qualified person in order to avoid hazard.
如果此灯具外部软电缆或软线发生损坏, 该线要由制造商或其服务代理商或一个有资格的人更换, 以避免发生危险。