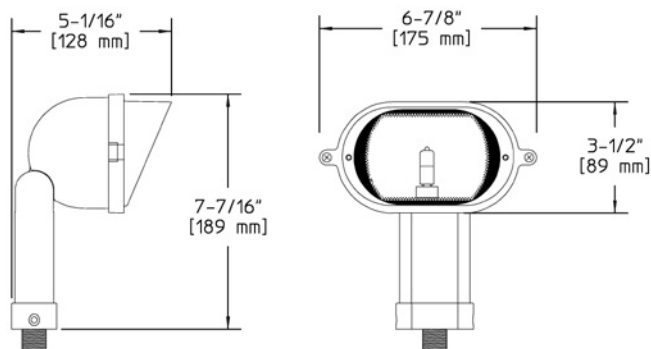


Project: _____
 Location: _____
 Cat.No: _____
 Type: _____
 Lamps: _____ Qty: _____
 Notes: _____



Ordering Guide

Example: WAMT14 F A

Product Code	WAMT14	Aluminum Floodlyte
Lens	F	Frosted Lens *1
Finish	A	Black
	H	Bronze

*1 Frosted lens is optional.

Specifications

HOUSING:

Die-cast aluminum. Gasketing is silicone. Fully-adjustable swivel arm with vibration-proof locking teeth. Fasteners are 300 series stainless steel. 1/2" NPS male threads to screw onto accessory mounting stake or junction box, sold separately.

FINISH:

Thermoset polyester powdercoat is electrostatically applied after a five-stage conversion cleaning process and bonded by heat fusion thermosetting. Laboratory tested for superior weatherability and fade resistance in accordance with ASTM B117 specifications.

OPTICAL ASSEMBLY:

Clear tempered glass lens.

LAMPING:

50W maximum T4 halogen. Lamp is included with fixture. Lower wattage lamps are acceptable.

ELECTRICAL ASSEMBLY:

Bi-pin socket type (GY6.35) with 250° C high temperature teflon coated wire leads. Fixture is pre-wired with 18 AWG black, white, and ground wires. Step-down transformer reduces line voltage to 12 volts. Transformer is potted/encapsulated and features thermal overload protection. Can be used with energy-efficient halogen lamp.

WARRANTY:

Three-year limited warranty.

CERTIFICATIONS:

ETL listed to U.S. safety standards for wet locations. cETL listed to Canadian safety standards for wet locations. Manufactured to ISO 9001:2008 Standards.

Height :

7 7/16" (189mm)

Width:

6 7/8" (175mm)

Length:

5 1/16" (128mm)

Max. Weight:

2.17 lb.

