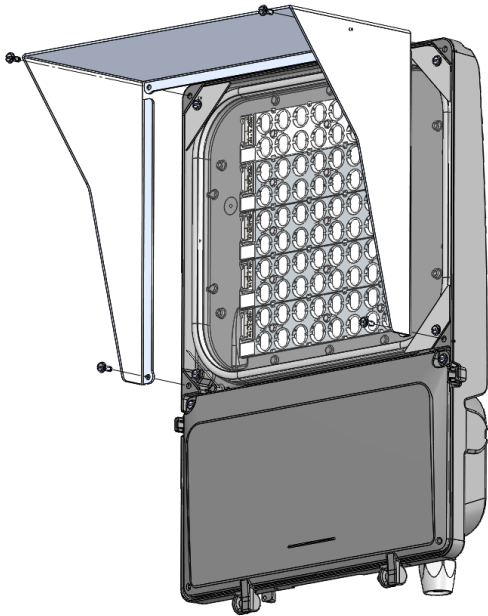


VSR-Visor

Can be installed top or bottom

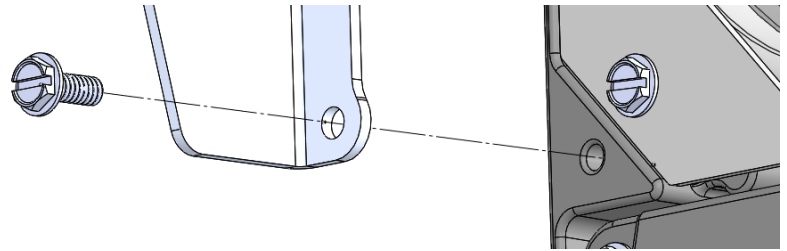


STEP 1:

Align Visor mounting holes to mounting points on housing.

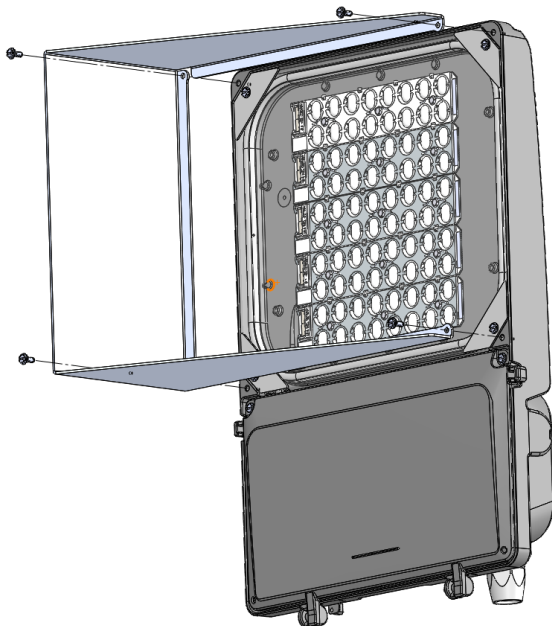
STEP 2:

Secure Visor to housing using the provided slotted hex head 10-24 x 1/2" screws using 27 in-lbs torque.



GSH-Glare Shield

Can be installed left or right

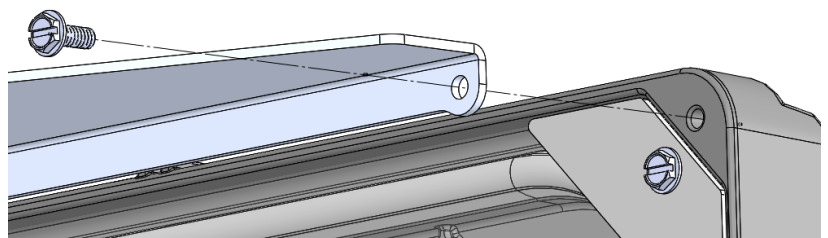


STEP 1:

Align Glare Shield mounting holes to mounting points on housing.

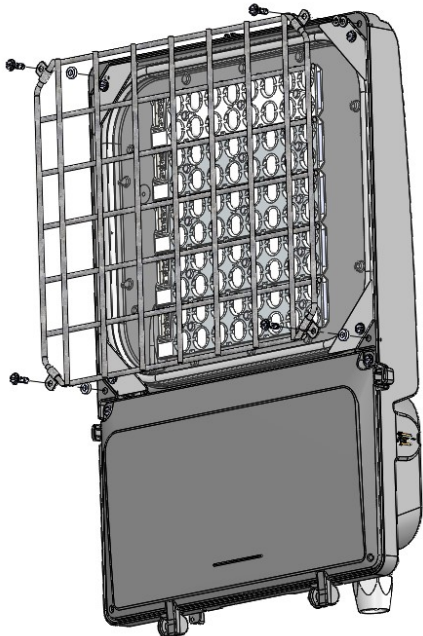
STEP 2:

Secure Glare Shield to housing using the provided slotted hex head 10-24 x 1/2" screws using 27 in-lbs torque.



DuraForm Accessory Installation Instructions

WRG-Wireguard



STEP 1:

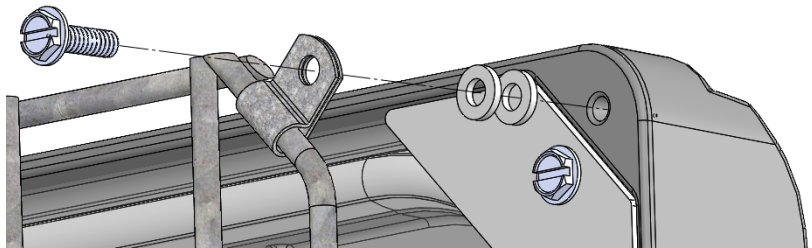
Align Wireguard to mounting points on housing as shown below.

STEP 2:

Insert two of the provided spacers between the wireguard clip and the housing.

STEP 3:

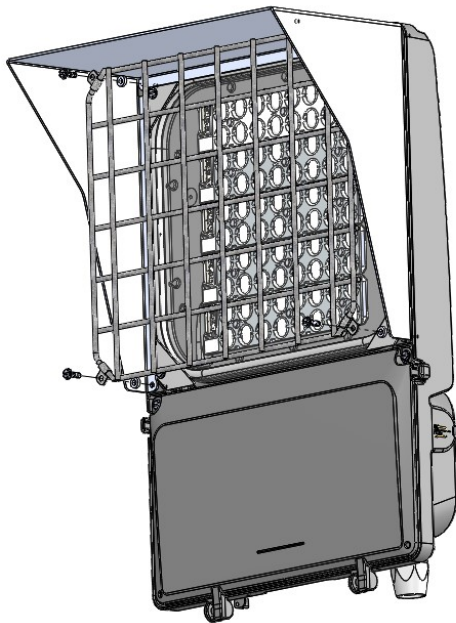
Secure Wireguard to housing using the provided slotted hex head 10-24 x 5/8" screws using 27 in-lbs torque.



WRG + VSR or GSH

Wireguard nested in Visor or Glare Shield

Note: Wireguard can be mounted over Visor or Glare Shield. When nesting wireguard and Visor or Glare Shield together use the longer 5/8" screws that are provided with the Wireguard.



STEP 1:

Align Visor or Glare Shield and Wireguard to mounting points on housing as shown below.

STEP 2:

Insert two of the provided spacers between the wireguard clip and the Visor or Glare Shield.

STEP 3:

Secure Wireguard to housing using the provided slotted hex head 10-24 x 5/8" screws using 27 in-lbs torque.

