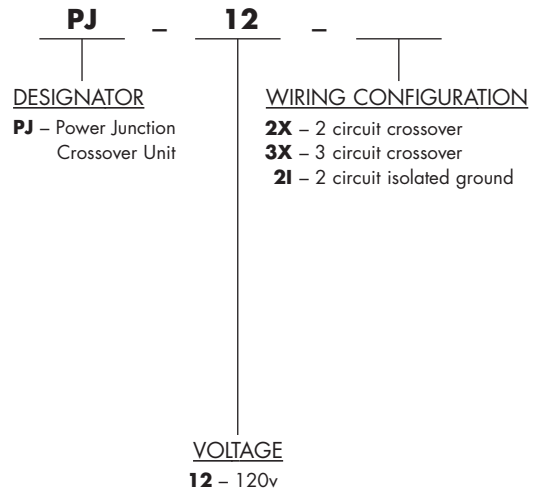


**POWER JUNCTION  
(CROSSOVER UNIT)**



**SAMPLE CATALOG NUMBER: PJ-12-2X**



**APPLICATION**

- The crossover unit provides a transfer of circuits within a two or three circuit system to eliminate paralleling cable runs.

**ELECTRICAL**

- UL/cUL listed.

**CONSTRUCTION**

- Unit is low profile, 2-13/16" x 2-13/16" x 13/16"
- Thru-wired for three circuits, third circuit is isolated ground as required.
- Die cast housing with zinc plated steel cover plate.
- Internal wires are #12 AWG THHN stranded copper, 600 volt.

**Job Name:**

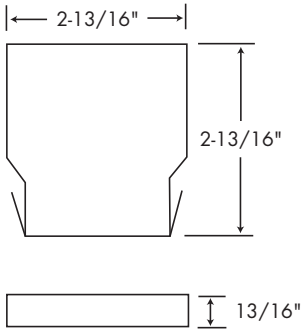
Catalog Number:

Type:

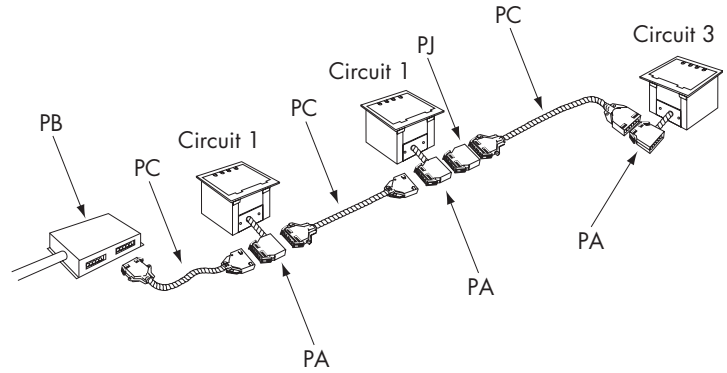
Notes:

**ecp5035**

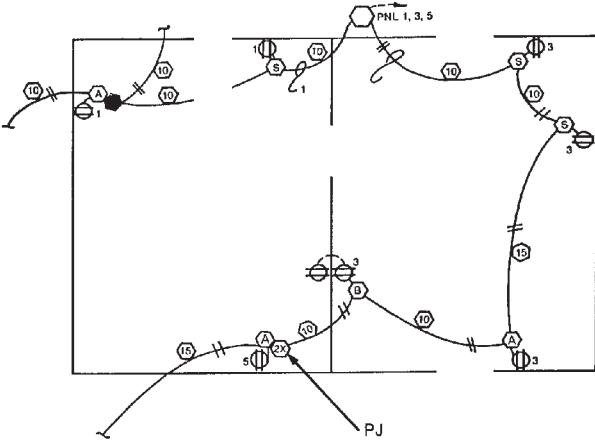
**DIMENSIONS**



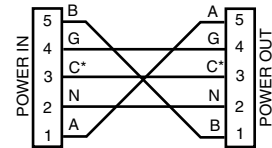
**APPLICATION**



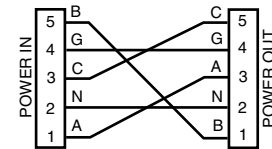
**WIRING**



**WIRING DIAGRAM**



TWO CIRCUIT CROSSOVER  
\* ISOLATED GROUND AS REQUIRED.



THREE CIRCUIT CROSSOVER

**Color Legend**

A	Black
B	Red
C	Blue
G	Bare
N	White