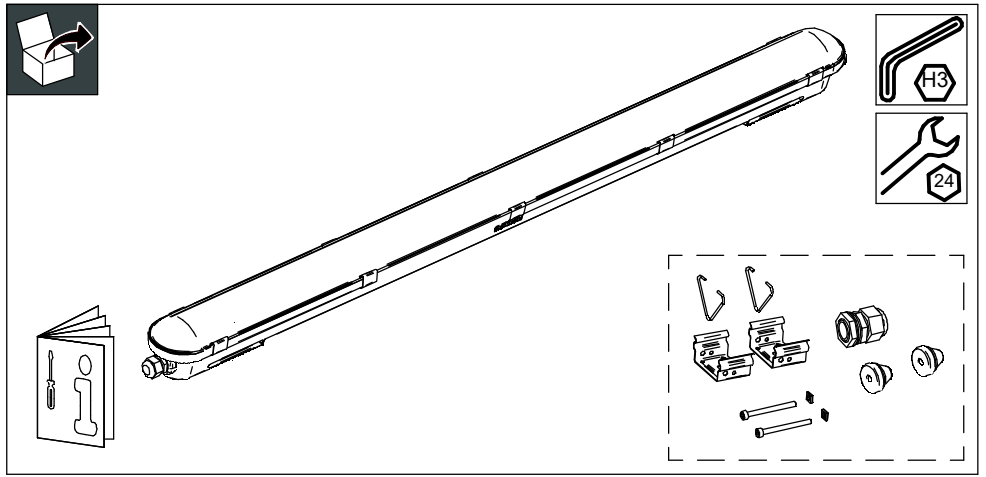


PHILIPS

CoreLine
Waterproof

WT120C EL



220 V
240 V

50 Hz
60 Hz



Max. 25 °C
Min. 0 °C



LIFETIME
50k HRS



IP65

IK08

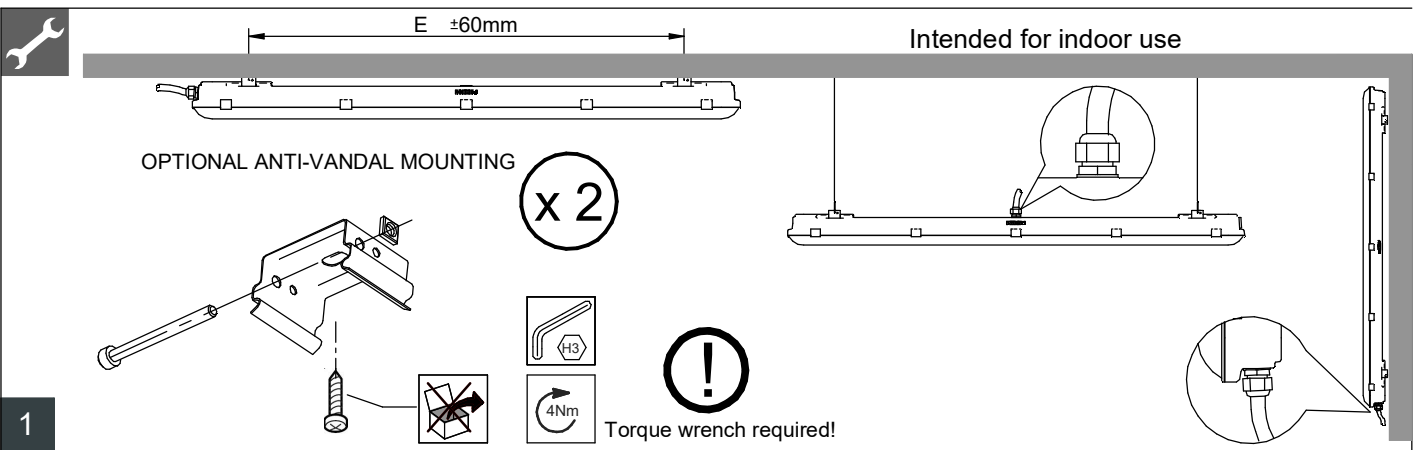


GLOW WIRE
850 °C



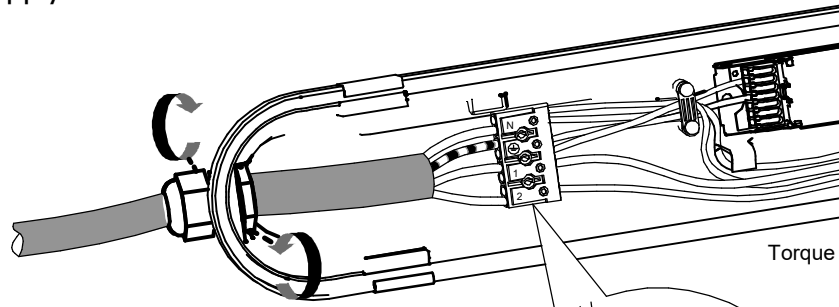
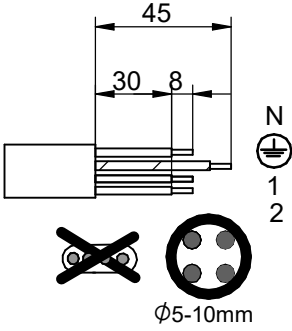
	System light output (Lm)	System light output Emergency mode (Lm)	Color temperature (K)	(kg)
WT120C LED22S/840 PSU L1200 EL1	2900	390	4000	2,3
WT120C LED22S/840 PSU L1200 EL3	2900	390	4000	2,5
WT120C LED40S/840 PSU L1200 EL1	4100	390	4000	2,3
WT120C LED40S/840 PSU L1500 EL3	4100	390	4000	2,5
WT120C LED34S/840 PSU L1500 EL1	3500	390	4000	2,5
WT120C LED34S/840 PSU L1500 EL3	3500	390	4000	2,7
WT120C LED60S/840 PSU L1500 EL1	6000	380	4000	2,5
WT120C LED60S/840 PSU L1500 EL3	6000	380	4000	2,7
WT120C LED80S/840 PSU L1500 EL3	8000	380	4000	2,7

Type	Dimension (mm)						Nr. of clips
	A	B	C	D	E	F	
WT120C LED22S L1200	82	1250	87	38	960	96	10
WT120C LED40S L1200							
WT120C LED34S L1500		1530					
WT120C LED60S L1500							
WT120C LED80S L1500							



! Switch off the power supply before installation

□0,75-2,5mm²

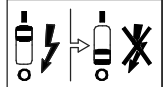


UN-SWITCHED / NON-MAINTAINED LINE

SWITCHED / MAINTAINED LINE

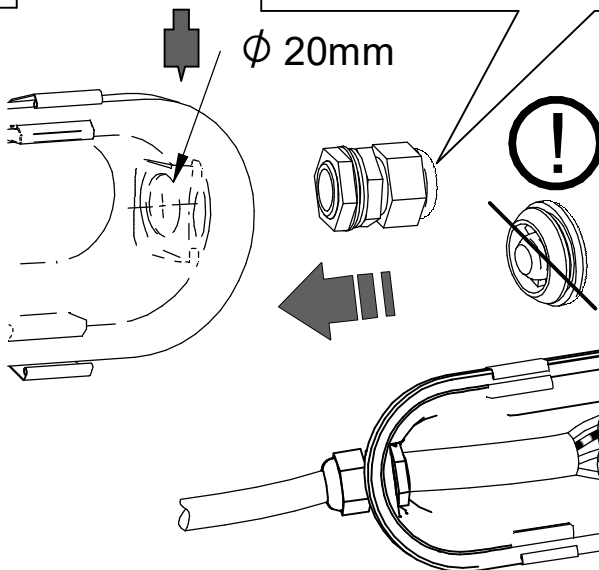
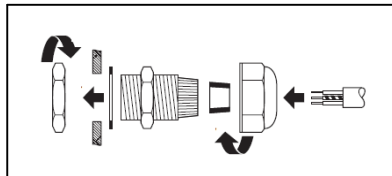
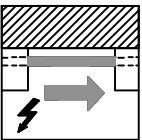


Torque wrench required!

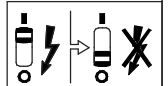


2

THROUGH WIRING

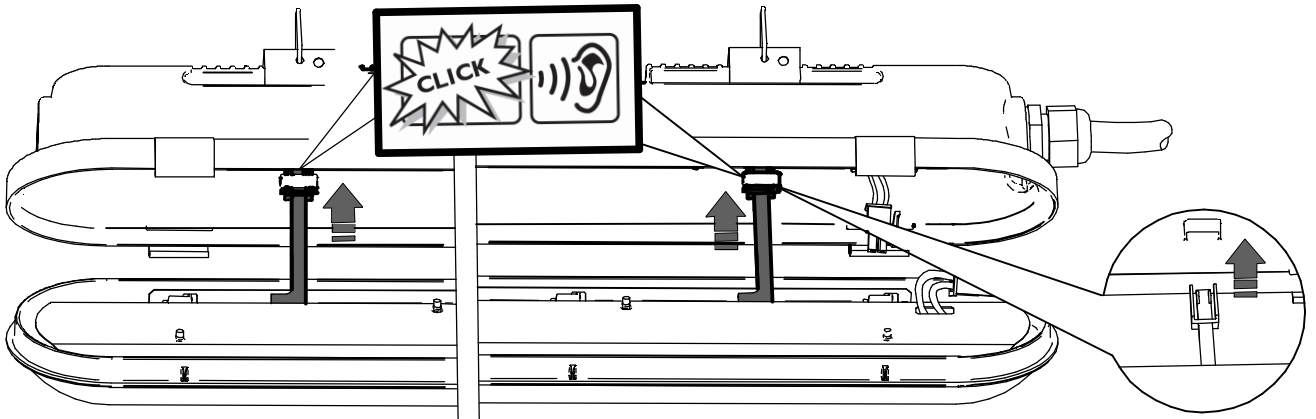


Torque wrench required!

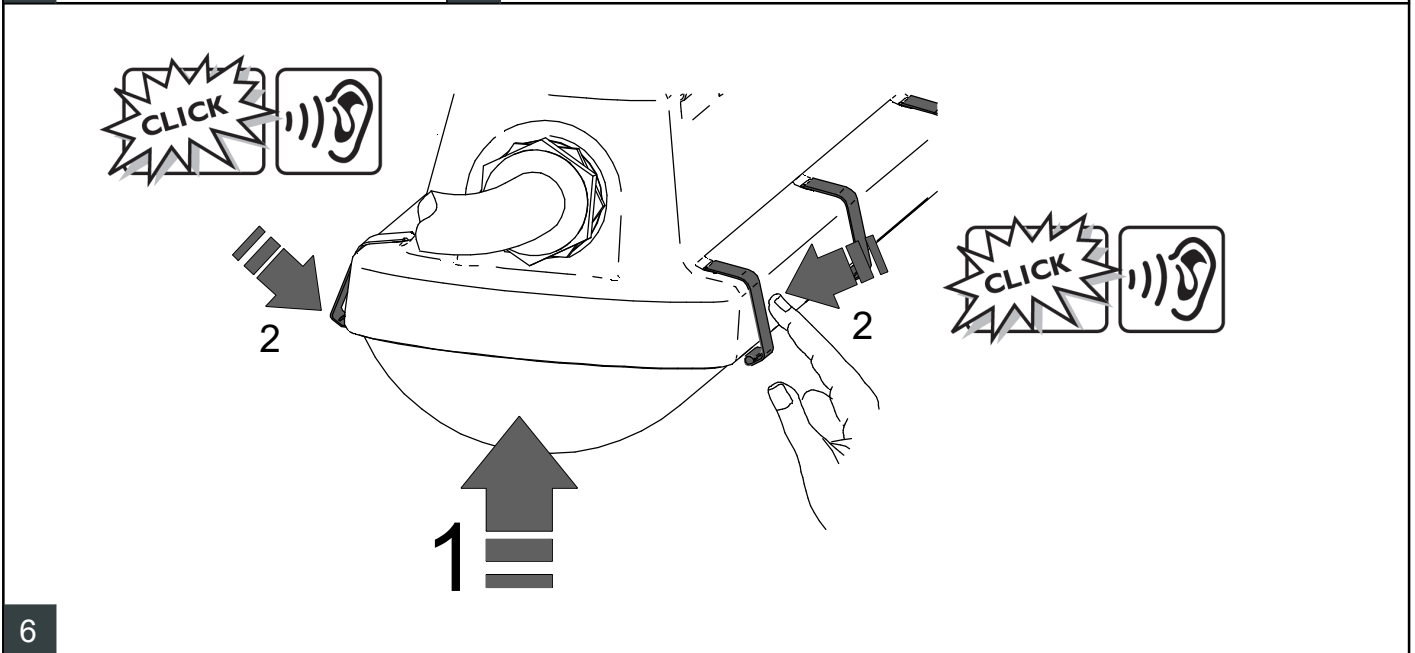
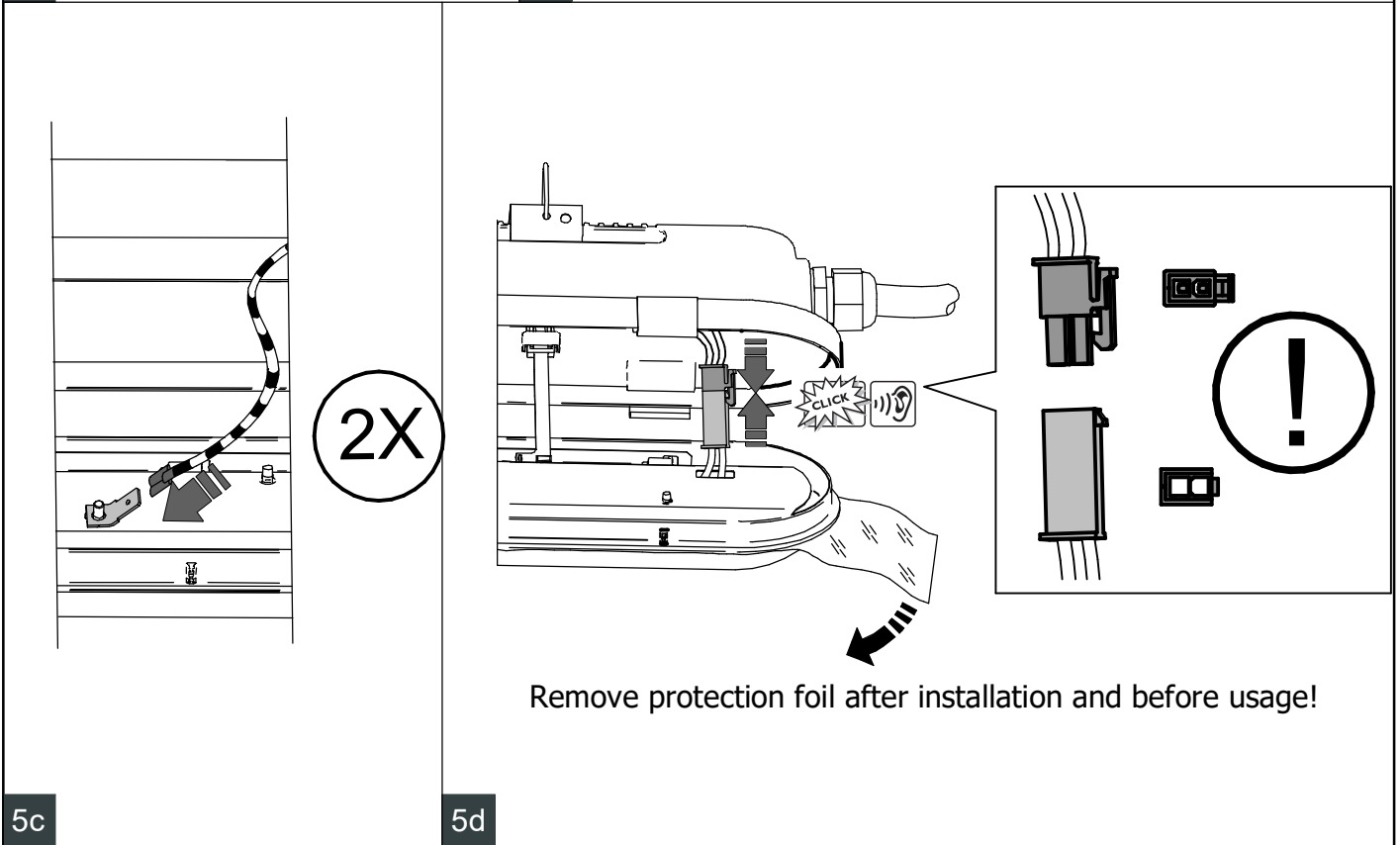
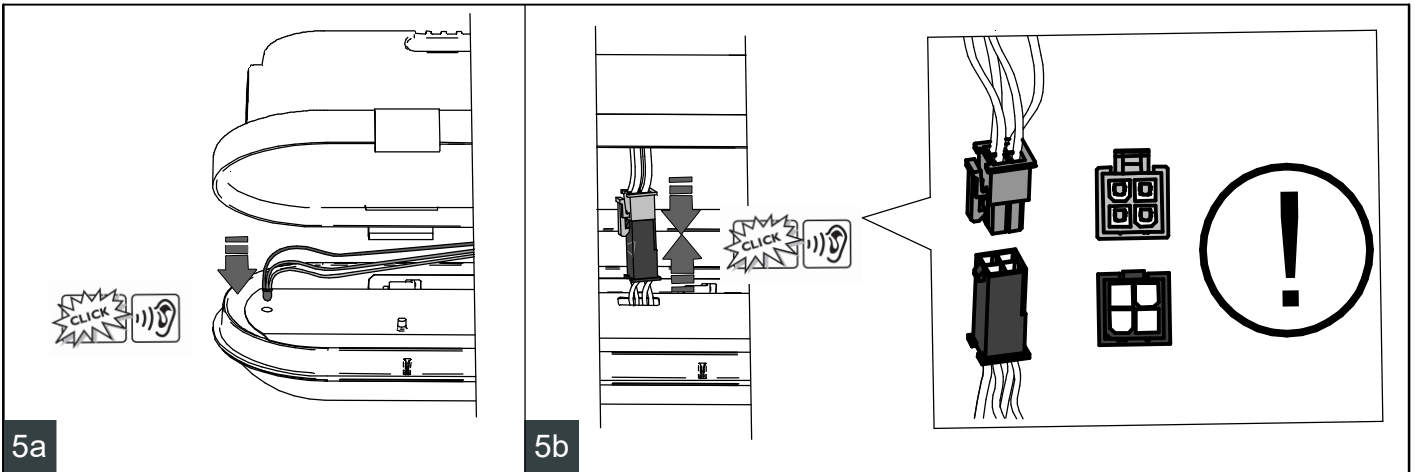


3

USE ONLY OPTICAL SUB-ASSEMBLY THAT DELIVERED WITH HOUSING IN ONE BOX



4

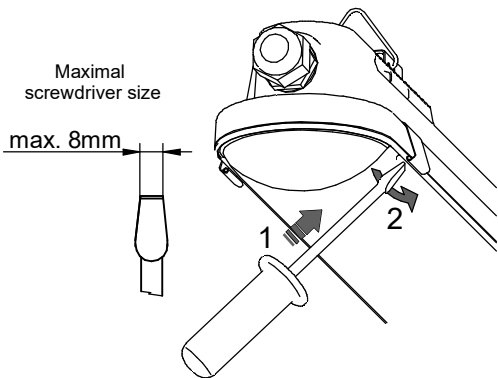


SERVICE (DRIVER REPLACEMENT)

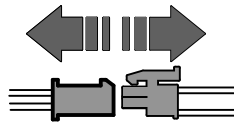
The batteries have a life time expectancy of 4 years.

Light source (LED) is non-user replaceable. The light source contained in this luminaire shall only be replaced by the manufacturer or his agent or a similar qualified person.

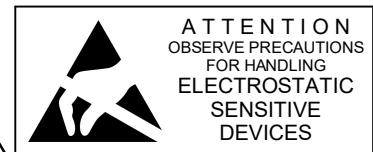
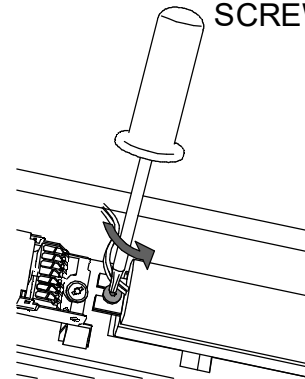
A) OPEN LUMINAIRE



B) DECOUPLE BATTERY WIRES



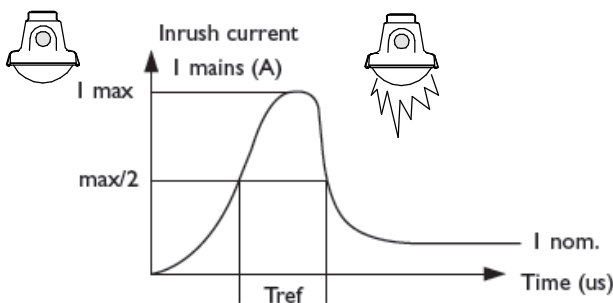
C) UNTIGHT BATTERY SCREWS



ATTENTION
OBSERVE PRECAUTIONS
FOR HANDLING
ELECTROSTATIC
SENSITIVE
DEVICES

7 Do not touch electronic components!
Electronic components may be under high voltage.

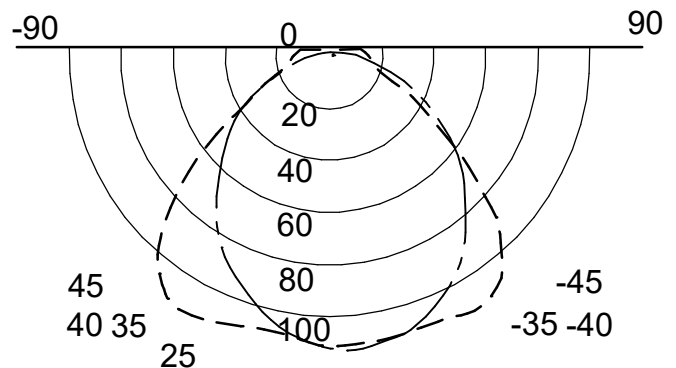
	LED22S	LED34S	LED40S	LED60S	LED80S
I_{peak} [A]	15,1	15,1	15,1	17,8	6,02
Twidth [μ s]	230	230	230	282	65
Drivers / MCB 16A type B [max.]	33	33	33	24	18
Drivers / MCB 10A type B [max.]	20	20	20	15	11
Drivers / MCB 16A type C [max.]	56	56	56	40	30
Drivers / MCB 10A type C [max.]	34	34	34	24	18



LIGHT INTENSITY DISTRIBUTION CURVES EMERGENCY MODE

--- C 0-180 PLANE

--- C 90-270 PLANE



Maintenance instructions

To assure the lighting quality of this unique LED lighting concept there are only a few instructions regarding the maintenance of this LED luminaire:

- * Do not stare into LED light beam.
- * The luminaire shall be installed by a qualified electrician and wired in accordance with the latest IEE electrical regulations or the national requirements.
- * Above average concentration of sulfur effects the useful lifetime of the product.
E.g: Light color changes from white to blue. Typically in chicken & pig farms.

