

TruGroove recessed micro delivers the perfect combination of slender aesthetic and lighting control, creating luminous environments with exceptional uniformity and wide row spacing from a 1.75" aperture continuous line-of light. An extended family and refined design are perfect for lighting any professional space.

Project: _____

Location: _____

Cat.No: _____

Type: _____

Line ID: _____ Qty: _____

Notes: _____

Ordering guide

example: 2301LBKQS3087DE

Family	Type	Source	CRI/CCT1	Lumens ¹	Optics	Housing	Ceiling/Trim	Run Length ^{3,4}	Wiring ²		
23		L			Q						
23 TruGroove recessed micro	01 Performance Symmetric	L LED	A 80CRI/4000K	E 3100 lm/4ft	Q Flush Meso Lens	S Standard	1 T-Grid	02 2ft	7 1cct Dimming		
	08 Performance Asymmetric		B 80CRI/3500K	G 2200 lm/4ft			3 Drywall Trimless	03 3ft		M 1cct Dimming + EM Wiring	
			C 80CRI/3000K	K 1500 lm/4ft			4 Drywall Trim	04 4ft			N 1cct Dimming + EM Batt. Pack
			S 90CRI/3500K	M 1000 lm/4ft				05 5ft			
								06 6ft			
				08 8ft							
							xx Continuous Run + Odd lengths (please specify)				
Voltage	Driver	Option	Sensor								
D UNV 120-277V	E Advance 0-10V (1% Dim)	(leave blank)	(leave blank)								
3 347V											
D UNV 120-277V	S Advance Sensor Ready (5% Dim)	N No Option	SZ SpaceWise DT Occupancy & Daylight Sensor								

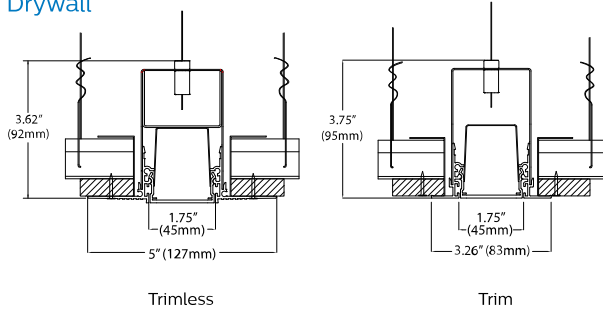
1. Nominal values within a range. Consult photometry data for CRI, color temp, lumens & distribution of chosen configuration.
2. Not all wiring types are available with all configurations. Consult Ledalite for a complete list of available options.
3. Available in continuous run lengths from 6ft in steps as small as 1/8in for 1000lm/4ft, 1500lm/4ft & 2200lm/4ft symmetric configurations.
4. All 3100lm/4ft and asymmetric configurations can be specified in 1ft steps. 2ft standalone modules are not available in asymmetric.



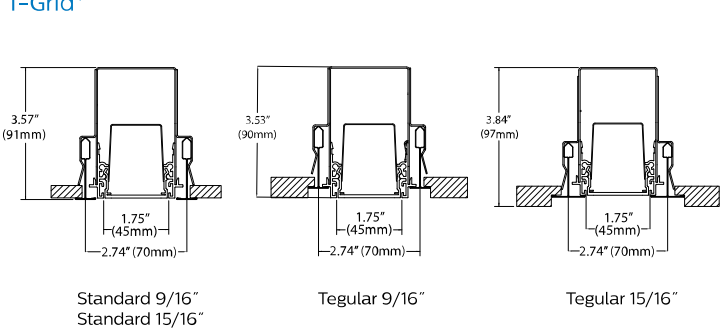
TruGroove linear recessed micro

Ceiling Types

Drywall

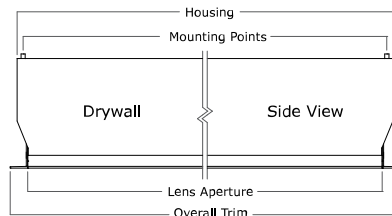
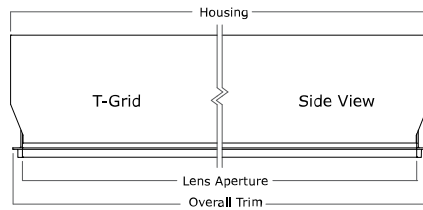


I-Grid™

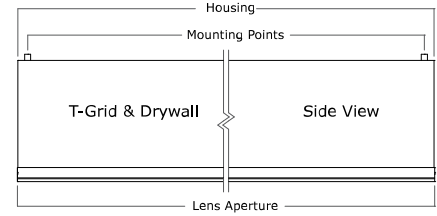


Module Details & Dimensions

Standalone



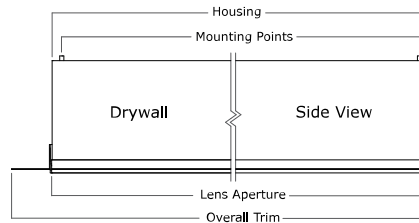
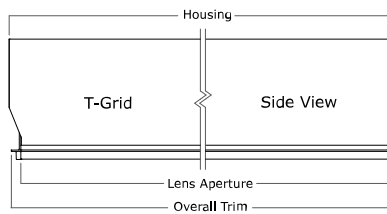
Mid-Run



Standalone						
Nominal	Housing	Lens	Mounting Points	Trim - T-Grid	Trim - Drywall Trimless	Trim - Drywall Trim
2ft	23.9\"/>					

Mid-Run		
Nominal	Housing & lens	Mounting Points
2ft	24.0\"/>	

End-Run



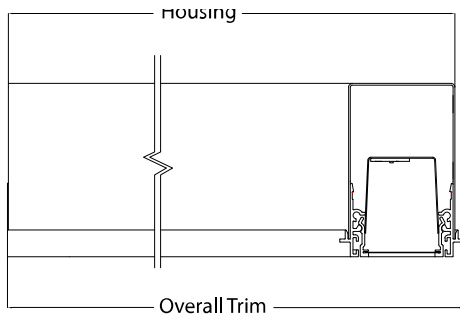
End-Run						
Nominal	Housing	Lens	Mounting Points	Trim - T-Grid	Trim - Drywall Trimless	Trim - Drywall Trim
2ft	24.0\"/>					

TruGroove linear recessed micro

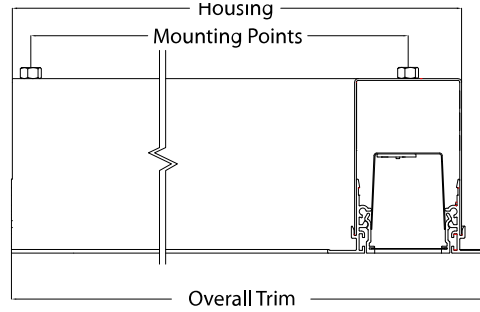
Corner details and dimensions

Flat 90° Lit Corner Units (Side Views)

T-Grid



Drywall Trimless



Nominal Length	Housing	Lens	Mounting Points	Trim - T-Grid	Trim - Drywall Trimless	Trim - Drywall Trim
2x2ft Flat	25.1"/637mm	N/A	23.6"/600mm	25.3"/642mm	26.5"/673mm	25.6"/651mm

Ceiling/Trim Options

T-Grid



Drywall Trimless



Drywall Trim



TruGroove linear recessed micro

Specifications

Optical System

White light emitted from the LED sources is redirected by a precisely formed reflector and exits through the optical lens assembly. This assembly contains an acrylic extrusion profile retaining a layer of MesoOptic film, creating both an uninterrupted continuum of light and an optical batwing or asymmetric distribution from a 1.75" flush aperture.

Finish

Extruded aluminum trim and die-cast endplates coated with electrostatically applied and thermally cured polyester. Powder coat paint finish. White sensors only.

Housing

Die-formed 20 gauge cold-rolled steel. Multiple upper wire entrances available for continuous row mounting of fixtures.

Weight

Maximum 2.8lb/ft.

Electrical

Factory pre-wired to section ends with quick-wire connectors.

QuickShip

Upon request, TruGroove recessed micro can be made to order and shipped in 10-working days from receipt of order. Some configurations excluded. Limit of 500' linear feet per order.

Controls

Certain configurations available with: SpaceWise DT Occupancy & Daylight Sensors w/ advanced grouping & Dwell Time.

**SpaceWise DT commissioning is via a compatible Android phone Field App. Compatible wireless dimming wall switches are available for dimming.*

Standard Drivers

Advance Xitanium 0-10V, 1-100%. Advance Xitanium Sensor Ready, 5-100% (SpaceWise DT). Class 2 rated output. Consult Ledalite for other available drivers.

Standard Battery Pack

Bodine, 90 min, 10W, Class 2 rated output, Emergency lumen output = 10W x luminaire efficacy x 1.1. Typical output: 1100lm.

Lumen Maintenance

LEDs have been tested by the manufacturer in accordance with IESNA LM-80-08. At an ambient temperature of 25°C in non-insulation contact applications the LED lumen maintenance expectation according to IES TM-21-11-A is:
CRI>80:

L90 (10k) >60,000 hrs (Reported methodology)

L80 (10k) 128,000 hrs (Calculated methodology).

CRI>90:

L90 (10k) 59,000 hrs (Reported methodology)

L80 (10k) 118,000 hrs (Calculated methodology).

Source Color

LEDs rated for color rendering CRI >80, R9 >0 and fixture to fixture color accuracy within 2 SDCM. Available 90 CRI option is rated for CRI >90, and R9 >60.

Mounting

Mounting brackets on housing sides support T-Grid installation. 1/16" diameter aircraft cable with self-locking, tamper-resistant, miniature cable gripper provides vertical adjustment for drywall. Aircraft cable, crimp and gripper independently tested to meet stringent safety requirements.

Joints

Self-aligning joining system with hands-free pre-joining wire access.

Approvals

Certified to UL, CSA and IES standards. Insulation Contact (IC) rated. Consult factory for DLC eligible configurations

Warranty

Five-year luminaire limited warranty including LED boards and driver.

Environment

Rated for operation in dry and damp locations in ambient temperatures of 25°C. Many luminaire components, such as reflectors, refractors, lenses, and LEDs are made from materials which can be adversely affected by airborne contaminants. If sulfur based chemicals, petroleum based products, cleaning solutions, or other contaminants are expected in the intended area of use, consult factory for compatibility. Damage caused by sulfur, chlorine, petroleum based solution or other contaminants are not covered under warranty.

TruGroove linear recessed micro

Photometrics

Performance Symmetric - Flush Meso Lens

Spacing Criteria: 1.12/1.69

(Click "IES" text to Download)

Lumen Package	Nominal CRI & CCT	Flux (lm)	Watts (W)	Efficacy (LPW)	CRI	R9	RP-1 VDT	DLC	Photometry Report	IES File
3100lm/4ft	80CRI, 4000K	3176	31.3	101.5	84	16	N/A	N/A	PDF	IES
	80CRI, 3500K	3154	31.5	100.1	82	11	N/A	N/A	PDF	IES
	80CRI, 3000K	3042	31.7	96.0	84	16	N/A	N/A	PDF	IES
	90CRI, 3500K	3085	37.0	83.4	94	71	N/A	N/A	PDF	IES
2200 lm/4ft	80CRI, 4000K	2277	21.9	104.0	84	16	Normal spaces	N/A	PDF	IES
	80CRI, 3500K	2261	22.1	102.3	82	11	Normal spaces	N/A	PDF	IES
	80CRI, 3000K	2181	22.2	98.2	84	16	Normal spaces	N/A	PDF	IES
	90CRI, 3500K	2213	25.6	86.4	94	71	Normal spaces	N/A	PDF	IES
1500 lm/4ft	80CRI, 4000K	1581	14.7	107.6	84	16	Normal spaces	N/A	PDF	IES
	80CRI, 3500K	1571	14.8	106.1	82	11	Normal spaces	N/A	PDF	IES
	80CRI, 3000K	1515	14.9	101.7	84	16	Normal spaces	N/A	PDF	IES
	90CRI, 3500K	1563	17.2	90.9	94	71	Normal spaces	N/A	PDF	IES
1000 lm/4ft	80CRI, 4000K	1007	9.7	103.8	84	16	Critical spaces	N/A	PDF	IES
	80CRI, 3500K	1000	9.7	103.1	82	11	Critical spaces	N/A	PDF	IES
	80CRI, 3000K	965	9.8	98.5	84	16	Critical spaces	N/A	PDF	IES
	90CRI, 3500K	1005	11.5	87.4	94	71	Critical spaces	N/A	PDF	IES

CANDELA DISTRIBUTION						Flux
	0	22.5	45	67.5	90	Lumens
0	646	646	646	646	646	
5	822	772	614	545	508	63
15	1177	1025	606	390	335	197
25	1189	1091	578	273	229	303
35	818	836	494	209	183	316
45	470	501	349	168	151	256
55	256	276	208	133	120	182
65	145	146	126	93	82	118
75	62	61	59	47	41	58
85	12	11	12	13	11	14
90	0	0	0	0	0	
95	0	0	0	0	0	0
105	0	0	0	0	0	0
115	0	0	0	0	0	0
125	0	0	0	0	0	0
135	0	0	0	0	0	0
145	0	0	0	0	0	0
155	0	0	0	0	0	0
165	0	0	0	0	0	0
175	0	0	0	0	0	0
180	0	0	0	0	0	

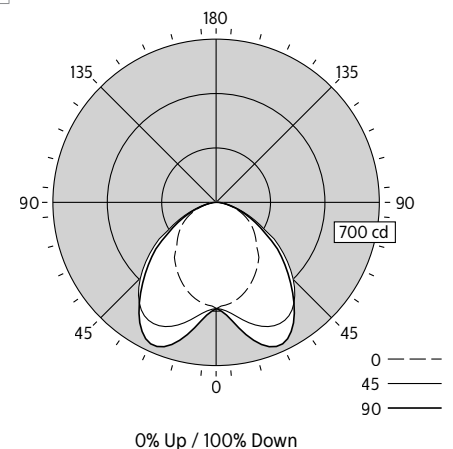
*Photometric data shown is for 1500 lm/4ft, 3500K, 80 CRI configuration.

COEFFICIENTS OF UTILIZATION (%)													
Pc---	80				70				50				0
Pw---	70	50	30	10	70	50	30	50	30	10	0		
RCR	0	119	119	119	119	116	116	116	111	111	111	100	
	1	110	106	103	99	108	104	101	100	97	95	87	
	2	102	95	89	84	99	93	87	89	85	81	75	
	3	94	85	77	72	92	83	76	80	74	70	65	
	4	87	76	68	62	85	75	67	72	66	61	57	
	5	80	69	61	55	78	68	60	66	59	54	51	
	6	75	63	54	49	73	62	54	60	53	48	45	
	7	70	57	49	44	68	56	49	55	48	43	41	
	8	65	53	45	39	64	52	44	51	44	39	37	
	9	61	49	41	36	60	48	41	47	40	35	33	
	10	57	45	38	33	56	45	37	44	37	32	31	

ZONAL LUMEN SUMMARY			
Zone	Lumens	%Fixture	%Lamp
0-30	563	37.3%	37.3%
0-40	879	58.3%	58.3%
0-60	1317	87.3%	87.3%
0-90	1508	100.0%	100.0%
90-130	0	0.0%	0.0%
90-150	0	0.0%	0.0%
90-180	0	0.0%	0.0%
0-180	1508	100.0%	100.0%

Electrical				
120V: P, I, THD, PF	14.8	0.123	11.4	0.991
277V: P, I, THD, PF	15.0	0.057	17.8	0.942
347V: P, I, THD, PF	15.2	0.046	13.1	0.954

AVG LUMINANCE (cd/m ²)			
	0	45	90
0	11580	11580	11580
5	14801	11045	9140
15	21855	11252	6211
25	23522	11445	4531
35	17916	10822	3996
45	11932	8860	3830
55	8015	6518	3756
65	6140	5343	3492
75	4262	4076	2835
85	2463	2548	2240



TruGroove linear recessed micro

Photometrics

Performance Asymmetric - Flush Meso Lens

Spacing Criteria: 160/1.25

(Click "IES" text to Download)

Lumen Package	Nominal CRI & CCT	Flux (lm)	Watts (W)	Efficacy (LPW)	CRI	R9	RP-1 VDT	DLC	Photometry Report	IES File
3100lm/4ft	80CRI, 4000K	3052	31.2	97.8	84	16	Normal spaces	N/A	PDF	IES
	80CRI, 3500K	3031	31.4	96.5	82	11	Normal spaces	N/A	PDF	IES
	80CRI, 3000K	2923	31.6	92.5	84	16	Normal spaces	N/A	PDF	IES
	90CRI, 3500K	2964	36.9	80.3	94	71	Normal spaces	N/A	PDF	IES
2200 lm/4ft	80CRI, 4000K	2189	21.9	100.0	84	16	Normal spaces	N/A	PDF	IES
	80CRI, 3500K	2175	22.0	98.9	82	11	Normal spaces	N/A	PDF	IES
	80CRI, 3000K	2096	22.1	94.8	84	16	Normal spaces	N/A	PDF	IES
	90CRI, 3500K	2128	25.5	83.5	94	71	Normal spaces	N/A	PDF	IES
1500 lm/4ft	80CRI, 4000K	1520	14.7	103.4	84	16	Critical spaces	N/A	PDF	IES
	80CRI, 3500K	1508	14.8	101.9	82	11	Critical spaces	N/A	PDF	IES
	80CRI, 3000K	1456	14.9	97.7	84	16	Critical spaces	N/A	PDF	IES
	90CRI, 3500K	1502	17.1	87.8	94	71	Critical spaces	N/A	PDF	IES
1000 lm/4ft	80CRI, 4000K	967	9.6	100.7	84	16	Critical spaces	N/A	PDF	IES
	80CRI, 3500K	962	9.7	99.2	82	11	Critical spaces	N/A	PDF	IES
	80CRI, 3000K	927	9.8	94.6	84	16	Critical spaces	N/A	PDF	IES
	90CRI, 3500K	965	11.5	83.9	94	71	Critical spaces	N/A	PDF	IES

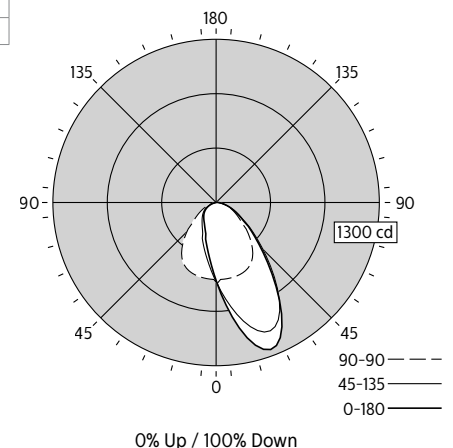
CANDELA DISTRIBUTION						Flux
	0	22.5	45	67.5	90	Lumens
0	456	456	456	456	456	
5	442	454	468	482	486	45
15	414	455	535	597	613	149
25	366	447	584	658	670	254
35	311	414	563	589	581	313
45	240	350	464	448	433	308
55	187	244	327	307	287	248
65	127	153	179	166	159	159
75	62	69	76	71	68	76
85	13	14	15	15	15	18
90	0	0	0	0	0	
95	0	0	0	0	0	0
105	0	0	0	0	0	0
115	0	0	0	0	0	0
125	0	0	0	0	0	0
135	0	0	0	0	0	0
145	0	0	0	0	0	0
155	0	0	0	0	0	0
165	0	0	0	0	0	0
175	0	0	0	0	0	0
180	0	0	0	0	0	0

COEFFICIENTS OF UTILIZATION (%)													
Pc---	80				70				50				0
Pw---	70	50	30	10	70	50	30	50	30	10	0		
RCR													
0	119	119	119	119	116	116	116	111	111	111	100		
1	110	105	101	98	107	103	99	99	96	93	85		
2	100	92	86	80	98	90	84	87	82	78	72		
3	92	81	74	67	89	80	73	77	71	66	61		
4	84	72	64	57	82	71	63	69	62	56	53		
5	77	65	56	49	75	64	55	61	54	49	46		
6	71	58	49	43	69	57	49	56	48	43	40		
7	66	53	44	38	64	52	44	50	43	38	35		
8	61	48	40	34	60	47	39	46	39	34	31		
9	57	44	36	30	56	43	36	42	35	30	28		
10	54	41	33	28	52	40	33	39	32	27	25		

ZONAL LUMEN SUMMARY			
Zone	Lumens	%Fixture	%Lamp
0-30	448	28.5%	28.5%
0-40	761	48.5%	48.5%
0-60	1318	83.9%	83.9%
0-90	1571	100.0%	100.0%
90-130	0	0.0%	0.0%
90-150	0	0.0%	0.0%
90-180	0	0.0%	0.0%
0-180	1571	100.0%	100.0%

Electrical				
120V: P, I, THD, PF	14.8	0.123	11.4	0.991
277V: P, I, THD, PF	15.0	0.057	17.8	0.942
347V: P, I, THD, PF	15.2	0.046	13.1	0.954

AVG LUMINANCE (cd/m²)			
	0	45	90
0	8170	8170	8170
5	7965	8417	8741
15	7688	9930	11374
25	7250	11556	13255
35	6817	12336	12716
45	6083	11760	10982
55	5850	10220	8972
65	5408	7589	6754
75	4330	5238	4738
85	2777	3095	3054



*Photometric data shown is for 1500 lm/4ft, 3500K, 80 CRI configuration.

