

Project: _____

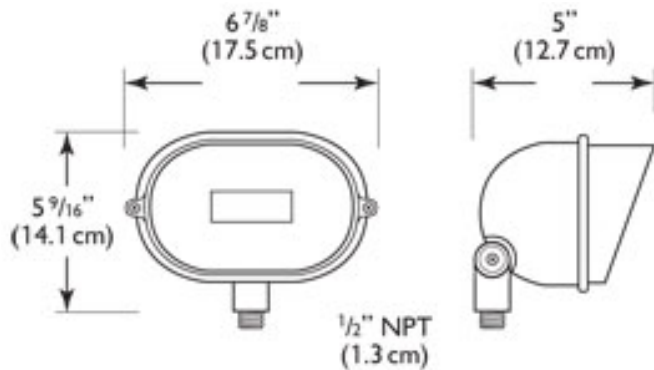
Location: _____

Cat.No: _____

Type: _____

Lamps: _____ Qty: _____

Notes: _____



Ordering Guide

Example: WAML1D C3 F A S7

Product Code	WAML1D	LED Floodlyte
CCT	C3 W3	Cool High Power (3.8 total watts) Warm High Power (3.8 total watts)
Frosted Lens	F -	Frosted Lens Clear Lens
Finish	A B H G	Black White Bronze Verde
Mounting	S7	Mounting Stake *1

*1 Mounting stake is optional. *2 Frosted lens is optional.

Specifications

HOUSING:

380 die-cast aluminum alloy. Fasteners are 300 series stainless steel to prevent corrosion and ensure longer life. Gasketing is silicone. Fully-adjustable swivel arm with vibration-proof locking teeth. 1/2" NPS male threads to screw onto accessory mounting stake or junction box, sold separately.

FINISH:

Exterior Coating: Either Urethane or Triglycidyl Isocyanurate (TGIC) Polyester Powder to a minimum dry film thickness of 2.0 mils (0.002") for urethane powder, or 3.0 mils (0.003") for TGIC powder. The coating is electrostatically applied and cured in a gas fired convection oven by heating to a minimum of 350°F and a maximum of 400°F. Following a 5-stage conversion cleaning process, the components are finished with a super-durable, electrostatically applied, thermoset polyester powdercoat which is bonded by heat fusion thermosetting. The finish is laboratory tested for superior weatherability and fade resistance in accordance with ASTM B-117-64 and ANSI/ASTM G53-77 specifications.

OPTICAL ASSEMBLY:

Clear or frosted tempered glass lens.

LAMPING:

Cool White (4,000K). Warm White (3,000K). Lamp is included with fixture.

ELECTRICAL ASSEMBLY:

12 Volt fixture is pre-wired with 3-ft pigtail of 18-2 AWG, 105° C, SPT-1W wire. 12 Volt system requires remote transformer, not included. Low voltage quick connector, catalog #LVC3 included for easy hook-up to the low voltage supply cable, not included. Input voltage range (VAC): 10 - 14. Input frequency: 60Hz. (magnetic low voltage transformer required). Integral surge protector built into LED driver circuit. 12 volts, 3.8 total watts consumed.

WARRANTY:

5 year extended warranty

CERTIFICATIONS:

ETL listed to U.S. safety standards for wet locations. cETL listed to Canadian safety standards for wet locations. Manufactured to ISO 9001:2008 Standards.

Height :	Width:	Length:	Max. Weight:
4 7/8" (123mm)	6 7/8" (175mm)	5" (127mm)	1.8 lb

