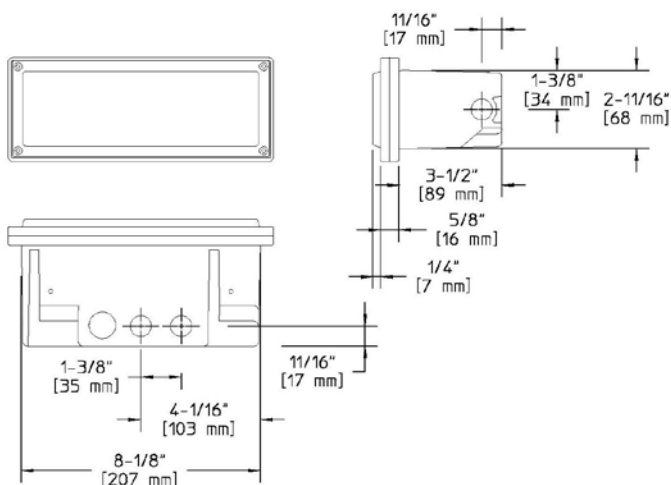


Project: \_\_\_\_\_  
 Location: \_\_\_\_\_  
 Cat.No: \_\_\_\_\_  
 Type: \_\_\_\_\_  
 Lamps: \_\_\_\_\_ Qty: \_\_\_\_\_  
 Notes: \_\_\_\_\_



### Ordering Guide

Example: RSF2 A L5 F E P

Product Code	RSF2	Polycarbonate Steplyte
<b>Finish</b>	A H	Black Bronze
<b>Optics</b>	L5	Symmetric Optics
<b>Wattage</b>	F I 8 F9	13W CFL 40W T10 (2) 18W 1141 (120/12) 9W CFL
<b>Voltage</b>	E H	120V 277V
<b>Thermal Protection</b>	P	Thermal Protection Device

\*1 Lamp included.

\*2 Thermal protection device is required for installations in drywall, plaster, wood, or other non-masonry materials, and must be ordered as an option, except for fluorescent fixtures.

### Specifications

#### HOUSING:

Die-cast aluminum back box contains less than 0.3% copper to prevent corrosion in concrete or masonry applications. Die-cast aluminum trim ring contains less than 0.3% copper to resist corrosion. Cast bronze fixture has polycarbonate, color impregnated, dark bronze finish. Cast bronze faceplate has polycarbonate color impregnated, dark bronze finish. Gasketing is silicone. Fasteners are 300 series stainless steel. Note: Recessed housing contains four (4) 1/2" NPS conduit inlets (two bottom and one on each side) and internal pull-through wiring compartment.

#### FINISH:

Thermoset polyester powdercoat is electrostatically applied after a five-stage conversion cleaning process and bonded by heat fusion thermosetting. Zinc-rich primer and thermoset powdercoat for durability.

#### OPTICAL ASSEMBLY:

Opal Lens - made of UV stabilized injection molded polycarbonate.

#### LAMPING:

18W CFL (G24Q-2). 9W PLS Fluorescent (G23). 13W PLC Fluorescent (120V: GX23-2; 277V: G24Q-1). 40W maximum T10 (4KV porcelain mini-can base). Two 18W maximum S-8 (1141) lamps (Single contact bayonet base). Lower wattage lamps are acceptable.

#### ELECTRICAL ASSEMBLY:

Supply wires connect directly to the quick connect on the integral power supply. Fixture is pre-wired with 18 AWG black, white, and ground wires.

#### BALLAST:

13W Fluorescent 120V: Core and coil, NPF, 0°C minimum start. 13W 277V: Electronic, 0°C minimum start. 9W Fluorescent ballast is core and coil, NPF, 0°C minimum start. The ballast for 18W CF shall be electronic 50 or 60Hz. The ballast for 9 and 13W CF shall be class B core and coil HPF rated for 0 degree starting temperature.

#### WARRANTY:

Three-year limited warranty. Three-year limited warranty.

#### CERTIFICATIONS:

ETL listed to U.S. safety standards for wet locations. cETL listed to Canadian safety standards for wet locations. Manufactured to ISO 9001:2008 Standards. ADA Compliant when used in indoor and outdoor wall applications.

#### Height :

3 1/2" (90mm)

#### Width:

9" (229mm)

# RSF2 Steplyte

## Polycarbonate

### Specifications

---

**Depth:**

3 1/2" (90mm)

**Max. Weight:**

3.65 lb.

