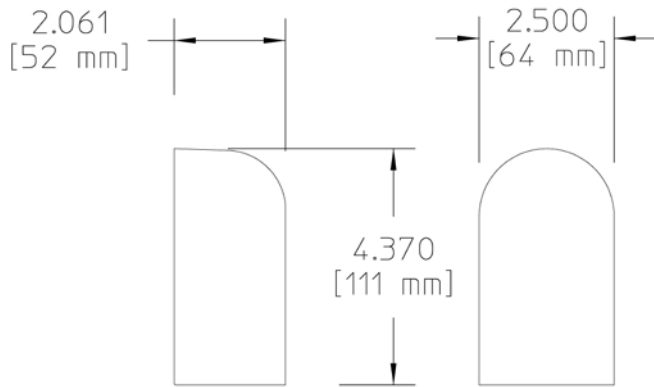


Project: \_\_\_\_\_  
 Location: \_\_\_\_\_  
 Cat.No: \_\_\_\_\_  
 Type: \_\_\_\_\_  
 Lamps: \_\_\_\_\_ Qty: \_\_\_\_\_  
 Notes: \_\_\_\_\_



### Ordering Guide

Example: SRL3 A

<b>Product Code</b>	SRL3	Aluminum Decklyte
<b>Finish</b>	A H	Black Bronze

### Specifications

#### HOUSING:

Die-cast aluminum. Fasteners are 300 series stainless steel.

#### FINISH:

Thermoset polyester powdercoat is electrostatically applied after a five-stage conversion cleaning process and bonded by heat fusion thermosetting. Laboratory tested for superior weatherability and fade resistance in accordance with ASTM B117 specifications.

#### OPTICAL ASSEMBLY:

Frosted tempered glass lens.

#### LAMPING:

18W maximum S-8 (1141) lamp. Lamp is included with fixture. Lower wattage lamps are acceptable.

#### ELECTRICAL ASSEMBLY:

Single contact bayonet (S-8). 12 volt fixture is pre-wired with 6-ft. pigtail of 18-2 AWG, 105° C, SPT-1W wire. Low voltage quick connector, catalog #LVC3 included for easy hook-up to the low voltage supply cable, not included. 12 Volt system requires remote transformer, not included.

#### INSTALLATION & MOUNTING:

Two (2) Stainless #8 wood screws (supplied) via key slots.

#### WARRANTY:

Three-year limited warranty.

#### CERTIFICATIONS:

ETL listed to U.S. safety standards for wet locations. cETL listed to Canadian safety standards for wet locations. Manufactured to ISO 9001:2008 Standards.

#### Height :

4 3/8" (111mm)

#### Width:

2 1/2" (64mm)

#### Depth:

2 1/16" (52mm)

#### Max. Weight:

0.35 lb

