



OptiVision MVP507

MVP507 MHN-LA2000W/842 400V NB SI

OPTIVISION - MASTER MHN-LA - 2000 W - Narrow beam

OptiVision is an asymmetric downlighting luminaire that combines compact dimensions with very high efficiency. Available with narrow, medium and wide beams for flexibility in application, it provides excellent control of spill light and limitation of glare and upward leakage of light. OptiVision can accommodate metal-halide lamps for good colour rendering or high-pressure sodium lamps for economical operation. Excellent spill-light control, limitation of glare and upward leakage of light is secured by asymmetric optics that achieve peak intensity at 60° and a sharp cut-off of light at 80°. The MHN-LA/FC lamps guarantee pleasant and natural colour rendering and comfortable atmosphere.

Product data

General Information		Input voltage	
Number of light sources	1 [1 pc]	Input voltage	400 V
Lamp family code	MHN-LA [MASTER MHN-LA]	Ignitor	SI [Series]
Lamp power	2000 W	Mechanical and Housing	
Lamp colour code	842 neutral white	Colour	Aluminium
Kombipack	Lamp(s) included	Dimensions (height x width x depth)	NaN x NaN x NaN mm (NaN x NaN x NaN in)
Protection class IEC	Safety class I (I)	Approval and Application	
CE mark	CE mark	Ingress protection code	IP65 [Dust penetration-protected, jet-proof]
ENEC mark	-	Mech. impact protection code	IK08 [5 J vandal-protected]
Ball impact resistance mark	Ball Impact Resistance mark	Product Data	
Mechanical accessories	No [-]	Full product code	871155915198400
Outdoor optic type	Narrow beam	Order product name	MVP507 MHN-LA2000W/842 400V NB SI
Product Family Code	MVP507 [OPTIVISION]	EAN/UPC – product	8711559151984
Operating and Electrical		Order code	15198400
Lamp supply voltage	400 V [400]		

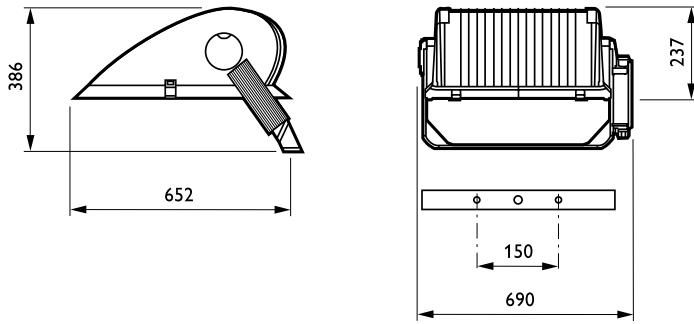
OptiVision MVP507

Numerator – quantity per pack	1
Numerator – packs per outer box	1
Material no. (12NC)	910400184812
Net weight (piece)	17.200 kg

IP65



Dimensional drawing



OptiVision MVP507

