



OptiVision MVP507

MVP507 SON-T1000W K WB SI

OPTIVISION - SON-T - 1000 W - Wide beam

Optivision is an asymmetric downlighting luminaire that combines compact dimensions with very high efficiency. Available with narrow, medium and wide beams for flexibility in application, it provides excellent control of spill light and limitation of glare and upward leakage of light. Optivision can accommodate metal-halide lamps for good colour rendering or high-pressure sodium lamps for economical operation. Excellent spill-light control, limitation of glare and upward leakage of light is secured by asymmetric optics that achieve peak intensity at 60° and a sharp cut-off of light at 80°. The MHN-LA/FC lamps guarantee pleasant and natural colour rendering and comfortable atmosphere.

Product data

General Information	
Number of light sources	1 [1 pc]
Lamp family code	SON-T [SON-T]
Lamp power	1000 W
Kombipack	Lamp(s) included
Protection class IEC	Safety class I (I)
CE mark	CE mark
ENEC mark	-
Ball impact resistance mark	Ball Impact Resistance mark
Mechanical accessories	No [-]
Outdoor optic type	Wide beam
Product Family Code	MVP507 [OPTIVISION]
Operating and Electrical	
Lamp supply voltage	230 V [230]
Input voltage	230 V

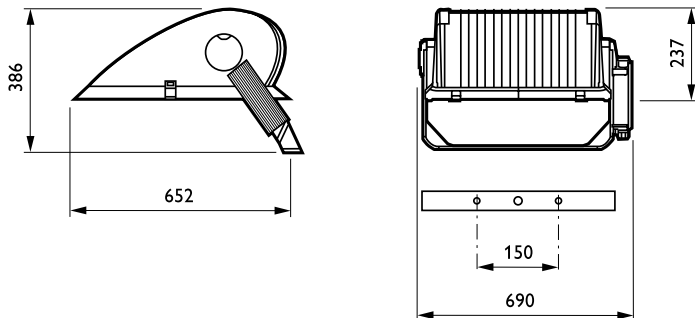
Ignitor	SI [Series]
Mechanical and Housing	
Colour	Aluminium
Dimensions (height x width x depth)	NaN x NaN x NaN mm (NaN x NaN x NaN in)
Approval and Application	
Ingress protection code	IP65 [Dust penetration-protected, jet-proof]
Mech. impact protection code	IK08 [5 J vandal-protected]
Product Data	
Full product code	871155954629200
Order product name	MVP507 SON-T1000W K WB SI
EAN/UPC – product	8711559546292
Order code	54629200
Numerator – quantity per pack	1

OptiVision MVP507

Numerator – packs per outer box	1
Material no. (12NC)	910403025312
Net weight (piece)	17.200 kg



Dimensional drawing



OptiVision MVP507

