



# CoreLine Waterproof

## WT120C LED18S/840 PSU L600

Coreline Waterproof - - - 840 neutral white - Power supply unit

Whether for a new building or renovation of an existing space, customers want lighting solutions that provide quality of light and substantial energy and maintenance savings. The new CoreLine Waterproof range of LED products can be used to replace traditional waterproof luminaires with fluorescent lamps. The process of selecting, installing and maintaining is so easy – it’s a simple switch.

### Product data

General Information	
Number of light sources	1 [ 1 pc]
Lamp family code	-
Lamp colour code	840 neutral white
Light source replaceable	No
Number of gear units	1 unit
Driver/power unit/transformer	PSU [ Power supply unit]
Driver included	Yes
Optic type	No [ -]
Optical cover/lens type	PC [ Polycarbonate bowl/cover]
Luminaire light beam spread	110°
Emergency lighting	No [ -]
Control interface	-
Connection	PI [ Push-in connector 3-pole]
Cable	-
Protection class IEC	Safety class I (I)
Glow-wire test	850/30 [ Temperature 850 °C, duration 30 s]
Flammability mark	D [ For mounting on easily flammable surfaces]
CE mark	CE mark

ENEC mark	ENEC mark
UL mark	No
Warranty period	5 years
Remarks	*-Per Lighting Europe guidance paper "Evaluating performance of LED based luminaires - January 2018": statistically there is no relevant difference in lumen maintenance between B50 and for example B10. Therefore the median useful life (B50) value also represents the B10 value.
Constant light output	No
Number of products on MCB	24
RoHS mark	RoHS mark
Product Family Code	WT120C [ Coreline Waterproof]
Unified glare rating CEN	24

### Operating and Electrical

Input voltage	220 to 240 V
Input frequency	50 to 60 Hz
Inrush current	8 A

# CoreLine Waterproof

Inrush time	0.060 ms
Power factor (min.)	0.9

## Controls and Dimming

Dimmable	No
----------	----

## Mechanical and Housing

Housing material	Polycarbonate
Reflector material	Steel
Optic material	-
Optical cover/lens material	Polycarbonate
Fixation material	Stainless steel
Optical cover/lens finish	Textured
Overall length	661 mm
Overall width	87 mm
Overall height	96 mm
Colour	Grey
Dimensions (height x width x depth)	96 x 87 x 661 mm (3.8 x 3.4 x 26 in)

## Approval and Application

Ingress protection code	IP65 [ Dust penetration-protected, jet-proof]
Mech. impact protection code	IK08 [ 5 J vandal-protected]

## Initial Performance (IEC Compliant)

Initial luminous flux	2100 lm
Luminous flux tolerance	+/-10%
Initial LED luminaire efficacy	119 lm/W
Lamp colour temperature	4000 K
Colour Rendering Index	≥80

Initial chromaticity	(0.38, 0.38) SDCM <3
Initial input power	17.6 W
Power consumption tolerance	+/-10%

## Over Time Performance (IEC Compliant)

Control gear failure rate at median useful life 50000 h	5 %
Lumen maintenance at median useful life* 50000 h	L75

## Application Conditions

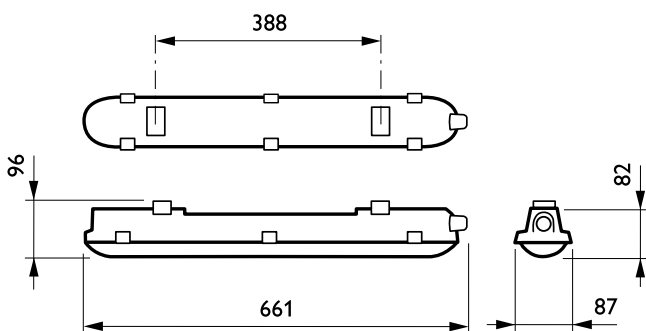
Ambient temperature range	-20 to +35 °C
Performance ambient temperature Tq	25 °C
Maximum dimming level	Not applicable
Suitable for random switching	Yes

## Product Data

Full product code	871829184045900
Order product name	WT120C LED18S/840 PSU L600
EAN/UPC – product	8718291840459
Order code	84045900
Numerator – quantity per pack	1
Numerator – packs per outer box	1
Material no. (12NC)	910500453335
Net weight (piece)	0.930 kg



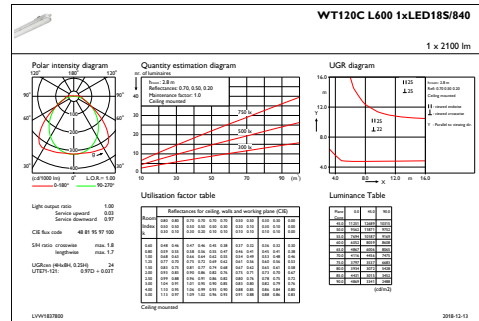
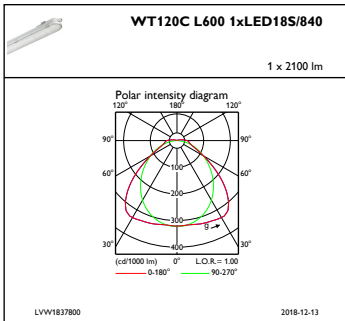
## Dimensional drawing



CoreLine Waterproof WT120C

# CoreLine Waterproof

## Photometric data



IFPC1\_WT120CL6001xLED18S840

IFGU1\_WT120CL6001xLED18S840

