



LuxSpace Accent Fresh Food

RS741B LED19S/FMT PSU-E WB WH

LuxSpace Accent Compact G3 - LED Module, system flux 1900 lm - Fresh meat - Power supply unit external - Wide beam - White

Retailers are increasingly having to contend with rising energy prices. At the same time, they need to retain high-quality lighting to catch the customer's eye, as well as flexibility in architectural integration. Food retailers generally want superior light sources that illuminate their fresh food counters in the freshest way possible, making food appealing while keeping the light ambiance attractive and welcoming. When a warm light ambiance is preferred, Fresh Food Champagne is the perfect LED solution to light fruit, vegetables, cheese, bread and pastries. Fresh Food Rose is a perfect warm-light solution for meat counters, enhancing the redness of meat but also slowing down the discoloration of sliced meat. When a brighter or more natural light ambiance is preferred, Fresh Food Authentic White is recommended for fruits, vegetables, cheeses, bread and pastries. Fresh Food Meat creates the best light setting for meat enhancement in a cooler ambiance.

Product data

General information			
Number of light sources	1 pc	Driver included	Yes
Lamp family code	LED19S [LED Module, system flux 1900 lm]	Optic type	Wide beam
Beam angle of light source	120 °	Optical cover/lens type	-
Light source color	Fresh meat	Luminaire light beam spread	36°
Light source replaceable	No	Control interface	-
Number of gear units	1 unit	Connection	Push-in connector and pull relief
Driver/power unit/transformer	Power supply unit external	Cable	-
		Protection class IEC	Safety class II

LuxSpace Accent Fresh Food

Glow-wire test	Temperature 650 °C, duration 5 s
Flammability mark	For mounting on normally flammable surfaces
CE mark	CE mark
ENEC mark	ENEC mark
UL mark	-
Warranty period	5 years
Remarks	*-Per Lighting Europe guidance paper "Evaluating performance of LED based luminaires - January 2018": statistically there is no relevant difference in lumen maintenance between B50 and for example B10. Therefore the median useful life (B50) value also represents the B10 value.
Constant light output	No
Number of products on MCB of 16 A type B	40
EU RoHS compliant	Yes
Product family code	RS741B [LuxSpace Accent Compact G3]

Operating and Electrical

Input Voltage	220 to 240 V
Input Frequency	50 to 60 Hz
Initial CLO power consumption	- W W
Average CLO power consumption	- W W
Inrush current	5.3 A
Inrush time	0.7 ms
Power Factor (Min)	0.9

Controls and Dimming

Dimmable	No
----------	----

Mechanical and Housing

Housing Material	Aluminum
Reflector material	Polycarbonate aluminum coated
Optic material	Polycarbonate
Optical cover/lens material	Polycarbonate
Fixation material	-
Optical cover/lens finish	Clear
Overall height	126 mm
Overall diameter	130 mm

Color	White
Dimensions (Height x Width x Depth)	126 x NaN x NaN mm (5 x NaN x NaN in)

Approval and Application

Ingress protection code	IP20 [Finger-protected]
Mech. impact protection code	IK02 [0.2 J standard]

Initial Performance (IEC Compliant)

Initial luminous flux (system flux)	1900 lm
Luminous flux tolerance	+/-10%
Initial LED luminaire efficacy	70.37037037037037 lm/W
Init. Corr. Color Temperature	3000 K
Init. Color Rendering Index	≥85
Initial chromaticity	(0.40, 0.33) SDCM <3
Initial input power	27 W
Power consumption tolerance	+/-10%

Over Time Performance (IEC Compliant)

Control gear failure rate at median useful life 50000 h	5 %
Lumen maintenance at median useful life* 50000 h	L80

Application Conditions

Ambient temperature range	+10 to +40 °C
Performance ambient temperature Tq	25 °C
Suitable for random switching	Yes

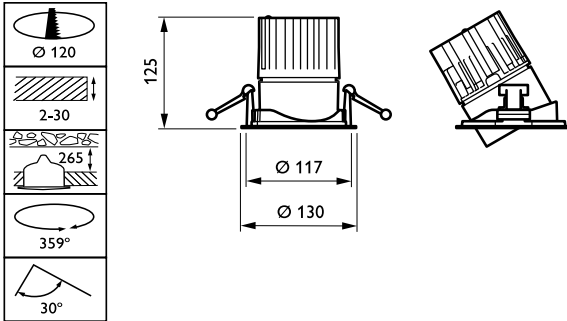
Product Data

Full product code	871869626360000
Order product name	RS741B LED19S/FMT PSU-E WB WH
EAN/UPC - Product	8718696263600
Order code	910500457091
Numerator - Quantity Per Pack	1
Numerator - Packs per outer box	1
Material Nr. (12NC)	910500457091
Net Weight (Piece)	0.760 kg



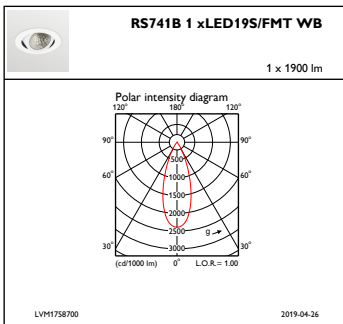
LuxSpace Accent Fresh Food

Dimensional drawing

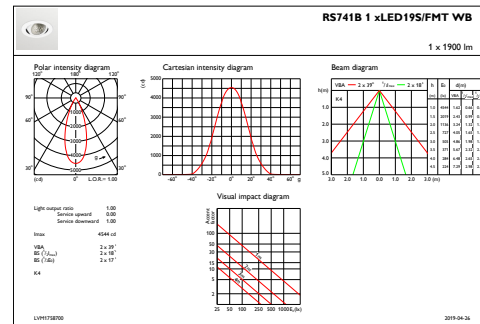


LuxSpace Accent RS730B-RS752B

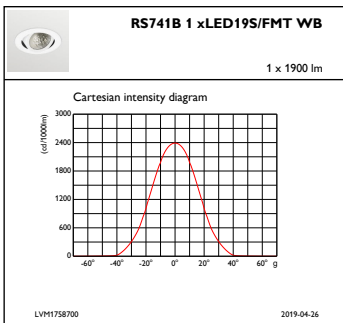
Photometric data



IFPC1_RS741B1xLED19SFMTWB



IFAS1_RS741B1xLED19SFMTWB



IFCC1_RS741B1xLED19SFMTWB

LuxSpace Accent Fresh Food

