



LuxSpace Accent

RS731B LED12S/830 PSED-VLC-E WB WH

LuxSpace Accent Mini G3 - LED Module, system flux 1200 lm - 830 warm white - Power supply unit with DALI interface external, DC compatible for central emergency lighting - Wide beam - White

Retailers are increasingly having to contend with rising energy prices. At the same time, they need to retain the quality of light they are used to, flexibility in architectural integration, and the right light effects to catch the customer's eye. Last but not least, they need future-proof solutions that will enable them to implement differentiating concepts in their store. Delivering high-quality light, punch in the beam and outstanding luminous efficacy, LuxSpace Accent is the ideal energy-efficient solution for today's demanding retail environments, covering a wide variety of lighting applications, including CrispWhite for fashion stores and Food recipes for supermarkets.

Product data

General Information		Optical cover/lens type	
Number of light sources	1 [1 pc]	Optical cover/lens type	No [-]
Lamp family code	LED12S [LED Module, system flux 1200 lm]	Luminaire light beam spread	36°
Beam angle of light source	120 °	Control interface	DALI
Lamp colour code	830 warm white	Connection	PIP [Push-in connector and pull relief]
Light source replaceable	No	Cable	-
Number of gear units	1 unit	Protection class IEC	Safety class II (II)
Driver/power unit/transformer	PSED-E [Power supply unit with DALI interface external, DC compatible for central emergency lighting]	Glow-wire test	650/5 [Temperature 650 °C, duration 5 s]
Driver included	Yes	Flammability mark	F [For mounting on normally flammable surfaces]
Optic type	WB [Wide beam]	CE mark	CE mark
		ENEC mark	ENEC mark
		UL mark	No

LuxSpace Accent

Warranty period	5 years
Remarks	*-Per Lighting Europe guidance paper "Evaluating performance of LED based luminaires - January 2018": statistically there is no relevant difference in lumen maintenance between B50 and for example B10. Therefore the median useful life (B50) value also represents the B10 value.
Constant light output	No
Number of products on MCB	24
Product Family Code	RS731B [LuxSpace Accent Mini G3]

Operating and Electrical

Input voltage	220 to 240 V
Input frequency	50 to 60 Hz
Control signal voltage	0-16 V DC DALI
Initial CLO power consumption	- W W
Average CLO power consumption	- W W
Inrush current	5.3 A
Inrush time	0.7 ms
Power factor (min.)	0.9

Controls and Dimming

Dimmable	Yes
----------	-----

Mechanical and Housing

Housing material	Aluminium
Reflector material	Polycarbonate aluminum coated
Optic material	Polycarbonate
Optical cover/lens material	Polycarbonate
Fixation material	-
Optical cover/lens finish	Frosted
Overall height	86 mm
Overall diameter	105 mm
Colour	White
Dimensions (height x width x depth)	86 x NaN x NaN mm (3.4 x NaN x NaN in)

Approval and Application

Ingress protection code	IP20 [Finger-protected]
-------------------------	--------------------------

Mech. impact protection code	IK02 [0.2 J standard]
------------------------------	------------------------

Initial Performance (IEC Compliant)

Initial luminous flux	1200 lm
Luminous flux tolerance	+/-10%
Initial LED luminaire efficacy	114.28571428571429 lm/W
Lamp colour temperature	3000 K
Colour Rendering Index	≥80
Initial chromaticity	(0.43, 0.40) SDCM <3
Initial input power	9.9 W
Power consumption tolerance	+/-10%

Over Time Performance (IEC Compliant)

Control gear failure rate at median useful life 50,000 h	5 %
Lumen maintenance at median useful life* 50,000 h	L80

Application Conditions

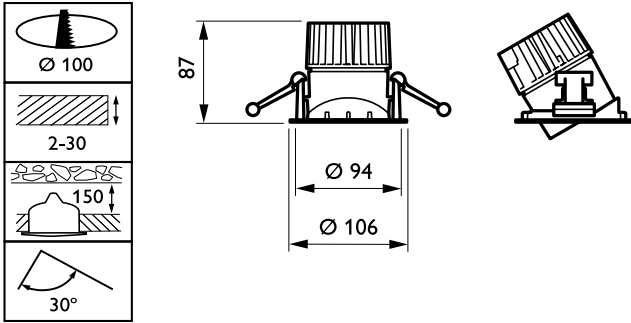
Ambient temperature range	+10 to +40 °C
Performance ambient temperature Tq	25 °C
Maximum dimming level	1%
Suitable for random switching	Yes

Product Data

Full product code	871869684764000
Order product name	RS731B LED12S/830 PSED-VLC-E WB WH
EAN/UPC – product	8718696847640
Order code	910500457288
Numerator – quantity per pack	1
Numerator – packs per outer box	1
Material no. (12NC)	910500457288
Net weight (piece)	0.540 kg

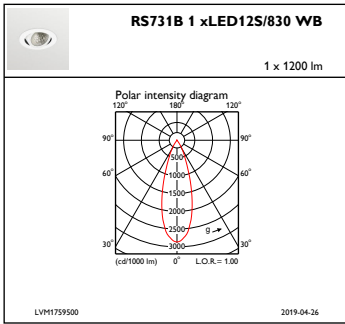


Dimensional drawing

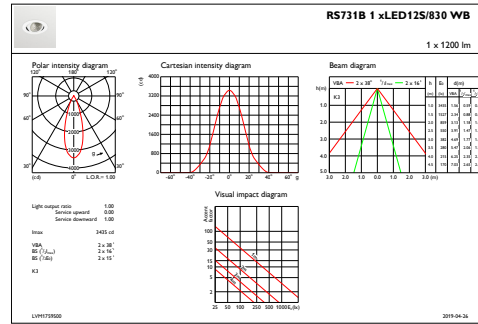


LuxSpace Accent RS730B-RS752B

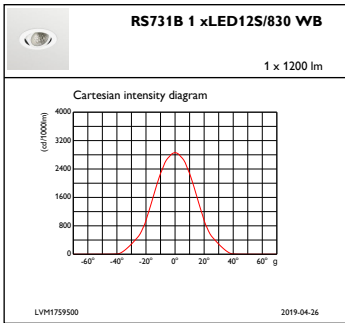
Photometric data



IFPC1_RS731B1xLED12S830WB



IFAS1_RS731B1xLED12S830WB



IFCC1_RS731B1xLED12S830WB

