



CoreLine Waterproof

WT120C LED22S/840 PSD L1200

Coreline Waterproof - - - 840 neutral white - Power supply unit with DALI interface

Whether for a new building or renovation of an existing space, customers want lighting solutions that provide quality of light and substantial energy and maintenance savings. The new CoreLine Waterproof range of LED products can be used to replace traditional waterproof luminaires with fluorescent lamps. The process of selecting, installing and maintaining is so easy – it's a simple switch.

Product data

General Information			
Number of light sources	1 [1 pc]	Flammability mark	D [For mounting on easily flammable surfaces]
Lamp family code	-	CE mark	CE mark
Lamp colour code	840 neutral white	ENEC mark	ENEC mark
Light source replaceable	No	UL mark	No
Number of gear units	1 unit	Warranty period	5 years
Driver/power unit/transformer	PSD [Power supply unit with DALI interface]	Remarks	*-Per Lighting Europe guidance paper "Evaluating performance of LED based luminaires - January 2018": statistically there is no relevant difference in lumen maintenance between B50 and for example B10. Therefore the median useful life (B50) value also represents the B10 value.
Driver included	Yes	Constant light output	No
Optic type	No [-]	Number of products on MCB	24
Optical cover/lens type	PC [Polycarbonate bowl/cover]	Product Family Code	WT120C [Coreline Waterproof]
Luminaire light beam spread	110°	Unified glare rating CEN	23
Emergency lighting	No [-]		
Control interface	DALI		
Connection	PI [Push-in connector 3-pole]		
Cable	-		
Protection class IEC	Safety class I (I)		
Glowl-wire test	850/30 [Temperature 850 °C, duration 30 s]		

CoreLine Waterproof

Operating and Electrical

Input voltage	220 to 240 V
Input frequency	50 to 60 Hz
Inrush current	21 A
Inrush time	0.280 ms
Power factor (min.)	0.9

Controls and Dimming

Dimmable	Yes
----------	-----

Mechanical and Housing

Housing material	Polycarbonate
Reflector material	Steel
Optic material	-
Optical cover/lens material	Polycarbonate
Fixation material	Stainless steel
Optical cover/lens finish	Textured
Overall length	1250 mm
Overall width	87 mm
Overall height	96 mm
Colour	Grey
Dimensions (height x width x depth)	96 x 87 x 1250 mm (3.8 x 3.4 x 49.2 in)

Approval and Application

Ingress protection code	IP65 [Dust penetration-protected, jet-proof]
Mech. impact protection code	IK08 [5 J vandal-protected]

Initial Performance (IEC Compliant)

Initial luminous flux	2900 lm
Luminous flux tolerance	+/-10%
Initial LED luminaire efficacy	118 lm/W

Lamp colour temperature	4000 K
Colour Rendering Index	≥80
Initial chromaticity	(0.38, 0.38) SDCM <3
Initial input power	24.5 W
Power consumption tolerance	+/-10%

Over Time Performance (IEC Compliant)

Control gear failure rate at median useful life 50,000 h	5 %
Lumen maintenance at median useful life* 50,000 h	L75

Application Conditions

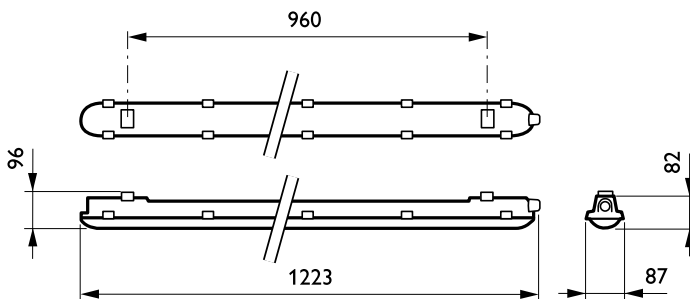
Ambient temperature range	-25 to +35 °C
Performance ambient temperature Tq	25 °C
Maximum dimming level	1%
Suitable for random switching	Yes

Product Data

Full product code	871869688307500
Order product name	WT120C LED22S/840 PSD L1200
EAN/UPC – product	8718696883075
Order code	88307500
Numerator – quantity per pack	1
Numerator – packs per outer box	1
Material no. (12NC)	910500458244
Net weight (piece)	1.530 kg



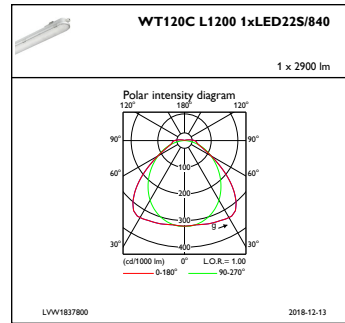
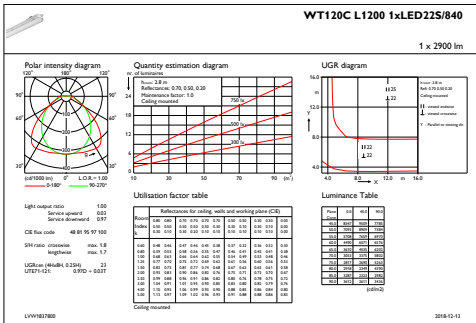
Dimensional drawing



CoreLine Waterproof WT120C

CoreLine Waterproof

Photometric data



IFGU1_WT120C L1200 1xLED22S/840

IFPC1_WT120C L1200 1xLED22S/840

