



CoreLine Waterproof

WT120C LED60S/840 IA1 L1500

Coreline Waterproof - - - 840 neutral white - Power supply unit regulating

Whether for a new building or renovation of an existing space, customers want lighting solutions that provide quality of light and substantial energy and maintenance savings. The new CoreLine Waterproof range of LED products can be used to replace traditional waterproof luminaires with fluorescent lamps. The process of selecting, installing and maintaining is so easy – it's a simple switch.

Product data

General Information		Warranty period	
Lamp family code	-	Warranty period	5 years
Beam angle of light source	120 °	Remarks	* -Per Lighting Europe guidance paper "Evaluating performance of LED based luminaires - January 2018": statistically there is no relevant difference in lumen maintenance between B50 and for example B10. Therefore the median useful life (B50) value also represents the B10 value.
Lamp colour code	840 neutral white	Constant light output	No
Light source replaceable	No	Number of products on MCB	22
Number of gear units	1 unit	Product Family Code	WT120C [Coreline Waterproof]
Driver/power unit/transformer	PSR [Power supply unit regulating]	Unified glare rating CEN	25
Driver included	Yes	Operating and Electrical	
Optic type	No [-]	Input voltage	220 to 240 V
Luminaire light beam spread	110°	Input frequency	50 to 60 Hz
Connection	PI [Push-in connector 3-pole]	Inrush current	21 A
Cable	-	Inrush time	0.28 ms
Protection class IEC	Safety class I (I)		
Glow-wire test	850/30 [Temperature 850 °C, duration 30 s]		
Flammability mark	D [For mounting on easily flammable surfaces]		
CE mark	CE mark		
ENEC mark	ENEC mark		

CoreLine Waterproof

Power factor (min.)	0.9
---------------------	-----

Mechanical and Housing

Housing material	Polycarbonate
Reflector material	Steel
Optic material	-
Optical cover/lens material	Polycarbonate
Fixation material	Stainless steel
Optical cover/lens finish	Textured
Overall length	1530 mm
Overall width	87 mm
Overall height	96 mm
Colour	Grey
Dimensions (height x width x depth)	96 x 87 x 1530 mm (3.8 x 3.4 x 60.2 in)

Approval and Application

Ingress protection code	IP65 [Dust penetration-protected, jet-proof]
Mech. impact protection code	IK08 [5 J vandal-protected]

Initial Performance (IEC Compliant)

Initial luminous flux	6000 lm
Luminous flux tolerance	+/-10%
Initial LED luminaire efficacy	121 lm/W
Lamp colour temperature	4000 K
Colour Rendering Index	≥80
Initial chromaticity	(0.38, 0.38) SDCM <3

Initial input power	49.5 W
Power consumption tolerance	+/-10%

Over Time Performance (IEC Compliant)

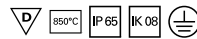
Control gear failure rate at median useful life 50,000 h	5 %
Lumen maintenance at median useful life* 50,000 h	L75

Application Conditions

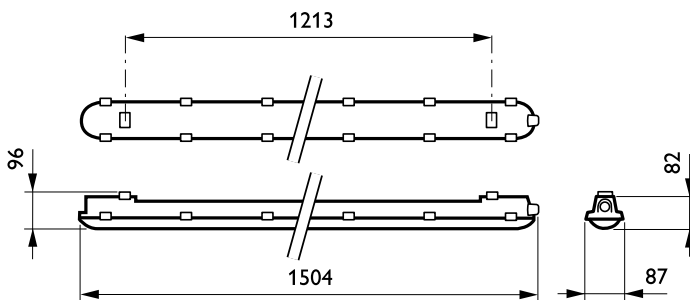
Ambient temperature range	-20 to +35 °C
Performance ambient temperature Tq	25 °C
Suitable for random switching	Yes

Product Data

Full product code	871869939714200
Order product name	WT120C LED60S/840 IA1 L1500
EAN/UPC – product	8718699397142
Order code	910500465267
Numerator – quantity per pack	1
Numerator – packs per outer box	1
Material no. (12NC)	910500465267
Net weight (piece)	1.820 kg



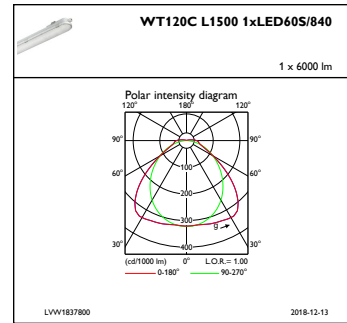
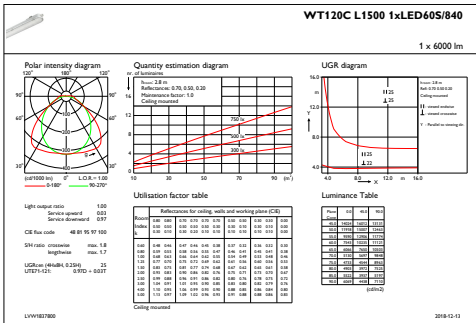
Dimensional drawing



CoreLine Waterproof WT120C

CoreLine Waterproof

Photometric data



IFGU1_WT120CL15001xLED60S840

IFPC1_WT120CL15001xLED60S840

