



TrueFashion

ST712T LED20S/PC9 PSU FR12 BK

TrueFashion Compact Drv. In Track - Premium color with CRI ≥ 90 - 3000 K - Power supply unit - Beam angle 12° - Black

TrueFashion is a dedicated LED spot family answering to the specific needs of Fashion Retailers. These miniaturized spots with clean and fine detailing offer contemporary design and blend seamlessly into your store interior for a tailor-made look. This spot family provides the best quality of light by using innovative lenses to optimize the contrasts within the store. Thanks to the Philips fashion light flavors that are specifically developed to enhance colors and visual qualities, TrueFashion ensures a superior light experience. TrueFashion also supports your global expansion plans by being prepared for international certifications. In addition, we offer dedicated logistics and a local presence globally. Fashion is evolving rapidly towards a new balance between online and offline shopping. TrueFashion creates an optimal shopper experience to attract and engage the shopper, while bringing the connected future of lighting in the store by being ready to be connected to Philips fashion concepts such as dynamic window and EasyAim.

Product data

General Information			
Beam angle of light source	120 °	Protection class IEC	Safety class II (II)
Light source color	Premium color with CRI ≥ 90	Glow-wire test	650/30 [Temperature 650 °C, duration 30 s]
Light source replaceable	No	Flammability mark	NO [-]
Number of gear units	1 unit	CE mark	CE mark
Driver/power unit/transformer	PSU [Power supply unit]	ENEC mark	ENEC mark
Driver included	Yes	Warranty period	5 years
Optic type	12 [Beam angle 12°]	Constant light output	No
Luminaire light beam spread	12°	Number of products on MCB of 16 A type B	34
Connection	PIP [Push-in connector and pull relief]	RoHS mark	RoHS mark
Cable	-	Product family code	ST712T [TrueFashion Compact Drv. In Track]

Operating and Electrical

Input Voltage	220 to 240 V
Input Frequency	50 to 60 Hz
Inrush current	5 A
Inrush time	0.05 ms
Power Factor (Min)	0.9

Controls and Dimming

Dimmable	No
----------	----

Mechanical and Housing

Housing Material	Aluminum
Reflector material	Polycarbonate aluminum coated
Optic material	Polycarbonate
Optical cover/lens material	Polymethyl methacrylate
Fixation material	-
Optical cover/lens finish	Clear
Overall length	162 mm
Overall width	80 mm
Overall height	168 mm

Approval and Application

Ingress protection code	IP20 [Finger-protected]
Mech. impact protection code	IK02 [0.2 J standard]

Initial Performance (IEC Compliant)

Initial luminous flux (system flux)	2000 lm
-------------------------------------	---------

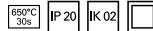
Luminous flux tolerance	+/-10%
Initial LED luminaire efficacy	65 lm/W
Init. Corr. Color Temperature	3000 K
Init. Color Rendering Index	90
Initial chromaticity	(0.42, 0.38) SDCM <3
Initial input power	30.5 W
Power consumption tolerance	+/-10%

Application Conditions

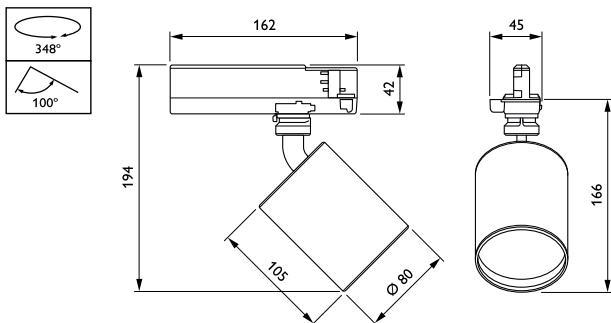
Ambient temperature range	+50 to +104 °F
Suitable for random switching	Yes (relates to presence/ movement detection and daylight harvesting)

Product Data

Order product name	ST712T LED20S/PC9 PSU FR12 BK
EAN/UPC - Product	8718699406363
Order code	910500465502
Local order code	.
Numerator - Quantity Per Pack	1
Numerator - Packs per outer box	1
Material Nr. (12NC)	910500465502
Net Weight (Piece)	0.610 kg



Dimensional drawing



TrueFashion ST700T-ST721T

