



TownGuide Performer

BDP102 LED40/740 II DW PCC SI LS-6 62P

TOWNGUIDE PERF CLASSIC CONE - LED module 4000 lm - Distribution wide - Polycarbonate bowl/cover clear - LumiStep dimming 6 hours - Post-top for diameter 62 mm

The TownGuide Performer family consists of six recognizable yet modern shapes: Flat Cone, Bowl, Classic Cone, Classic, T and Tzero. All are available with a clear bowl. Except for Tzero, also a frosted bowl can be chosen. With an extensive range of lumen packages and a choice of light colors and operating lifetimes, it is easy to select the version that best suits your project's specific requirements. In addition, TownGuide Performer has a variety of control system options that can make it an integral part of your smart energy-reduction programs – from stand-alone LumiStep and DynaDimmer, SDU switch-dim control, through to seamless remote connectivity with CityTouch lighting management software. Installation is easy. Thanks to the bayonet whistle connector with integrated gland located in the spigot, the luminaire does not have to be opened at all for installation. Philips has made every effort to make the Total Cost of Ownership (TCO) of the luminaire as attractive as possible. And as TownGuide Performer is a dedicated LED luminaire, compatible with a variety of control systems, the energy and maintenance cost savings compared to conventional lighting are significant.

Product data

| General Information | | | |
|--------------------------|-----------------------------|-------------------------------|---|
| Number of light sources | 3 [3 pcs] | Driver/power unit/transformer | PSDD [Power supply unit with DynaDimmer] |
| Lamp family code | LED40 [LED module 4000 lm] | Driver included | Yes |
| Light source color | 740 neutral white | Optical cover/lens type | PCC [Polycarbonate bowl/cover clear] |
| Light source replaceable | Yes | Luminaire light beam spread | 50° x 70° |
| Number of gear units | 1 unit | Embedded control | LS-6 [LumiStep dimming 6 hours] |
| | | Control interface | - |

TownGuide Performer

| | |
|--|--|
| Light regulation | Dimming via DynaDimmer integrated in ballast or driver |
| Connection | Screw connection block 5-pole |
| Cable | - |
| Protection class IEC | Safety class II (II) |
| Parts color | All parts colored |
| Coating | - |
| Glow-wire test | 650/5 [Temperature 650 °C, duration 5 s] |
| Flammability mark | NO [-] |
| Safety device | PCBC [PCB cover] |
| CE mark | CE mark |
| ENEC mark | ENEC mark |
| Warranty period | 5 years |
| Optic type outdoor | Distribution wide |
| Photocell | No [-] |
| Constant light output | No |
| Number of products on MCB of 16 A type B | 10 |
| EU RoHS compliant | Yes |
| WEEE mark | - |
| Light source engine type | LED |
| Serviceability class | Class A, luminaire is equipped with serviceable parts (when applicable): LED board, driver, control units, surge protection device, optics, front cover and mechanical parts |
| Product family code | BDP102 [TOWNGUIDE PERF CLASSIC CONE] |

Light Technical

| | |
|--------------------------------|----|
| Upward light output ratio | 3 |
| Standard tilt angle posttop | 0° |
| Standard tilt angle side entry | - |

Operating and Electrical

| | |
|--------------------|-------------|
| Input Voltage | 220-240 V |
| Input Frequency | 50 to 60 Hz |
| Inrush current | 45 A |
| Inrush time | 0.285 ms |
| Power Factor (Min) | 0.92 |
| Power Factor (Nom) | 0.94 |

Controls and Dimming

| | |
|----------|-----|
| Dimmable | Yes |
|----------|-----|

Mechanical and Housing

| | |
|-----------------------------|------------------------------------|
| Housing Material | Aluminum |
| Reflector material | - |
| Optic material | Acrylate |
| Optical cover/lens material | Polycarbonate |
| Fixation material | Steel |
| Mounting device | 62P [Post-top for diameter 62 mm] |

| | |
|-------------------------------------|--|
| Optical cover/lens shape | Conical |
| Optical cover/lens finish | Clear |
| Torque | 15 |
| Overall height | 317 mm |
| Overall diameter | 570 mm |
| Effective projected area | 0.088 m ² |
| Color | Silver |
| Dimensions (Height x Width x Depth) | 317 x NaN x NaN mm (12.5 x NaN x NaN in) |

Approval and Application

| | |
|--|--|
| Ingress protection code | IP66 [Dust penetration-protected, jet-proof] |
| Mech. impact protection code | IK10 [20 J vandal-resistant] |
| Surge Protection (Common/Differential) | Luminaire surge protection level until 6 kV differential mode and 6 kV common mode |

Initial Performance (IEC Compliant)

| | |
|-------------------------------------|----------------------|
| Initial luminous flux (system flux) | 3160 lm |
| Luminous flux tolerance | +/-7% |
| Initial LED luminaire efficacy | 115 lm/W |
| Init. Corr. Color Temperature | 4000 K |
| Init. Color Rendering Index | 70 |
| Initial chromaticity | (0.38, 0.38) SDCM <5 |
| Initial input power | 27.5 W |
| Power consumption tolerance | +/-11% |

Over Time Performance (IEC Compliant)

| | |
|--|-------|
| Control gear failure rate at median useful life 100000 h | 0.1 % |
| Lumen maintenance at median useful life* 35000 h | - |
| Lumen maintenance at median useful life* 50000 h | - |
| Lumen maintenance at median useful life* 75000 h | - |
| Lumen maintenance at median useful life* 100000 h | 95 |

Application Conditions

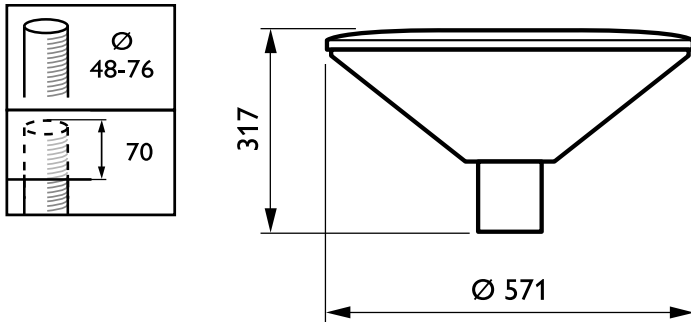
| | |
|------------------------------------|---------------|
| Ambient temperature range | -40 to +35 °C |
| Performance ambient temperature Tq | 25 °C |
| Maximum dim level | 50% |

Product Data

| | |
|---------------------------------|--|
| Full product code | 871829191020600 |
| Order product name | BDP102 LED40/740 II DW PCC SI LS-6 62P |
| EAN/UPC - Product | 8718291910206 |
| Order code | 91020600 |
| Numerator - Quantity Per Pack | 1 |
| Numerator - Packs per outer box | 1 |
| Material Nr. (12NC) | 910500991080 |
| Net Weight (Piece) | 6.680 kg |



Dimensional drawing



TownGuide Performer BDP100-105

