



# Iridium SGS253/453

## SGS253 SON-T150W K II CR FG GR SND

IRIDIUM - SON-T - 150 W - Closed CT-POT - Flat glass

Modular road-lighting luminaires offering a wide choice of optical, electrical and mechanical combinations to make driving safer and more comfortable. Ensures low cost of ownership thanks to its superior optics and low maintenance and installation costs.

### Product data

General Information	
Number of light sources	1 [ 1 pc]
Lamp family code	SON-T [ SON-T]
Lamp power	150 W
Kombipack	Lamp(s) included
Gear	CONV [ Conventional]
Optical cover/lens type	FG [ Flat glass]
Embedded control	No [ -]
Light regulation	-
Protection class IEC	Safety class II (II)
Parts color	-
CE mark	CE mark
ENEC mark	ENEC mark
Optic type outdoor	Closed CT-POT
Colored frame	-
Filter coil	-
Photocell	No [ -]
Product family code	SGS253 [ IRIDIUM]

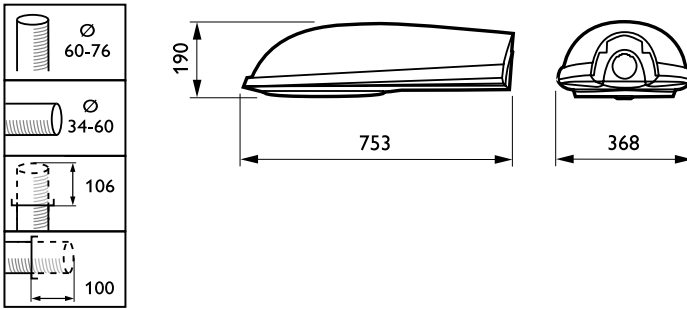
Light Technical	
Standard tilt angle posttop	5°
Standard tilt angle side entry	5°
Operating and Electrical	
Input Voltage	230 V
Ignitor	SND [ Digital semi-parallel]
Mechanical and Housing	
Overall height	190 mm
Color	Gray
Dimensions (Height x Width x Depth)	190 x NaN x NaN mm (7.5 x NaN x NaN in)
Approval and Application	
Ingress protection code	IP66 [ Dust penetration-protected, jet-proof]
Mech. impact protection code	IK08 [ 5 J vandal-protected]
Product Data	
Full product code	871155984270700
Order product name	SGS253 SON-T150W K II CR FG GR SND

## Iridium SGS253/453

EAN/UPC - Product	8711559842707
Order code	84270700
Numerator - Quantity Per Pack	1
Numerator - Packs per outer box	1
Material Nr. (12NC)	910502124418

Net Weight (Piece)	10.342 kg
--------------------	-----------

### Dimensional drawing



Iridium SGS253

