



# Zadora, fixed

## QBS570 1xHAL-MR50-45W 12V BR WH

1 pc - MASTER Line ES 50 mm - 45 W - 12 V - Bracket - White

Zadora is a range of recessed downlights for MASTERLine 35 and 50 mm dichroic halogen lamps (with beams of 8°, 24°, 36° and 60°) and Twistline Alu lamps. It is available in fixed and adjustable versions, the latter offering 30° orientation from the vertical. Zadora downlights are also available in ready-to-install kit versions. Maintenance is made easy by direct lamp access.

### Product data

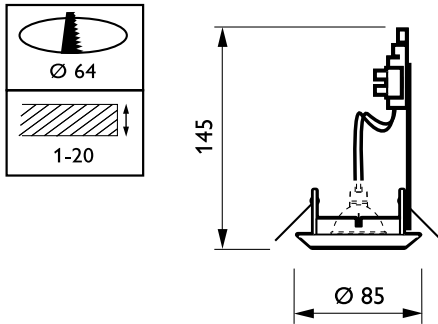
General Information	
Number of light sources	1 pc
Lamp family code	HAL-MR50 [ MASTER Line ES 50 mm]
Lamp power	45 W
Cap-Base	GU5.3 [ GU5.3]
Kombipack	Lamp(s) included
Gear	-
Driver/power unit/transformer	-
Protection class IEC	Safety class II
Mounting	Bracket
Glow-wire test	Temperature 850 °C, duration 5 s
Flammability mark	For mounting on normally flammable surfaces
CE mark	CE mark
ENEC mark	-
Service tag	Yes
Operating and Electrical	
Input Voltage	12 V

Mechanical and Housing	
Color	White
Dimensions (Height x Width x Depth)	NaN x NaN x NaN mm (NaN x NaN x NaN in)
Approval and Application	
Ingress protection code	IP20 [ Finger-protected]
Application Conditions	
Suitable for random switching	Not applicable
Product Data	
Full product code	871155957320599
Order product name	QBS570 1xHAL-MR50-45W 12V BR WH
EAN/UPC - Product	8711559573205
Order code	910502538018
Numerator - Quantity Per Pack	1
Numerator - Packs per outer box	80
Material Nr. (12NC)	910502538018
Net Weight (Piece)	0.150 kg

## Zadora, fixed



### Dimensional drawing



Zadora Fixed QBS570

