



# Zadora, adjustable

## QBD570 1xHAL-MR50-45W 12V BR CR

1 pc - MASTER Line ES 50 mm - 45 W - 12 V - Bracket - Chrome

Zadora is a range of recessed downlights for MASTERLine 35 and 50 mm dichroic halogen lamps (with beams of 8°, 24°, 36° and 60°) and Twistline Alu lamps. It is available in fixed and adjustable versions, the latter offering 30° orientation from the vertical. Zadora downlights are also available in ready-to-install kit versions. Maintenance is made easy by direct lamp access.

### Product data

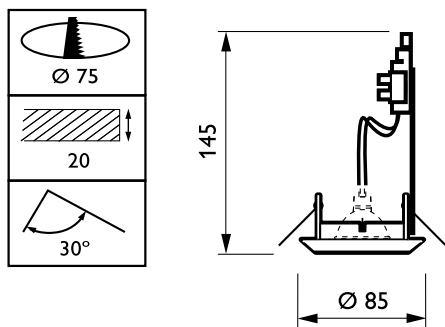
| General Information           |   |
|-------------------------------|---|
| Number of light sources       | 1 pc  |
| Lamp family code              | HAL-MR50 [ MASTER Line ES 50 mm]            |
| Lamp power                    | 45 W  |
| Kombipack                     | -   |
| Gear                          | -   |
| Driver/power unit/transformer | -   |
| Connection                    | -   |
| Protection class IEC          | Safety class III                            |
| Mounting                      | Bracket                                     |
| Glow-wire test                | Temperature 850 °C, duration 5 s            |
| Flammability mark             | For mounting on normally flammable surfaces |
| CE mark                       | CE mark                                     |
| ENEC mark                     | -   |
| Service tag                   | Yes   |
| Operating and Electrical      |   |
| Input Voltage                 | 12 V  |

| Mechanical and Housing          |                                 |
|---------------------------------|---------------------------------|
| Color                           | Chrome                          |
| Approval and Application        |                                 |
| Ingress protection code         | IP20 [ Finger-protected]        |
| Mech. impact protection code    | IK00 [ No protection]           |
| Application Conditions          |                                 |
| Suitable for random switching   | Not applicable                  |
| Product Data                    |                                 |
| Full product code               | 871155957329899                 |
| Order product name              | QBD570 1xHAL-MR50-45W 12V BR CR |
| EAN/UPC - Product               | 8711559573298                   |
| Order code                      | 910502538518                    |
| Numerator - Quantity Per Pack   | 1                               |
| Numerator - Packs per outer box | 10                              |
| Material Nr. (12NC)             | 910502538518                    |
| Net Weight (Piece)              | 0.176 kg                        |

## Zadora, adjustable

---

### Dimensional drawing



Zadora Adjustable QBD570

