



# Zadora, adjustable

## QBD570 1xHAL-MR50-45W 12V BR ALU

1 pc - MASTER Line ES 50 mm - 45 W - 12 V - Bracket - Aluminum

Zadora is a range of recessed downlights for MASTERLine 35 and 50 mm dichroic halogen lamps (with beams of 8°, 24°, 36° and 60°) and Twistline Alu lamps. It is available in fixed and adjustable versions, the latter offering 30° orientation from the vertical. Zadora downlights are also available in ready-to-install kit versions. Maintenance is made easy by direct lamp access.

### Product data

General Information		Operating and Electrical	
Number of light sources	1 pc	Input Voltage	12 V
Lamp family code	HAL-MR50 [ MASTER Line ES 50 mm]	<b>Mechanical and Housing</b>	
Lamp power	45 W	Color	Aluminum
Kombipack	-	Dimensions (Height x Width x Depth)	NaN x NaN x NaN mm (NaN x NaN x NaN in)
Gear	-	<b>Approval and Application</b>	
Driver/power unit/transformer	-	Ingress protection code	IP20 [ Finger-protected]
Connection	-	Mech. impact protection code	IK00 [ No protection]
Protection class IEC	Safety class III	<b>Application Conditions</b>	
Mounting	Bracket	Suitable for random switching	Not applicable
Glow-wire test	Temperature 850 °C, duration 5 s	<b>Product Data</b>	
Flammability mark	For mounting on normally flammable surfaces	Full product code	871155957331199
CE mark	CE mark	Order product name	QBD570 1xHAL-MR50-45W 12V BR ALU
ENEC mark	-	EAN/UPC - Product	8711559573311
Service tag	Yes		

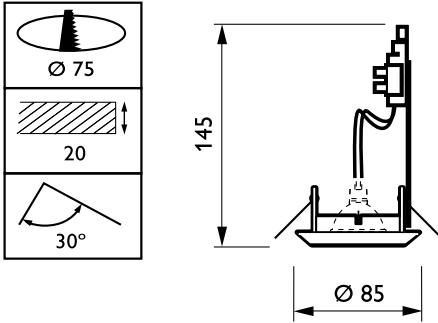
## Zadora, adjustable

Order code	910502538718
Numerator - Quantity Per Pack	1
Numerator - Packs per outer box	80
Material Nr. (12NC)	910502538718

Net Weight (Piece)	0.190 kg
--------------------	----------



### Dimensional drawing



Zadora Adjustable QBD570

