



ColorBlast Powercore BCP472

BCP472 36xLED-HB/RGB 100-240V 10 WH

Red, green and blue - Narrow beam angle 10° - White

ColorBlast Powercore high-performance LED fixtures combine rich, saturated, wall-washing color and color-changing effects with simplified installation. ColorBlast Powercore offers a single solution for both indoor and outdoor applications, while a range of beam angles make the fixture ideal for washing, grazing, floodlighting, and spot lighting. The low-profile mounting canopy, rotating mounting bracket, and locking fixture rotation offer exceptional versatility. Integrated Powercore technology ensures rapid, efficient and accurate control of power output to the fixture directly from line voltage, eliminating the need for external power supplies. Use of standard wiring dramatically simplifies installation and helps lower total system cost.

Product data

General Information		Optic type outdoor	
Number of light sources	36 [36 pcs]		Narrow beam angle 10°
Lamp family code	LED-HB [LED High Brightness]	Operating and Electrical	
Beam angle of light source	10 °	Input Voltage	100 to 240 V
Light source color	Red, green and blue	Input Frequency	50 to 60 Hz
Light source replaceable	No	Controls and Dimming	
Driver included	Yes	Dimmable	Yes
Protection class IEC	Safety class I (I)	Mechanical and Housing	
Glow-wire test	650/5 [Temperature 650 °C, duration 5 s]	Color	White
CE mark	CE mark		
UL mark	UL mark		
Lifetime to 50% luminous flux	90000 h		
Lifetime to 70% luminous flux	70000 h		

ColorBlast Powercore BCP472

Approval and Application

Ingress protection code	IP66 [Dust penetration-protected, jet-proof]
Mech. impact protection code	IK10 [20 J vandal-resistant]

Initial Performance (IEC Compliant)

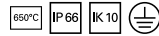
Initial luminous flux (system flux)	1418 lm
Initial LED luminaire efficacy	23.9 lm/W
Initial input power	50 W

Application Conditions

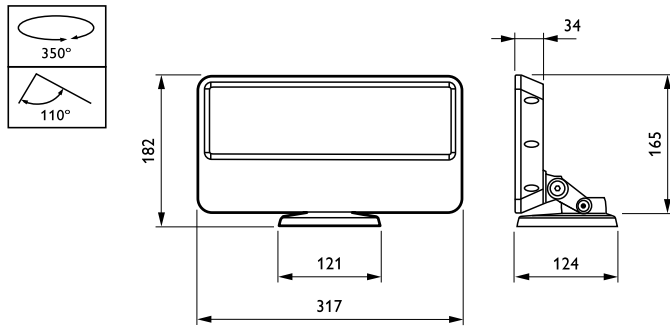
Ambient temperature range	-20 to +50 °C
---------------------------	---------------

Product Data

Full product code	871794379501799
Order product name	BCP472 36xLED-HB/RGB 100-240V 10 WH
EAN/UPC - Product	8717943795017
Order code	910503702321
Numerator - Quantity Per Pack	1
Numerator - Packs per outer box	2
Material Nr. (12NC)	910503702321
Net Weight (Piece)	3.000 kg



Dimensional drawing



ColorBlast Powercore

