



LuxSpace square, recessed

DN572B LED20S/840 PSE-E F WH

LuxSpace2 Square - LED Module, system flux 2000 lm - 840 neutral white - Power supply unit DC compatible, external - Facetted reflector - White RAL 9003

Customers are looking to optimize all their resources, and that means not just their running costs (energy, etc.) but also their human resources. Energy savings are therefore a priority, but they must not have an adverse effect on the well-being of employees, who need a pleasant environment in order to be more productive, or on customers, who want to enjoy their shopping experience. LuxSpace provides the perfect combination of efficiency, light comfort and design, without compromising on lighting performance (color rendering and color uniformity). It offers a wide choice of options for creating the desired ambience, no matter the application.

Product data

General information	
Number of light sources	1 pc
Lamp family code	LED20S [LED Module, system flux 2000 lm]
Light source color	840 neutral white
Cap-Base	- [-]
Light source replaceable	No
Number of gear units	1 unit
Gear	-
Driver/power unit/transformer	Power supply unit DC compatible, external
Driver included	Yes
Optic type	Facetted reflector

Optical cover/lens type	-
Luminaire light beam spread	80°
Emergency lighting	-
Connection	Push-in connector and pull relief
Cable	-
Protection class IEC	Safety class II
Glow-wire test	Temperature 850 °C, duration 5 s
Flammability mark	For mounting on normally flammable surfaces
CE mark	CE mark
ENEC mark	ENEC mark

LuxSpace square, recessed

UL mark	-
Warranty period	5 years
Decorative accessories	-
Remarks	*-Per Lighting Europe guidance paper "Evaluating performance of LED based luminaires - January 2018": statistically there is no relevant difference in lumen maintenance between B50 and for example B10. Therefore the median useful life (B50) value also represents the B10 value.
Constant light output	No
Number of products on MCB of 16 A type B	32
EU RoHS compliant	No
Product family code	DN572B [LuxSpace2 Square]
Unified glare rating CEN	19

Light Technical

Optical cover/lens type accessory	-
-----------------------------------	---

Operating and Electrical

Input Voltage	220 to 240 V
Input Frequency	50 to 60 Hz
Inrush current	18 A
Inrush time	0.24 ms
Power Factor (Min)	0.9

Controls and Dimming

Dimmable	No
----------	----

Mechanical and Housing

Housing configuration	-
Housing Material	Aluminum die cast
Reflector material	Polycarbonate aluminum coated
Optic material	Polycarbonate
Optical cover/lens material	Glass
Fixation material	Steel
Optical cover/lens finish	Frosted
Overall length	214 mm
Overall width	214 mm
Overall height	119 mm

Color	White RAL 9003
Dimensions (Height x Width x Depth)	119 x 214 x 214 mm (4.7 x 8.4 x 8.4 in)

Approval and Application

Ingress protection code	IP20 [Finger-protected]
Mech. impact protection code	IK02 [0.2 J standard]

Initial Performance (IEC Compliant)

Initial luminous flux (system flux)	2100 lm
Luminous flux tolerance	+/-10%
Initial LED luminaire efficacy	121 lm/W
Init. Corr. Color Temperature	4000 K
Init. Color Rendering Index	>80
Initial chromaticity	(0.38, 0.37) SDCM <3
Initial input power	17.4 W
Power consumption tolerance	+/-10%

Over Time Performance (IEC Compliant)

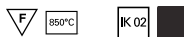
Control gear failure rate at median useful life 50000 h	5 %
Lumen maintenance at median useful life* 50000 h	L90

Application Conditions

Ambient temperature range	+10 to +25 °C
Performance ambient temperature Tq	25 °C
Suitable for random switching	Yes

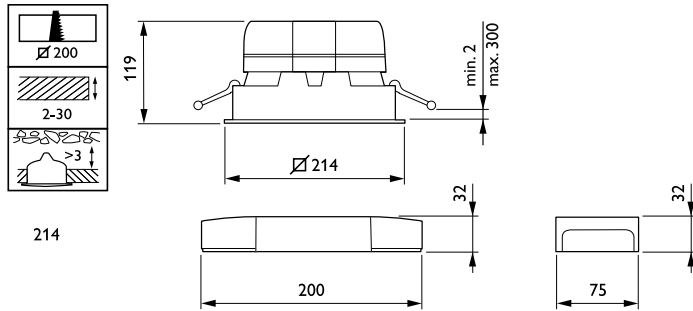
Product Data

Full product code	871829194030200
Order product name	DN572B LED205/840 PSE-E F WH
EAN/UPC - Product	8718291940302
Order code	910503706594
Numerator - Quantity Per Pack	1
Numerator - Packs per outer box	1
Material Nr. (12NC)	910503706594
Net Weight (Piece)	1.520 kg



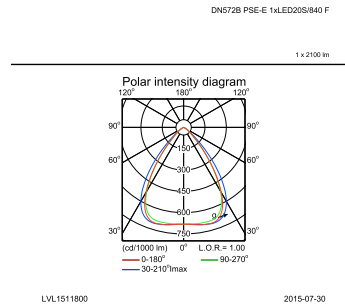
LuxSpace square, recessed

Dimensional drawing



LuxSpace gen2 DN570B-DN572B

Photometric data



IFGU1_DN572B PSE-E 1xLED20S840 F.EPS

IFPC1_DN572B PSE-E 1xLED20S840 F.EPS

