



# LuxSpace square, recessed

## DN572B LED24S/830 PSE-E C WH

LuxSpace2 Square - LED Module, system flux 2400 lm - 830 warm white - Power supply unit DC compatible, external - High-gloss mirror - White RAL 9003

Customers are looking to optimize all their resources, and that means not just their running costs (energy, etc.) but also their human resources. Energy savings are therefore a priority, but they must not have an adverse effect on the well-being of employees, who need a pleasant environment in order to be more productive, or on customers, who want to enjoy their shopping experience. LuxSpace provides the perfect combination of efficiency, light comfort and design, without compromising on lighting performance (color rendering and color uniformity). It offers a wide choice of options for creating the desired ambience, no matter the application.

### Product data

General Information			
Number of light sources	1 pc	Optical cover/lens type	-
Lamp family code	LED24S [ LED Module, system flux 2400 lm]	Luminaire light beam spread	80°
Light source color	830 warm white	Emergency lighting	-
Cap-Base	- [ -]	Connection	Push-in connector and pull relief
Light source replaceable	No	Cable	-
Number of gear units	1 unit	Protection class IEC	Safety class II
Gear	-	Glow-wire test	Temperature 850 °C, duration 5 s
Driver/power unit/transformer	Power supply unit DC compatible, external	Flammability mark	For mounting on normally flammable surfaces
Driver included	Yes	CE mark	CE mark
Optic type	High-gloss mirror	ENEC mark	ENEC mark

## LuxSpace square, recessed

UL mark	-
Warranty period	5 years
Decorative accessories	-
Remarks	*-Per Lighting Europe guidance paper "Evaluating performance of LED based luminaires - January 2018": statistically there is no relevant difference in lumen maintenance between B50 and for example B10. Therefore the median useful life (B50) value also represents the B10 value.
Constant light output	No
Number of products on MCB of 16 A type B	32
EU RoHS compliant	No
Product family code	DN572B [ LuxSpace2 Square]
Unified glare rating CEN	19

### Light Technical

Optical cover/lens type accessory	-
-----------------------------------	---

### Operating and Electrical

Input Voltage	220 to 240 V
Input Frequency	50 to 60 Hz
Inrush current	18 A
Inrush time	0.24 ms
Power Factor (Min)	0.9

### Controls and Dimming

Dimmable	No
----------	----

### Mechanical and Housing

Housing configuration	-
Housing Material	Aluminum die cast
Reflector material	Polycarbonate aluminum coated
Optic material	Polycarbonate
Optical cover/lens material	Glass
Fixation material	Steel
Optical cover/lens finish	Frosted
Overall length	214 mm
Overall width	214 mm
Overall height	119 mm

Color	White RAL 9003
Dimensions (Height x Width x Depth)	119 x 214 x 214 mm (4.7 x 8.4 x 8.4 in)

### Approval and Application

Ingress protection code	IP20 [ Finger-protected]
Mech. impact protection code	IK02 [ 0.2 J standard]

### Initial Performance (IEC Compliant)

Initial luminous flux (system flux)	2400 lm
Luminous flux tolerance	+/-10%
Initial LED luminaire efficacy	114 lm/W
Init. Corr. Color Temperature	3000 K
Init. Color Rendering Index	>80
Initial chromaticity	(0.43, 0.40) SDCM <3
Initial input power	21 W
Power consumption tolerance	+/-10%

### Over Time Performance (IEC Compliant)

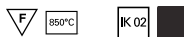
Control gear failure rate at median useful life 50000 h	5 %
Lumen maintenance at median useful life* 50000 h	L90

### Application Conditions

Ambient temperature range	+10 to +25 °C
Performance ambient temperature Tq	25 °C
Suitable for random switching	Yes

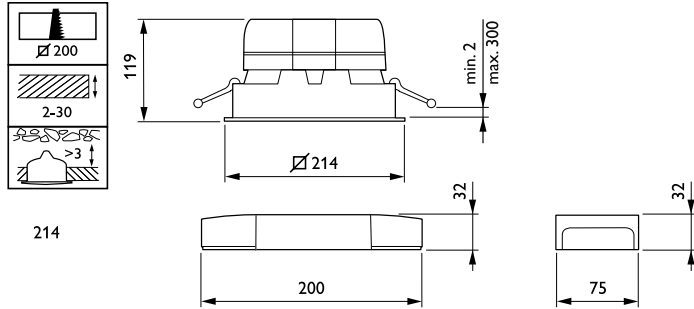
### Product Data

Full product code	871829194053100
Order product name	DN572B LED24S/830 PSE-E C WH
EAN/UPC - Product	8718291940531
Order code	910503706618
Numerator - Quantity Per Pack	1
Numerator - Packs per outer box	1
Material Nr. (12NC)	910503706618
Net Weight (Piece)	1.520 kg



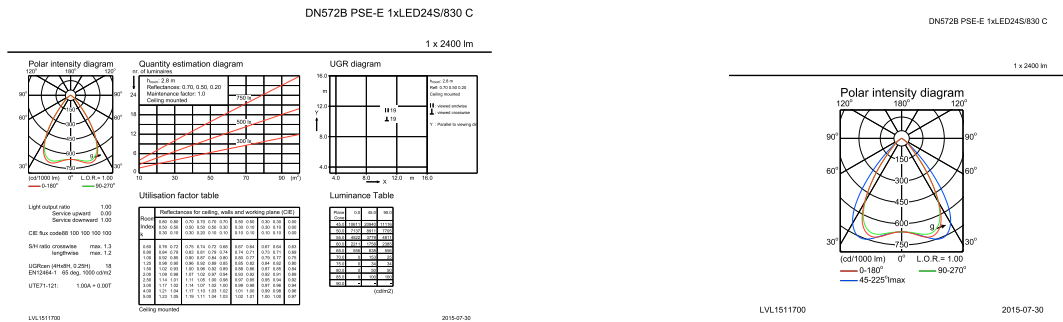
# LuxSpace square, recessed

## Dimensional drawing



LuxSpace gen2 DN570B-DN572B

## Photometric data



IFGU\_DN572B PSE-E 1xLED24S/830 C-General uniform lighting

IFPC1\_DN572B PSE-E 1xLED24S830 C.EPS

