

CoreLine Panel

RC132V LED36S/840 PSU W60L60 OC

LED Module, system flux 3600 lm – 840 neutral white – Power supply unit

Whether for a new building or renovation of an existing space, customers want lighting solutions that provide quality of light and substantial energy and maintenance savings. The new CoreLine Panel range of LED products can be used to replace functional luminaires in general lighting applications. Both Non-Office Compliant (NOC) version and Office Compliant version (OC) are now available. The process of selecting, installing and maintaining is so easy – it's a simple switch.

Product data

General Information		CE mark	CE mark
Lamp family code	LED36S [LED Module, system flux 3600 lm]	ENEC mark	ENEC mark
Beam angle of light source	120 °	Warranty period	5 years
Light source colour	840 neutral white	Remarks	*-Per Lighting Europe guidance paper "Evaluating performance of LED based luminaires - January 2018": statistically there is no relevant difference in lumen maintenance between B50 and for example B10. Therefore the median useful life (B50) value also represents the B10 value.
Light source replaceable	No	Constant light output	Yes
Number of gear units	1 unit	Number of products on MCB	24
Driver/power unit/transformer	PSU [Power supply unit]	EU RoHS compliant	Yes
Driver included	Yes	Unified glare rating CEN	19
Optic type	No [-]	Operating and Electrical	
Luminaire light beam spread	90°	Input voltage	220 to 240 V
Control interface	-		
Connection	PIP [Push-in connector and pull relief]		
Cable	Cord 0.25 m with push-in connector		
Protection class IEC	Safety class II (II)		
Glow-wire test	650/30 [Temperature 650 °C, duration 30 s]		
Flammability mark	F [For mounting on normally flammable surfaces]		

CoreLine Panel

Input frequency	50 to 60 Hz
Average CLO power consumption	33 W
Inrush current	6 A
Inrush time	0.3 ms
Power factor (min.)	0.9

Controls and Dimming

Dimmable	No
----------	----

Mechanical and Housing

Housing material	Aluminum
Reflector material	-
Optic material	Polymethyl methacrylate
Optical cover/lens material	Polymethyl methacrylate
Fixation material	Aluminium
Optical cover/lens finish	Opal
Overall length	597 mm
Overall width	597 mm
Overall height	32 mm
Colour	White
Dimensions (height x width x depth)	32 x 597 x 597 mm (1.3 x 23.5 x 23.5 in)

Approval and Application

Ingress protection code	IP20/44 [Finger-protected; wire-protected, splash-proof]
Mech. impact protection code	IK03 [0.3 J]

Initial Performance (IEC Compliant)

Initial luminous flux	3600 lm
Luminous flux tolerance	+/-10%
Initial LED luminaire efficacy	110 lm/W

Init. Corr. colour temperature	4000 K
Init. colour rendering index	≥80
Initial chromaticity	(0.38, 0.38) SDCM <3
Initial input power	33 W
Power consumption tolerance	+/-10%

Over Time Performance (IEC Compliant)

Control gear failure rate at median useful life 50,000 h	5 %
Lumen maintenance at median useful life* 50,000 h	L75

Application Conditions

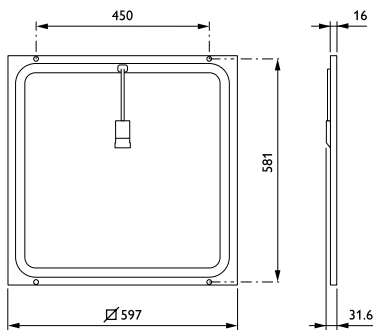
Ambient temperature range	+10 to +40 °C
Performance ambient temperature Tq	25 °C
Maximum dimming level	Not applicable
Suitable for random switching	Not applicable

Product Data

Full product code	871869938098400
Order product name	RC132V LED36S/840 PSU W60L60 OC
EAN/UPC – product	8718699380984
Order code	38098400
Numerator – quantity per pack	1
Numerator – packs per outer box	1
Material no. (12NC)	910503910310
Net weight (piece)	2.750 kg

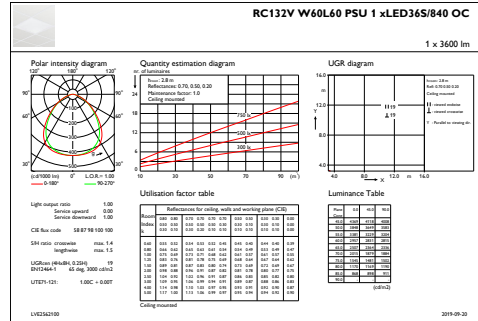
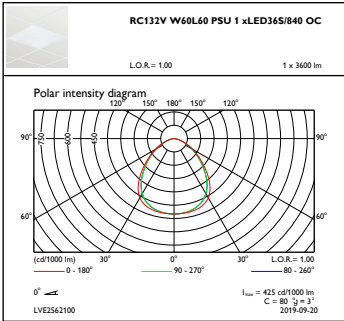


Dimensional drawing



CoreLine Panel RC132V/RC133V

Photometric data



OFPC1_RC132VW60L60PSU1xLED36S840OC

IFGU1_RC132VW60L60PSU1xLED36S840OC

