



CityCharm Cone

BDS491 GRN100-/740 I DM GRB DF-S GR CLO

CityCharm Cone - LED GreenLine 10000 lm - Distribution medium - Diffuser element structured - Constant light output

CityCharm Cone is designed for use in urban areas where comfortable lighting, ambiance and design play an important role. Its unobtrusive appearance makes it a timeless, future-proof luminaire that is ideal for residential areas, parks, footpaths and cycle lanes, where visual comfort and maximum efficiency are key. CityCharm offers a choice of two iconic designs (Cone and Cordoba) and various accessories, enabling you to create a lighting solution that carries your signature, both by day and by night. CityCharm luminaires are also available as a complete set, with a choice of dedicated poles and brackets.

Product data

General Information			
Number of light sources	40 [40 pcs]	Control interface	-
Lamp family code	GRN100 [LED GreenLine 10000 lm]	Light regulation	-
Light source colour	740 neutral white	Electrical circuit protection	Fuse included
Light source replaceable	Yes	Connection	Flying leads/wires
Number of gear units	1 unit	Cable	Cable 0.2 m without plug
Gear	EB [Electronic]	Protection class IEC	Safety class I (I)
Driver/power unit/transformer	PSR-CLO [Power supply unit regulating with constant light output]	Coating	-
Driver included	Yes	Glow-wire test	650/30 [Temperature 650 °C, duration 30 s]
Decorative spill light	Gray bowl	Flammability mark	NO [-]
Optical element	DF-S [Diffuser element structured]	CE mark	CE mark
Optical cover/lens type	PC [Polycarbonate bowl/cover]	ENEC mark	ENEC mark
Luminaire light beam spread	360°	Warranty period	5 years
Embedded control	CLO [Constant light output]	Outdoor optic type	Distribution medium

CityCharm Cone

Remarks	* At extreme ambient temperatures the luminaire might automatically dim down to protect components
Constant light output	Yes
Spare parts available	Yes
Number of products on MCB	11
Photobiological risk	Risk group 1
Product recyclability	56%
WEEE mark	WEEE mark
LED engine type	LED
Product Family Code	BDS491 [CityCharm Cone]

Light Technical

Upward light output ratio	0.03
Initial luminous flux at 15°C	10000 lm
Initial luminous flux at 25°C	10000 lm
Initial luminous flux at 35°C	10000 lm
Standard tilt angle post-top	0°
Standard tilt angle side entry	0°

Operating and Electrical

Input voltage	220 to 240 V
Input frequency	50 to 60 Hz
Initial CLO power consumption	56 W
Average CLO power consumption	63 W
End CLO power consumption	70 W
Inrush current	80 A
Inrush time	15 ms
Driver current	605 mA
Power factor (min.)	0.8
Power factor (nom.)	0.9

Controls and Dimming

Dimmable	No
----------	----

Mechanical and Housing

Housing material	Aluminum
Reflector material	-
Optic material	Polycarbonate
Optical cover/lens material	Polycarbonate
Fixation material	Aluminum

Mounting device	60 [Spigot for diameter 60 mm]
Optical cover/lens shape	Hemispherical
Optical cover/lens finish	Clear
Torque	25
Overall height	529 mm
Overall diameter	556 mm
Effective projected area	0.1155 m ²
Colour	Gray
Dimensions (height x width x depth)	529 x NaN x NaN mm (20.8 x NaN x NaN in)

Approval and Application

Ingress protection code	IP66 [Dust penetration-protected, jet-proof]
Mech. impact protection code	IK10 [20 J vandal-resistant]
Surge protection (common/differential)	Surge protection level until 10 kV

Initial Performance (IEC Compliant)

Initial luminous flux	7379 lm
Luminous flux tolerance	+/-10%
Initial LED luminaire efficacy	105 lm/W
Init. Corr. colour temperature	4000 K
Init. colour rendering index	≥70
Initial chromaticity	(0.380, 0.370) SDCM <3
Initial input power	70 W
Power consumption tolerance	+/-10%

Application Conditions

Ambient temperature range	-40 to +50 °C
Maximum dimming level	Not applicable

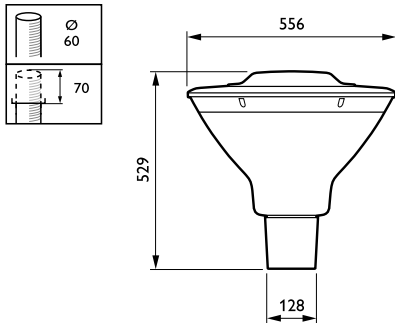
Product Data

Full product code	871869692151700
Order product name	BDS491 GRN100-/740 I DM GRB DF-S GR CLO
EAN/UPC – product	8718696921517
Order code	92151700
Numerator – quantity per pack	1
Numerator – packs per outer box	1
Material no. (I2NC)	910505017167
Net weight (piece)	12.000 kg



CityCharm Cone

Dimensional drawing



CityCharm BDS490/491

