



# CityCharm Cone

## BDS491 GRN10-/740 I DM GRB DF-S GR CLO S

CityCharm Cone - LED GreenLine 1000 lm - Distribution medium - Diffuser element structured - Constant light output

CityCharm Cone is designed for use in urban areas where comfortable lighting, ambiance and design play an important role. Its unobtrusive appearance makes it a timeless, future-proof luminaire that is ideal for residential areas, parks, footpaths and cycle lanes, where visual comfort and maximum efficiency are key. CityCharm offers a choice of two iconic designs (Cone and Cordoba) and various accessories, enabling you to create a lighting solution that carries your signature, both by day and by night. CityCharm luminaires are also available as a complete set, with a choice of dedicated poles and brackets.

### Product data

| General Information           |  |                               |   |
|-------------------------------|--|-------------------------------|---|
| Number of light sources       | 8 [ 8 pcs]   | Control interface             | -   |
| Lamp family code              | GRN10 [ LED GreenLine 1000 lm]                                     | Light regulation              | -   |
| Light source colour           | 740 neutral white  | Electrical circuit protection | Fuse included                               |
| Light source replaceable      | Yes  | Connection                    | Flying leads/wires                          |
| Number of gear units          | 1 unit   | Cable                         | Cable 0.2 m without plug                    |
| Gear                          | EB [ Electronic]   | Protection class IEC          | Safety class I (I)                          |
| Driver/power unit/transformer | PSR-CLO [ Power supply unit regulating with constant light output] | Coating                       | -   |
| Driver included               | Yes  | Glow-wire test                | 650/30 [ Temperature 650 °C, duration 30 s] |
| Decorative spill light        | Gray bowl  | Flammability mark             | NO [ -]                                     |
| Optical element               | DF-S [ Diffuser element structured]                                | CE mark                       | CE mark                                     |
| Optical cover/lens type       | PC [ Polycarbonate bowl/cover]                                     | ENEC mark                     | ENEC mark                                   |
| Luminaire light beam spread   | 360°   | Warranty period               | 5 years                                     |
| Embedded control              | CLO [ Constant light output]                                       | Outdoor optic type            | Distribution medium                         |

# CityCharm Cone

|                           |  |
|---------------------------|--|
| Remarks                   | * At extreme ambient temperatures the luminaire might automatically dim down to protect components |
| Constant light output     | Yes  |
| Spare parts available     | Yes  |
| Number of products on MCB | 32   |
| Photobiological risk      | Risk group 1   |
| Product recyclability     | 56%  |
| WEEE mark                 | WEEE mark  |
| LED engine type           | LED  |
| Product Family Code       | BDS491 [ CityCharm Cone]   |

## Light Technical

|                                |         |
|--------------------------------|---------|
| Upward light output ratio      | 0.03    |
| Initial luminous flux at 15°C  | 1000 lm |
| Initial luminous flux at 25°C  | 1000 lm |
| Initial luminous flux at 35°C  | 1000 lm |
| Standard tilt angle post-top   | 0°      |
| Standard tilt angle side entry | 0°      |

## Operating and Electrical

|                               |              |
|-------------------------------|--------------|
| Input voltage                 | 220 to 240 V |
| Input frequency               | 50 to 60 Hz  |
| Initial CLO power consumption | 7.2 W        |
| Average CLO power consumption | 8.1 W        |
| End CLO power consumption     | 9 W          |
| Inrush current                | 28 A         |
| Inrush time                   | 15 ms        |
| Driver current                | 305 mA       |
| Power factor (min.)           | 0.8          |
| Power factor (nom.)           | 0.9          |

## Controls and Dimming

|          |    |
|----------|----|
| Dimmable | No |
|----------|----|

## Mechanical and Housing

|                             |               |
|-----------------------------|---------------|
| Housing material            | Aluminum      |
| Reflector material          | -             |
| Optic material              | Polycarbonate |
| Optical cover/lens material | Polycarbonate |
| Fixation material           | Aluminum      |

|                                     |  |
|-------------------------------------|--|
| Mounting device                     | 60 [ Spigot for diameter 60 mm]          |
| Optical cover/lens shape            | Hemispherical                            |
| Optical cover/lens finish           | Clear                                    |
| Torque                              | 25                                       |
| Overall height                      | 529 mm                                   |
| Overall diameter                    | 556 mm                                   |
| Effective projected area            | 0.1155 m <sup>2</sup>                    |
| Colour                              | Gray                                     |
| Dimensions (height x width x depth) | 529 x NaN x NaN mm (20.8 x NaN x NaN in) |

## Approval and Application

|  |   |
|--|---|
| Ingress protection code                | IP66 [ Dust penetration-protected, jet-proof] |
| Mech. impact protection code           | IK10 [ 20 J vandal-resistant]                 |
| Surge protection (common/differential) | Surge protection level until 10 kV            |

## Initial Performance (IEC Compliant)

|                                |                        |
|--------------------------------|------------------------|
| Initial luminous flux          | 889 lm                 |
| Luminous flux tolerance        | +/-10%                 |
| Initial LED luminaire efficacy | 97 lm/W                |
| Init. Corr. colour temperature | 4000 K                 |
| Init. colour rendering index   | ≥70                    |
| Initial chromaticity           | (0.380, 0.370) SDCM <3 |
| Initial input power            | 9 W                    |
| Power consumption tolerance    | +/-10%                 |

## Application Conditions

|                           |                |
|---------------------------|----------------|
| Ambient temperature range | -40 to +50 °C  |
| Maximum dimming level     | Not applicable |

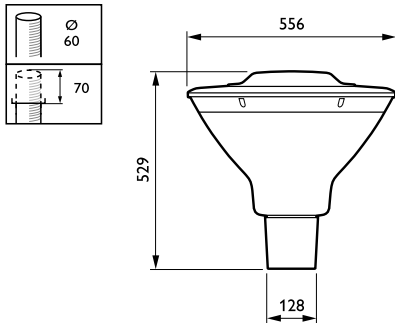
## Product Data

|                                 |  |
|---------------------------------|--|
| Full product code               | 871869692152400                          |
| Order product name              | BDS491 GRN10-/740 I DM GRB DF-S GR CLO S |
| EAN/UPC – product               | 8718696921524                            |
| Order code                      | 92152400                                 |
| Numerator – quantity per pack   | 1  |
| Numerator – packs per outer box | 1  |
| Material no. (I2NC)             | 910505017168                             |
| Net weight (piece)              | 12.000 kg                                |



# CityCharm Cone

## Dimensional drawing



CityCharm BDS490/491

