



CityCharm Cone

BDS491 GRN30-/740 II DM GRB GR H07RN-PX1

CityCharm Cone - LED GreenLine 3000 lm - Distribution medium - Spigot for diameter 60 mm

CityCharm Cone is designed for use in urban areas where comfortable lighting, ambiance and design play an important role. Its unobtrusive appearance makes it a timeless, future-proof luminaire that is ideal for residential areas, parks, footpaths and cycle lanes, where visual comfort and maximum efficiency are key. CityCharm offers a choice of two iconic designs (Cone and Cordoba) and various accessories, enabling you to create a lighting solution that carries your signature, both by day and by night. CityCharm luminaires are also available as a complete set, with a choice of dedicated poles and brackets.

Product data

| General Information | | | |
|-------------------------------|-------------------------------------|-------------------------------|--|
| Number of light sources | 20 [20 pcs] | Light regulation | - |
| Lamp family code | GRN30 [LED GreenLine 3000 lm] | Electrical circuit protection | - |
| Light source colour | 740 neutral white | Connection | Flying leads/wires |
| Light source replaceable | Yes | Cable | Cable 0.2 m without plug |
| Number of gear units | 1 unit | Protection class IEC | Safety class II (II) |
| Gear | EB [Electronic] | Coating | - |
| Driver/power unit/transformer | PSR [Power supply unit regulating] | Glow-wire test | 650/30 [Temperature 650 °C, duration 30 s] |
| Driver included | Yes | Flammability mark | NO [-] |
| Decorative spill light | Gray bowl | CE mark | CE mark |
| Optical element | No [-] | ENEC mark | ENEC mark |
| Optical cover/lens type | PC [Polycarbonate bowl/cover] | Warranty period | 5 years |
| Luminaire light beam spread | 360° | Outdoor optic type | Distribution medium |
| Embedded control | No [-] | Remarks | * At extreme ambient temperatures the luminaire might automatically dim down to protect components |
| Control interface | - | | |

CityCharm Cone

| | |
|---------------------------|--------------------------|
| Constant light output | No |
| Spare parts available | Yes |
| Number of products on MCB | 32 |
| Photobiological risk | Risk group 1 |
| Product recyclability | 56% |
| WEEE mark | WEEE mark |
| LED engine type | LED |
| Product Family Code | BDS491 [CityCharm Cone] |

Light Technical

| | |
|--------------------------------|---------|
| Upward light output ratio | 0.03 |
| Initial luminous flux at 15°C | 3000 lm |
| Initial luminous flux at 25°C | 3000 lm |
| Initial luminous flux at 35°C | 3000 lm |
| Standard tilt angle post-top | 0° |
| Standard tilt angle side entry | 0° |

Operating and Electrical

| | |
|---------------------|--------------|
| Input voltage | 220 to 240 V |
| Input frequency | 50 to 60 Hz |
| Inrush current | 27 A |
| Inrush time | 15 ms |
| Driver current | 340 mA |
| Power factor (min.) | 0.8 |
| Power factor (nom.) | 0.9 |

Controls and Dimming

| | |
|----------|----|
| Dimmable | No |
|----------|----|

Mechanical and Housing

| | |
|-----------------------------|---------------------------------|
| Housing material | Aluminum |
| Reflector material | - |
| Optic material | Polycarbonate |
| Optical cover/lens material | Polycarbonate |
| Fixation material | Aluminum |
| Mounting device | 60 [Spigot for diameter 60 mm] |
| Optical cover/lens shape | Hemispherical |
| Optical cover/lens finish | Clear |
| Torque | 25 |

| | |
|-------------------------------------|--|
| Overall height | 529 mm |
| Overall diameter | 556 mm |
| Effective projected area | 0.1155 m ² |
| Colour | Gray |
| Dimensions (height x width x depth) | 529 x NaN x NaN mm (20.8 x NaN x NaN in) |

Approval and Application

| | |
|--|--|
| Ingress protection code | IP66 [Dust penetration-protected, jet-proof] |
| Mech. impact protection code | IK10 [20 J vandal-resistant] |
| Surge protection (common/differential) | Luminaire surge protection level up to 6 kV differential mode and 8 kV common mode |

Initial Performance (IEC Compliant)

| | |
|--------------------------------|------------------------|
| Initial luminous flux | 2320 lm |
| Luminous flux tolerance | +/-10% |
| Initial LED luminaire efficacy | 113 lm/W |
| Init. Corr. colour temperature | 4000 K |
| Init. colour rendering index | ≥70 |
| Initial chromaticity | (0.380, 0.370) SDCM <3 |
| Initial input power | 21 W |
| Power consumption tolerance | +/-10% |

Application Conditions

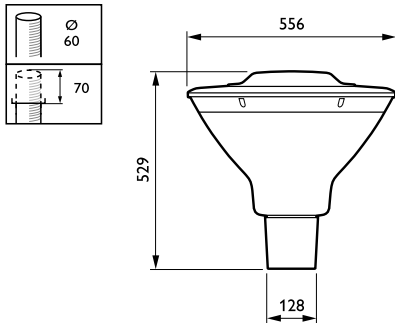
| | |
|---------------------------|----------------|
| Ambient temperature range | -40 to +50 °C |
| Maximum dimming level | Not applicable |

Product Data

| | |
|---------------------------------|--|
| Full product code | 871869692170800 |
| Order product name | BDS491 GRN30-/740 II DM GRB GR H07RN-PX1 |
| EAN/UPC – product | 8718696921708 |
| Order code | 92170800 |
| Numerator – quantity per pack | 1 |
| Numerator – packs per outer box | 1 |
| Material no. (12NC) | 910505017186 |
| Net weight (piece) | 12.000 kg |

CityCharm Cone

Dimensional drawing



CityCharm BDS490/491

