



ProFlood LED

BCP608 LED55/740 II EB GOBO GR10714 MSP

PROFLOOD LED - 1 pc - LED Multi-die - LED - Electronic Standard - Power supply unit regulating with constant light output - Symmetrical - Tempered glass - 40° - - - Mounting bracket adjustable

ProFlood LED is a waterproof projector allowing both image projection and creative light framing – a powerful tool that gives display lighting designers great creative freedom. They can adjust the projector's output to precisely match the surroundings or to create a particular effect, virtually 'sculpting' the light.

Product data

General Information		Glow-wire test	
Number of light sources	1 [1 pc]	Flammability mark	60030 [Temperature 600 °C, duration 30 s]
Lamp family code	LED-MD [LED Multi-die]	CE mark	NO [-]
Light source colour	740 neutral white	ENEC mark	CE mark
Light source replaceable	No	UL mark	-
Number of gear units	1 unit	Warranty period	-
Gear	EBS [Electronic Standard]	Outdoor optic type	1 years
Driver/power unit/transformer	PSR-CLO [Power supply unit regulating with constant light output]	Remarks	Symmetrical
Driver included	Yes		* -Per Lighting Europe guidance paper "Evaluating performance of LED based luminaires - January 2018": statistically there is no relevant difference in lumen maintenance between B50 and for example B10. Therefore the median useful life (B50) value also represents the B10 value. * At extreme ambient temperatures the luminaire might automatically dim down to protect components
Optical cover/lens type	GT [Tempered glass]		
Luminaire light beam spread	40°		
Control interface	-		
Connection	CU3 [Connection unit 3-pole]		
Cable	-		
Protection class IEC	Safety class II (II)		
Colour choice	Dark gray 10714		

ProFlood LED

Constant light output	No
Spare parts available	Yes
Number of products on MCB	1
Lifecycle services	Maintenance services
Photobiological risk	Risk group 0
Product recyclability	95%
RoHS mark	RoHS mark
WEEE mark	-
LED engine type	LED
Product Family Code	BCP608 [PROFLOOD LED]

Light Technical

Upward light output ratio	0.67
Initial luminous flux at 15°C	3680 lm
Initial luminous flux at 25°C	3680 lm
Standard tilt angle post-top	0°
Standard tilt angle side entry	0°

Operating and Electrical

Input voltage	220/240 V
Input frequency	50 or 60 Hz
Inrush current	20 A
Inrush time	0.275 ms
Power factor (min.)	0.9
Power factor (nom.)	0.98

Controls and Dimming

Dimmable	No
----------	----

Mechanical and Housing

Housing material	Aluminum
Reflector material	Glass
Optic material	Glass
Optical cover/lens material	Glass
Fixation material	Steel
Mounting device	MBA [Mounting bracket adjustable]
Optical cover/lens shape	Curved
Optical cover/lens finish	Clear
Torque	34
Overall length	674 mm
Overall width	294 mm
Overall height	400 mm
Effective projected area	0.12 m ²

Colour	Gray
Dimensions (height x width x depth)	400 x 294 x 674 mm (15.7 x 11.6 x 26.5 in)

Approval and Application

Ingress protection code	IP66 [Dust penetration-protected, jet-proof]
Mech. impact protection code	IK06 [1 J]
Surge protection (common/differential)	Luminaire surge protection level up to 4 kV differential mode and 4 kV common mode

Initial Performance (IEC Compliant)

Initial luminous flux	3750 lm
Luminous flux tolerance	+/-5%
Initial LED luminaire efficacy	75 lm/W
Init. Corr. colour temperature	4000 K
Init. colour rendering index	>70
Initial chromaticity	(0.3862,0.3758) 4-step
Initial input power	50 W
Power consumption tolerance	+/-5%

Over Time Performance (IEC Compliant)

Control gear failure rate at median useful life 50,000 h	5 %
Lumen maintenance at median useful life* 50,000 h	L80

Application Conditions

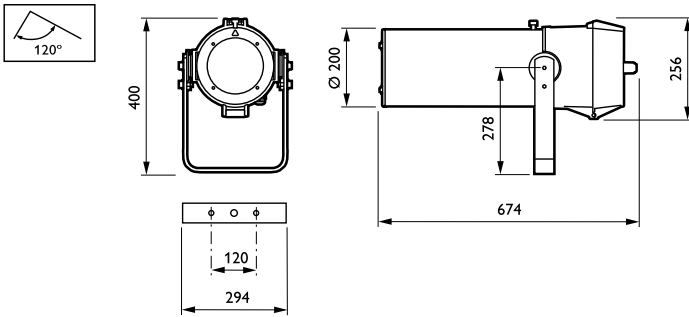
Ambient temperature range	-40 to +50 °C
Performance ambient temperature Tq	25 °C
Maximum dimming level	Not applicable

Product Data

Full product code	871869692979700
Order product name	BCP608 LED55/740 II EB GOBO GR10714 MSP
EAN/UPC – product	8718696929797
Order code	92979700
Numerator – quantity per pack	1
Numerator – packs per outer box	1
Material no. (12NC)	910505017284
Net weight (piece)	16.600 kg

ProFlood LED

Dimensional drawing



ProFlood LED BCP608/BCP609

