



Maxos LED Performer

4MX900 LED60S/840 PSD NB WH L1800

Maxos LED Performer - Generation 3 - LED Module, system flux 6000 lm - 840 neutral white - Power supply unit with DALI interface - Narrow beam - White

Customers want to save energy and reduce cost compared to what they are used to with conventional lighting. At the same time, excellent lighting conditions are needed: in industrial environments, to guarantee safety and productivity; and in retail environments, to make the merchandise stand out and attract shoppers. Maxos LED Performer is an extremely flexible solution that delivers low energy consumption and excellent beam shaping at an attractive investment level.

Product data

General Information			
Number of light sources	1 [1 pc]	Glow-wire test	650/30 [Temperature 650 °C, duration 30 s]
Lamp family code	LED60S [LED Module, system flux 6000 lm]	Flammability mark	NO [-]
Beam angle of light source	120 °	CE mark	CE mark
Light source colour	840 neutral white	ENEC mark	ENEC mark
Light source replaceable	No	Warranty period	5 years
Number of gear units	1 unit	Remarks	*-Per Lighting Europe guidance paper "Evaluating performance of LED based luminaires - January 2018": statistically there is no relevant difference in lumen maintenance between B50 and for example B10. Therefore the median useful life (B50) value also represents the B10 value.
Driver/power unit/transformer	PSD [Power supply unit with DALI interface]	Constant light output	No
Driver included	Yes	Number of products on MCB	24
Optic type	NB [Narrow beam]	EU RoHS compliant	Yes
Luminaire light beam spread	34°	Product Family Code	4MX900 [Maxos LED Performer]
Emergency lighting	No [-]		
Control interface	DALI		
Connection	CU5 [Connection unit 5-pole]		
Cable	-		
Protection class IEC	Safety class I (I)		

Maxos LED Performer

Unified glare rating CEN	Not applicable
--------------------------	----------------

Operating and Electrical

Input voltage	220 to 240 V
Input frequency	50 to 60 Hz
Control signal voltage	0-16 V DC DALI
Inrush current	21 A
Inrush time	0.280 ms
Power factor (min.)	0.9

Controls and Dimming

Dimmable	Yes
----------	-----

Mechanical and Housing

Trunking length	No [-]
Housing material	Aluminum
Reflector material	-
Optic material	Polymethyl methacrylate
Optical cover/lens material	Polymethyl methacrylate
Fixation material	Steel
Optical cover/lens finish	Clear
Overall length	1800 mm
Overall width	87 mm
Overall height	82 mm
Colour	White
Dimensions (height x width x depth)	82 x 87 x 1800 mm (3.2 x 3.4 x 70.9 in)

Approval and Application

Ingress protection code	IP40 [Wire-protected]
Mech. impact protection code	IK02 [0.2 J standard]

Initial Performance (IEC Compliant)

Initial luminous flux	6000 lm
-----------------------	---------

Luminous flux tolerance	+/-10%
Initial LED luminaire efficacy	145 lm/W
Init. Corr. Colour Temperature	4000 K
Init. colour rendering index	≥80
Initial chromaticity	(0.38, 0.38) SDCM <3.5
Initial input power	41.5 W
Power consumption tolerance	+/-10%

Over Time Performance (IEC Compliant)

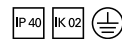
Control gear failure rate at median useful life 50,000 h	5 %
Lumen maintenance at median useful life* 50,000 h	L80

Application Conditions

Ambient temperature range	-20 to +40 °C
Performance ambient temperature Tq	25 °C
Maximum dimming level	1%
Suitable for random switching	Not applicable

Product Data

Full product code	403073266446799
Order product name	4MX900 LED60S/840 PSD NB WH L1800
EAN/UPC – product	4030732664467
Order code	66446799
Numerator – quantity per pack	1
Numerator – packs per outer box	2
Material no. (12NC)	910629137426
Net weight (piece)	2.900 kg



Dimensional drawing

590

500

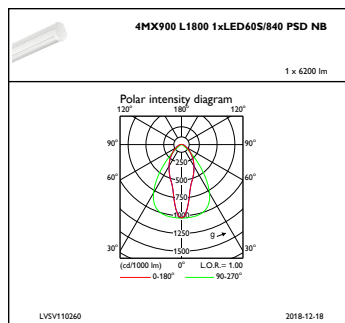
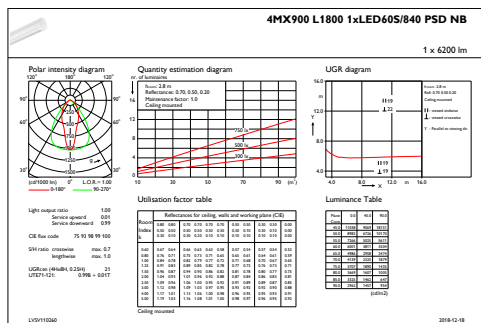
590

953

Maxos LED Performer 4MX900-933

Maxos LED Performer 4MX900-933

Photometric data



IFGU1_4MX900L18001xLED60S840PSDNB

IFPC1_4MX900L18001xLED60S840PSDNB

