



CoreLine Trunking

LL120Z MB-SW WH (2PCS)

Mounting bracket for suspension wire

Whether for a new facility or renovation of an existing space, customers want lighting solutions that provide quality of light and substantial energy and maintenance savings. The new CoreLine Trunking range of LED products can be used to replace general lighting. The process of selecting, installing and maintaining is so easy – it's a simple switch.

Product data

| General Information | |
|-------------------------|---|
| Material | Steel |
| Suspension accessories | MB-SW [Mounting bracket for suspension wire] |
| Mechanical accessories | No [-] |
| Packaging configuration | (2PCS) [2 pieces] |
| Accessory colour | White |
| Product Family Code | LL120Z [CoreLine Trunking Acc.] |

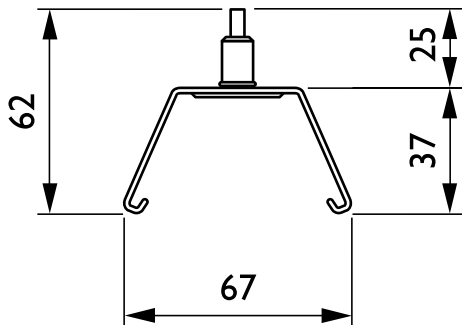
| Operating and Electrical | |
|--------------------------|--------------|
| Electrical accessories | No [-] |
| Input voltage | 220 to 240 V |

| Mechanical and Housing | |
|-------------------------------------|---|
| Dimensions (height x width x depth) | NaN x NaN x NaN mm (NaN x NaN x NaN in) |

| Product Data | |
|---------------------------------|------------------------|
| Full product code | 871829188155199 |
| Order product name | LL120Z MB-SW WH (2PCS) |
| EAN/UPC – product | 8718291881551 |
| Order code | 88155199 |
| Numerator – quantity per pack | 1 |
| Numerator – packs per outer box | 6 |
| Material no. (12NC) | 910925255035 |
| Net weight (piece) | 0.198 kg |

CoreLine Trunking

Dimensional drawing



CoreLine Trunking acc. LL120Z

