



# High Power GearUnits

## ECP330 MHN-SE2000W 380-430V

GearUnits - MASTER MHN-SE - 2000 W

Philips is one of the few companies able to provide total floodlight system solutions comprising all necessary elements – floodlight, lamp source and control gear unit. Our innovative high-power GearUnits are designed to meet our customers’ need for a compact gear solution that is completely ready for installation. The pre-wired high-power control gear units are intended for use in combination with floodlights that are suitable for high-wattage HID lamps and cannot integrate electrical components because of limited space or high temperatures. A gear unit contains all electrical components (ballast, ignitors, capacitors), wiring and terminal blocks needed to ensure initial lamp ignition and proper operation of the lamp in stabilized current. The electromagnetic high-power GearUnits are available in both IP20 (ECB330) and IP65 (ECP330) versions. Within the GearUnits family there is also an electronic ballast version (ECM330) available in IP20, which is suitable for the MVF403 MHN-LA 1000 W and MVF404 MHN-SE HO 2000 W ArenaVision floodlights. The ArenaVision floodlight family is specially designed for TV broadcasts from indoor and outdoor sports facilities. Electronic-ballast GearUnits completely eliminate the flicker effect, thereby guaranteeing perfect images filmed with super-slow-motion cameras.

### Product data

General Information	
Number of light sources	1 [ 1 pc]
Lamp family code	MHN-SE [ MASTER MHN-SE]
Lamp power	2000 W
Compensation circuit	Inductive parallel compensated
Number of gear units	1 unit
Gear	CONV [ Conventional]
Electrical circuit protection	-

Connection	SI [ Screw connection block]
Flammability mark	F [ For mounting on normally flammable surfaces]
CE mark	CE mark
ENEC mark	-
Product Family Code	ECP330 [ GearUnits]
Operating and Electrical	
Input voltage	380 to 430 V

## High Power GearUnits

Input frequency	50 Hz
Ignitor	No [-]

### Controls and Dimming

Dimmable	No
----------	----

### Mechanical and Housing

Housing material	Aluminium
Colour	Silver
Dimensions (height x width x depth)	NaN x NaN x NaN mm (NaN x NaN x NaN in)

### Approval and Application

Ingress protection code	IP65 [ Dust penetration-protected, jet-proof]
Mech. impact protection code	IK10 [ 20 J vandal-resistant]
Energy efficiency index	A3

### Initial Performance (IEC Compliant)

Initial input power	2120 W
---------------------	--------

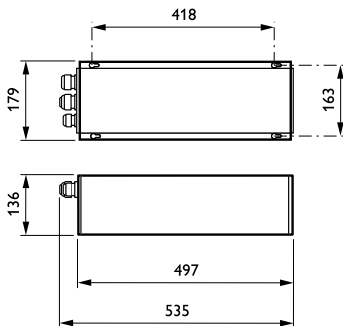
### Application Conditions

Ambient temperature range	-30 to +55 °C
---------------------------	---------------

### Product Data

Full product code	871829106301800
Order product name	ECP330 MHN-SE2000W 380-430V
EAN/UPC – product	8718291063018
Order code	910925728512
Numerator – quantity per pack	1
Numerator – packs per outer box	1
Material no. (12NC)	910925728512
Net weight (piece)	23.250 kg

## Dimensional drawing



GearUnits ECB330/ECP330

