



# LumiStreet

## BGP213 LED22-4S/740 I DM50 D9 48/60A

LumiStreet Small - LED module 2200 lm - 740 neutral white - Safety class I (I) - Distribution medium - Dimming via external communication DALI - Universal for diameter 48-60 mm adjustable

Many local authorities today have an outdated public lighting installation that urgently needs to be replaced, yet have only a limited budget available. We have the answer to their needs. With its compact design and modern LED architecture, LumiStreet is a versatile, cost-effective luminaire that fulfils basic functional road lighting requirements. It is made of high-quality components that ensure long lifetime and low maintenance cost. The result? A road lighting luminaire that provides effective illumination while at the same time cutting energy and maintenance bills.

### Product data

General Information			
Number of light sources	1 [ 1 pc]	Connection	SI [ Screw connection block]
Lamp family code	LED22 [ LED module 2200 lm]	Cable	-
Light source colour	740 neutral white	Protection class IEC	Safety class I (I)
Light source replaceable	Yes	Coating	-
Number of gear units	1 unit	Glow-wire test	850/5 [ Temperature 850 °C, duration 5 s]
Driver/power unit/transformer	PSD [ Power supply unit with DALI interface]	Flammability mark	NO [ -]
Driver included	Yes	CE mark	CE mark
Optical cover/lens type	FG [ Flat glass]	ENEC mark	ENEC mark
Luminaire light beam spread	154° - 31° x 54°	Warranty period	5 years
Embedded control	No [ -]	Outdoor optic type	Distribution medium
Control interface	DALI	Photocell	No [ -]
Light regulation	Dimming via external communication DALI	Remarks	*-Per Lighting Europe guidance paper "Evaluating performance of LED based

luminaires - January 2018\*: statistically there is no relevant difference in lumen maintenance between B50 and for example B10. Therefore the median useful life (B50) value also represents the B10 value. \* At extreme ambient temperatures the luminaire might automatically dim down to protect components

Supply cable type	No [ - ]
Constant light output	No
Spare parts available	Yes
Number of products on MCB	20
RoHS mark	-
WEEE mark	-
LED engine type	LED
Product Family Code	BGP213 [ LumiStreet Small]

## Light Technical

Upward light output ratio	0
Scotopic/photopic lumen ratio	1.6
Standard tilt angle post-top	0°
Standard tilt angle side entry	0°

## Operating and Electrical

Input voltage	220-240 V
Input frequency	50 to 60 Hz
Initial CLO power consumption	[DELETE] W
Average CLO power consumption	[DELETE] W
End CLO power consumption	[DELETE] W
Inrush current	22 A
Inrush time	0.29 ms
Driver current	494 mA
Power factor (min.)	0.93

## Controls and Dimming

Dimmable	Yes
----------	-----

## Mechanical and Housing

Housing material	Aluminum die-cast
Reflector material	Polycarbonate
Optic material	Polycarbonate
Optical cover/lens material	Tempered glass
Fixation material	Aluminum
Mounting device	48/60A [ Universal for diameter 48-60 mm adjustable]
Optical cover/lens shape	Flat
Optical cover/lens finish	Clear

Torque	15
Overall length	630 mm
Overall width	270 mm
Overall height	98 mm
Effective projected area	0.038 m²
Colour	Gray
Dimensions (height x width x depth)	98 x 270 x 630 mm (3.9 x 10.6 x 24.8 in)

## Approval and Application

Ingress protection code	IP66 [ Dust penetration-protected, jet-proof]
Mech. impact protection code	IK08 [ 5 J vandal-protected]
Surge protection (common/differential)	Philips standard surge protection level kV

## Initial Performance (IEC Compliant)

Initial luminous flux	1892 lm
Luminous flux tolerance	+/-7%
Initial LED luminaire efficacy	130 lm/W
Init. Corr. colour temperature	4000 K
Init. colour rendering index	70
Initial chromaticity	(0.381, 0.379) SDCM <5
Initial input power	14.6 W
Power consumption tolerance	+/-11%

## Over Time Performance (IEC Compliant)

Control gear failure rate at median useful life 100,000 h	10 %
Lumen maintenance at median useful life* 100,000 h	L91

## Application Conditions

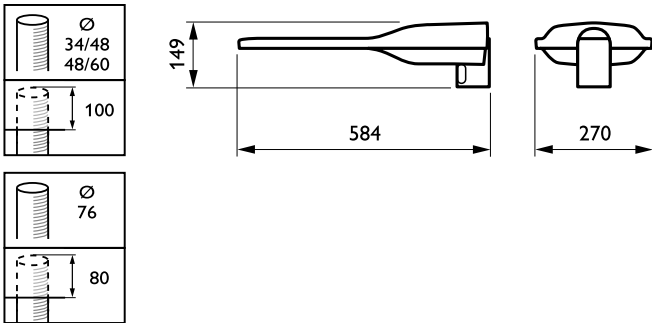
Ambient temperature range	-40 to +50 °C
Performance ambient temperature Tq	25 °C
Maximum dimming level	0% (digital)

## Product Data

Full product code	871869634876500
Order product name	BGP213 LED22-4S/740 I DM50 D9 48/60A
EAN/UPC – product	8718696348765
Order code	34876500
Numerator – quantity per pack	1
Numerator – packs per outer box	1
Material no. (12NC)	910925863466
Net weight (piece)	6.110 kg

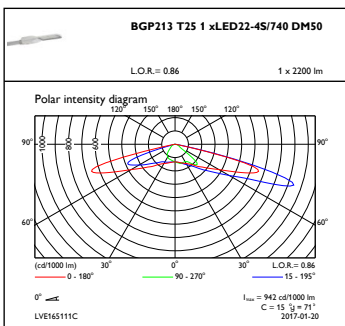


Dimensional drawing



LumiStreet Small BGP/BGS212/213

Photometric data



OFPC1\_BGP213T251xLED22-4S740DM50

