



Pacific LED gen4

WT470C LED42S/840 PSU O L1300

PACIFIC LED WATERPROOF - 840 neutral white - Power supply unit - White reflector and opal cover - Screw connection with pug and socket

PacificLED gen4 is a highly efficient and reliable LED waterproof luminaire that offers an excellent quality of light, with a uniform light distribution without visible striping or color artefacts. The range offers modular construction to enable ease of upgrade and maintenance. The new optical system provides distortion-free lighting with improved visual guidance, which makes it ideally suited to general industry, warehouses and parking areas. The range also offers the option of multiple optics to ensure an optimized lighting scheme for a wide range of applications. For industrial applications, PacificLED gen4 offers an open product architecture with toolless access to the gear tray and an innovative end-cap design with built-in connector for fast and easy installation. The single-piece mounting clamp ensures no small, loose components which could affect the primary production process.

Product data

General Information			
Beam angle of light source	120 °	Cable	-
Lamp colour code	840 neutral white	Protection class IEC	Safety class I (I)
Light source replaceable	Yes	Glow-wire test	850/5 [Temperature 850 °C, duration 5 s]
Number of gear units	1 unit	Flammability mark	D [For mounting on easily flammable surfaces]
Driver/power unit/transformer	PSU [Power supply unit]	CE mark	CE mark
Driver included	Yes	ENEC mark	ENEC mark
Optic type	White reflector and opal cover	Warranty period	5 years
Luminaire light beam spread	120° x 120°	Remarks	*-Per Lighting Europe guidance paper "Evaluating performance of LED based luminaires - January 2018": statistically there
Connection	SI-PS [Screw connection with pug and socket]		

Pacific LED gen4

	is no relevant difference in lumen maintenance between B50 and for example B10. Therefore the median useful life (B50) value also represents the B10 value.
Constant light output	No
Number of products on MCB	32
Product Family Code	WT470C [PACIFIC LED WATERPROOF]
Unified glare rating CEN	25

Operating and Electrical

Input voltage	220-240 V
Input frequency	50 to 60 Hz
Inrush current	15.1 A
Inrush time	0.23 ms
Power factor (min.)	0.98

Controls and Dimming

Dimmable	No
----------	----

Mechanical and Housing

Housing material	Polycarbonate
Reflector material	-
Optic material	Polycarbonate
Optical cover/lens material	Polycarbonate
Fixation material	Steel
Optical cover/lens finish	Opal
Overall length	1321 mm
Overall width	96 mm
Overall height	108 mm
Colour	White
Dimensions (height x width x depth)	108 x 96 x 1321 mm (4.3 x 3.8 x 52 in)

Approval and Application

Ingress protection code	IP66 [Dust penetration-protected, jet-proof]
Mech. impact protection code	IK08 [5 J vandal-protected]

Initial Performance (IEC Compliant)

Initial luminous flux	4000 lm
-----------------------	---------

Luminous flux tolerance	+/-7%
Initial LED luminaire efficacy	131 lm/W
Lamp colour temperature	4000 K
Colour Rendering Index	>80
Initial chromaticity	(0.38, 0.38) SDCM <3
Initial input power	30.5 W
Power consumption tolerance	+/-11%

Over Time Performance (IEC Compliant)

Control gear failure rate at median useful life 50,000 h	5 %
Control gear failure rate at median useful life 100,000 h	10 %
Lumen maintenance at median useful life* 50,000 h	L80
Lumen maintenance at median useful life* 100,000 h	L70

Application Conditions

Ambient temperature range	-25 to +45 °C
Performance ambient temperature Tq	25 °C
Suitable for random switching	Not applicable

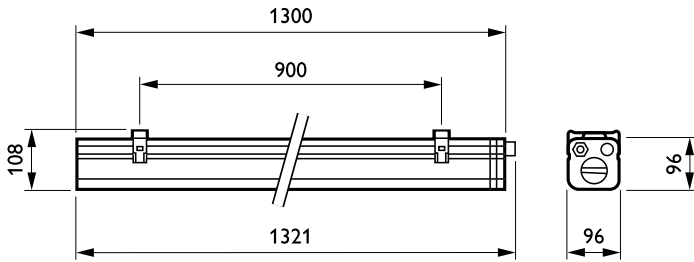
Product Data

Full product code	871869637944800
Order product name	WT470C LED42S/840 PSU O L1300
EAN/UPC – product	8718696379448
Order code	910925863822
Numerator – quantity per pack	1
Numerator – packs per outer box	1
Material no. (12NC)	910925863822
Net weight (piece)	2.610 kg



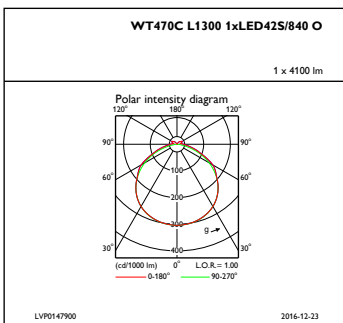
Pacific LED gen4

Dimensional drawing



Pacific LED WT470C-WT482C

Photometric data



IFPC1_WT470CL13001xLED42S840O

