

CoreLine Recessed

RC134Z CFRM-PLC WH W60L60

Coreline Recessed Acc.

Whether for a new building or renovation of an existing space, customers want lighting solutions that provide quality of light and substantial energy and maintenance savings. The new CoreLine Recessed range of LED products can be used to replace functional luminaires in general lighting applications. The process of selecting, installing and maintaining is so easy – it's a simple switch.

Product data

General Information	
Protection class IEC	-
CE mark	CE mark
Material	Steel
Angle	-
Accessory colour	White
Product Family Code	RC134Z [Coreline Recessed Acc.]

Operating and Electrical	
Input voltage	- V
Input frequency	- Hz

Mechanical and Housing	
Overall length	630 mm
Overall width	630 mm
Overall height	61 mm

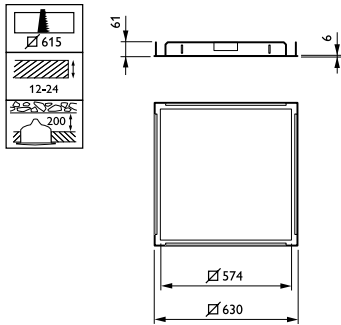
Dimensions (height x width x depth)	61 x 630 x 630 mm (2.4 x 24.8 x 24.8 in)
-------------------------------------	--

Approval and Application	
Ingress protection code	- [-]

Product Data	
Full product code	871869698722300
Order product name	RC134Z CFRM-PLC WH W60L60
EAN/UPC – product	8718696987223
Order code	98722300
Numerator – quantity per pack	1
Numerator – packs per outer box	1
Material no. (12NC)	910925864621
Net weight (piece)	2.000 kg

CoreLine Recessed

Dimensional drawing



CoreLine Recessed acc. RC134Z/RC135Z

