



LumiStreet

BGP253 LED109-4S/740 II DM50 D9 48/60A

LumiStreet Medium - LED module 10900 lm - 740 neutral white
 - Safety class II - Distribution medium 50 - Flat glass - Side-entry for diameter 48-60 mm

Many local authorities today have an outdated public lighting installation that urgently needs to be replaced, yet have only a limited budget available. We have the answer to their needs. With its compact design and modern LED architecture, LumiStreet is a versatile, cost-effective luminaire that fulfils basic functional road lighting requirements. It is made of high-quality components that ensure long lifetime and low maintenance cost. The result? A road lighting luminaire that provides effective illumination while at the same time cutting energy and maintenance bills. Core version design for high-volume projects at relatively low initial budget. Offer limited range of optics. Performer version design for customer who are preparing big renovation projects, TCO oriented.

Product data

| General Information | | Protection class IEC | Safety class II |
|-------------------------------|--|---------------------------|--|
| Lamp family code | LED109 [LED module 10900 lm] | Flammability mark | F [For mounting on normally flammable surfaces] |
| Light source colour | 740 neutral white | CE mark | CE mark |
| Light source replaceable | Yes | ENEC mark | ENEC mark |
| Number of gear units | 1 unit | Warranty period | 5 years |
| Driver/power unit/transformer | PSD [Power supply unit with DALI interface] | Outdoor optic type | Distribution medium 50 |
| Driver included | Yes | Remarks | * At extreme ambient temperatures the luminaire might automatically dim down to protect components |
| Optical cover/lens type | FG [Flat glass] | Constant light output | No |
| Luminaire light beam spread | 154° - 31° x 54° | Number of products on MCB | 11 |
| Control interface | DALI | | |
| Connection | Connection unit 5-pole | | |
| Cable | - | | |

| | |
|---------------------|-----------------------------|
| LED engine type | LED |
| Product Family Code | BGP253 [LumiStreet Medium] |

Light Technical

| | |
|--------------------------------|----|
| Upward light output ratio | 0 |
| Standard tilt angle post-top | 0° |
| Standard tilt angle side entry | 0° |

Operating and Electrical

| | |
|-------------------------------|-------------|
| Input voltage | 230 V |
| Input frequency | 50 to 60 Hz |
| Initial CLO power consumption | 0 W |
| Average CLO power consumption | [DELETE] W |
| End CLO power consumption | [DELETE] W |
| Inrush current | 46 A |
| Inrush time | 0.25 ms |
| Power factor (min.) | 0.98 |

Controls and Dimming

| | |
|----------|-----|
| Dimmable | Yes |
|----------|-----|

Mechanical and Housing

| | |
|-----------------------------|--|
| Housing material | Aluminium die-cast |
| Reflector material | Polycarbonate |
| Optic material | Polycarbonate |
| Optical cover/lens material | Polycarbonate |
| Fixation material | Aluminium |
| Mounting device | 48/60S [Side-entry for diameter 48-60 mm] |
| Optical cover/lens shape | Curved |
| Optical cover/lens finish | Clear |
| Overall length | 580 mm |
| Overall width | 353 mm |
| Overall height | 98 mm |
| Overall diameter | 0 mm |
| Effective projected area | 0.42 m ² |

| | |
|-------------------------------------|--|
| Colour | Grey |
| Dimensions (height x width x depth) | 98 x 353 x 580 mm (3.9 x 13.9 x 22.8 in) |

Approval and Application

| | |
|--|---|
| Ingress protection code | IP66 [Dust penetration-protected, jet-proof] |
| Mech. impact protection code | IK08 [5 J vandal-protected] |
| Surge protection (common/differential) | Philips standard surge protection level kV |

Initial Performance (IEC Compliant)

| | |
|--------------------------------|----------------------|
| Initial luminous flux | 9460 lm |
| Luminous flux tolerance | +/-7% |
| Initial LED luminaire efficacy | 141 lm/W |
| Init. Corr. colour temperature | 4000 K |
| Init. colour rendering index | 70 |
| Initial chromaticity | (0.38, 0.38) SDCM <5 |
| Initial input power | 67 W |
| Power consumption tolerance | +/-11% |

Application Conditions

| | |
|---------------------------|---------------|
| Ambient temperature range | -40 to +50 °C |
| Maximum dimming level | 0% (digital) |

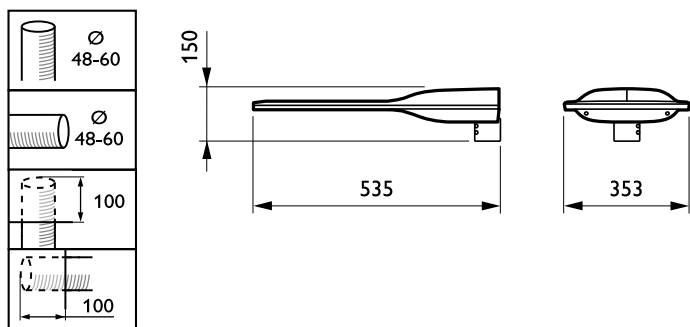
Product Data

| | |
|---------------------------------|--|
| Full product code | 871869698857200 |
| Order product name | BGP253 LED109-4S/740 II DM50 D9 48/60A |
| EAN/UPC – product | 8718696988572 |
| Order code | 98857200 |
| Numerator – quantity per pack | 1 |
| Numerator – packs per outer box | 1 |
| Material no. (12NC) | 910925866121 |
| Net weight (piece) | 6.020 kg |



Warnings and Safety

Dimensional drawing



LumiStreet Medium BGP/BGS253

