



# LumiStreet

## BGP253 LED119-4S/740 II DM50 D9 48/60A

LumiStreet Medium - LED module, system flux 12000 lm - 740 neutral white - Safety class II - Distribution medium 50 - Flat glass - Side-entry for diameter 48-60 mm

Many local authorities today have an outdated public lighting installation that urgently needs to be replaced, yet have only a limited budget available. We have the answer to their needs. With its compact design and modern LED architecture, LumiStreet is a versatile, cost-effective luminaire that fulfils basic functional road lighting requirements. It is made of high-quality components that ensure long lifetime and low maintenance cost. The result? A road lighting luminaire that provides effective illumination while at the same time cutting energy and maintenance bills. Core version design for high-volume projects at relatively low initial budget. Offer limited range of optics. Performer version design for customer who are preparing big renovation projects, TCO oriented.

### Product data

General Information		Protection class IEC	Safety class II
Lamp family code	LED120S [ LED module, system flux 12000 lm]	Flammability mark	F [ For mounting on normally flammable surfaces]
Light source colour	740 neutral white	CE mark	CE mark
Light source replaceable	Yes	ENEC mark	ENEC mark
Number of gear units	1 unit	Warranty period	5 years
Driver/power unit/transformer	PSD [ Power supply unit with DALI interface]	Outdoor optic type	Distribution medium 50
Driver included	Yes	Remarks	* At extreme ambient temperatures the luminaire might automatically dim down to protect components
Optical cover/lens type	FG [ Flat glass]	Constant light output	No
Luminaire light beam spread	154° - 31° x 54°	Number of products on MCB	11
Control interface	DALI		
Connection	Connection unit 5-pole		
Cable	-		

LED engine type	LED
Product Family Code	BGP253 [ LumiStreet Medium]

## Light Technical

Upward light output ratio	0
Standard tilt angle post-top	0°
Standard tilt angle side entry	0°

## Operating and Electrical

Input voltage	230 V
Input frequency	50 to 60 Hz
Initial CLO power consumption	[DELETE] W
Average CLO power consumption	[DELETE] W
End CLO power consumption	[DELETE] W
Inrush current	46 A
Inrush time	0.25 ms
Power factor (min.)	0.98

## Controls and Dimming

Dimmable	Yes
----------	-----

## Mechanical and Housing

Housing material	Aluminium die-cast
Reflector material	Polycarbonate
Optic material	Polycarbonate
Optical cover/lens material	Polycarbonate
Fixation material	Aluminium
Mounting device	48/60S [ Side-entry for diameter 48-60 mm]
Optical cover/lens shape	Curved
Optical cover/lens finish	Clear
Overall length	580 mm
Overall width	353 mm
Overall height	98 mm
Overall diameter	0 mm
Effective projected area	0.42 m <sup>2</sup>

Colour	Grey
Dimensions (height x width x depth)	98 x 353 x 580 mm (3.9 x 13.9 x 22.8 in)

## Approval and Application

Ingress protection code	IP66 [ Dust penetration-protected, jet-proof]
Mech. impact protection code	IK08 [ 5 J vandal-protected]
Surge protection (common/differential)	Philips standard surge protection level kV

## Initial Performance (IEC Compliant)

Initial luminous flux	10320 lm
Luminous flux tolerance	+/-7%
Initial LED luminaire efficacy	139 lm/W
Init. Corr. colour temperature	4000 K
Init. colour rendering index	70
Initial chromaticity	(0.38, 0.38) SDCM <5
Initial input power	74 W
Power consumption tolerance	+/-11%

## Application Conditions

Ambient temperature range	-40 to +50 °C
Maximum dimming level	0% (digital)

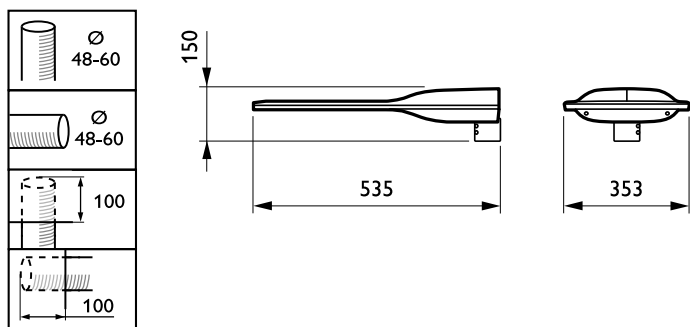
## Product Data

Full product code	871869698858900
Order product name	BGP253 LED119-4S/740 II DM50 D9 48/60A
EAN/UPC – product	8718696988589
Order code	98858900
Numerator – quantity per pack	1
Numerator – packs per outer box	1
Material no. (12NC)	910925866164
Net weight (piece)	6.020 kg



## Warnings and Safety

### Dimensional drawing



LumiStreet Medium BGP/BGS253

